

pottery barn kids

ROADSTER BED TRUNDLE

PRE-ASSEMBLY:

- Remove all parts and hardware from the box and lay out on a clear carpeted or scratch-free work surface. (The shipping box provides an ideal work surface), this will avoid damaging any parts during assembly. Do not dispose of any contents until assembly is completed to avoid accidentally discarding small parts or hardware.
- Two people recommended for ease of assembly.
- Use the parts and hardware lists to identify and separate each of the pieces included prior to starting assembly.
- The illustrations provided allow for easier assembly when used in conjunction with the assembly instructions.
- Note: Do not fully tighten all bolts until all parts are in place. Failure to follow these instructions may cause the bolts to misalign during assembly.
- If using power tools to aid in assembly please use caution. Power tools can damage hardware or split wood.

TOOLS REQUIRED:

- Phillips head screw driver (Not included)

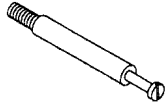


PARTS INCLUDED:

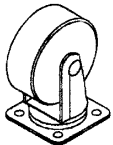
- (2) Long Side Rails w/wheel
- (2) Short Side Rails
- (1) Bottom board

HARDWARE INCLUDED:

- (8) Cam Bolts (A)



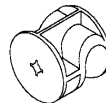
- (6) Swivel Casters (C)



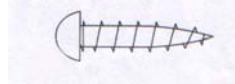
- (2) Wooden Connector pin (E)



- (8) Cam Locks (B)

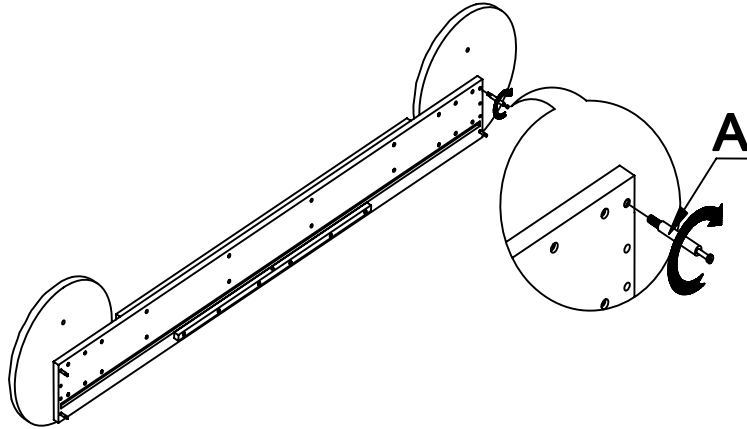


- (24) Pan head screws (D)

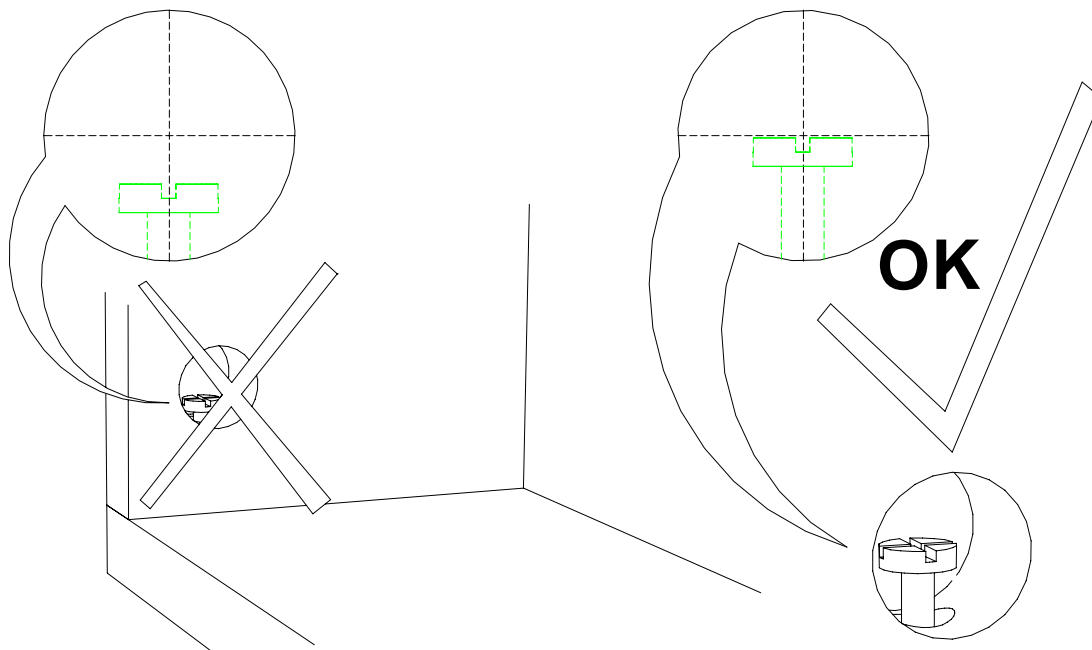


ASSEMBLY INSTRUCTIONS:

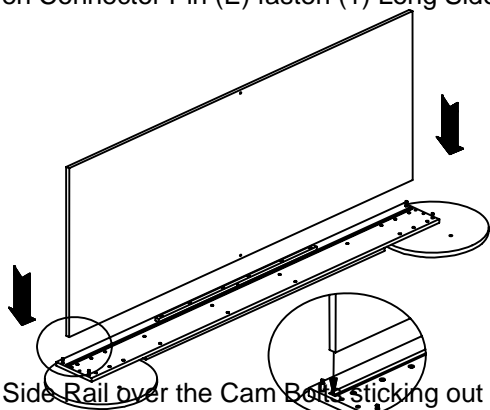
1. Screw (2) Cam Bolts (A) into each side of one Long Side Rail.



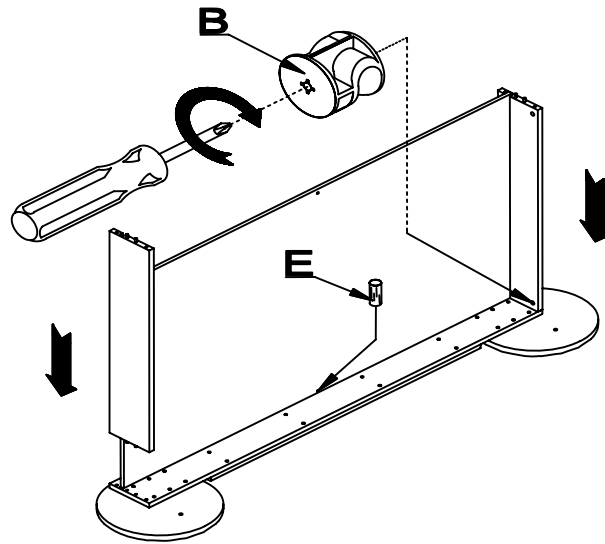
Note: In order for the cam lock system to work properly, it is important for the head of the cam bolt to be centered in the hole like the “OK” picture. If the bolt is secured all the way down into the pre-drilled hole, the head may be too low for the cam to grab or lock. The bolt may need to be backed out to center the head.



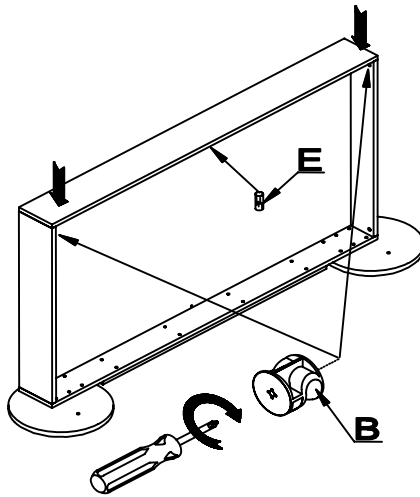
2. Using (1) Wooden Connector Pin (E) fasten (1) Long Side Rail to the Bottom Board.



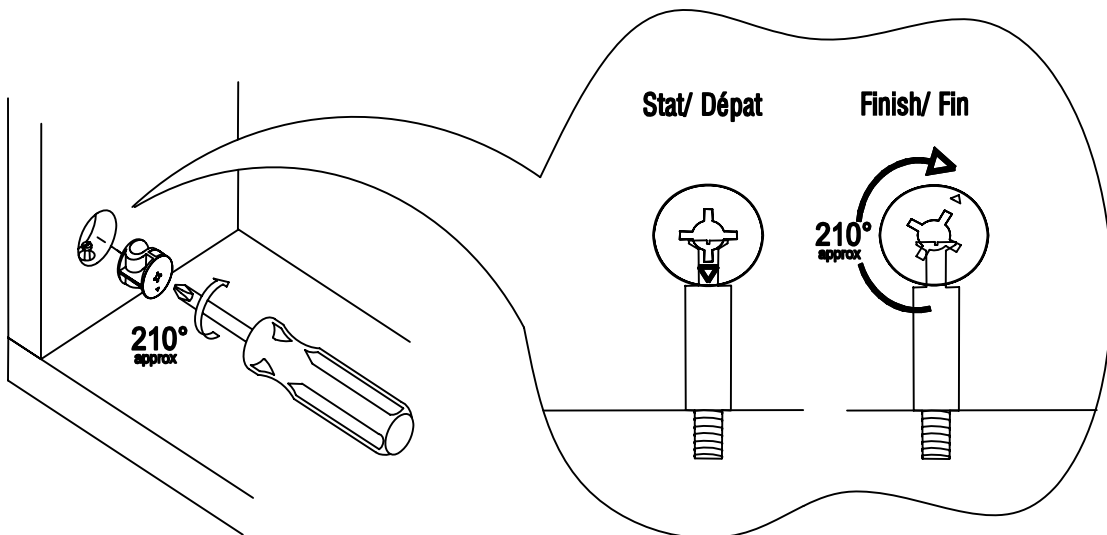
3. Insert (2) Short Side Rail over the Cam Bolts sticking out of the Long Side Rail.



4. Repeat step 2 with the remaining side of the Long Side Rail.
5. Insert Cam Locks (B) into large pre-drilled holes on the interior of Short Side Rail.
6. Turn the Cam Locks (B) clock-wise with a Phillips head screwdriver until tight. You will feel them “catch” on the Cam Bolts.



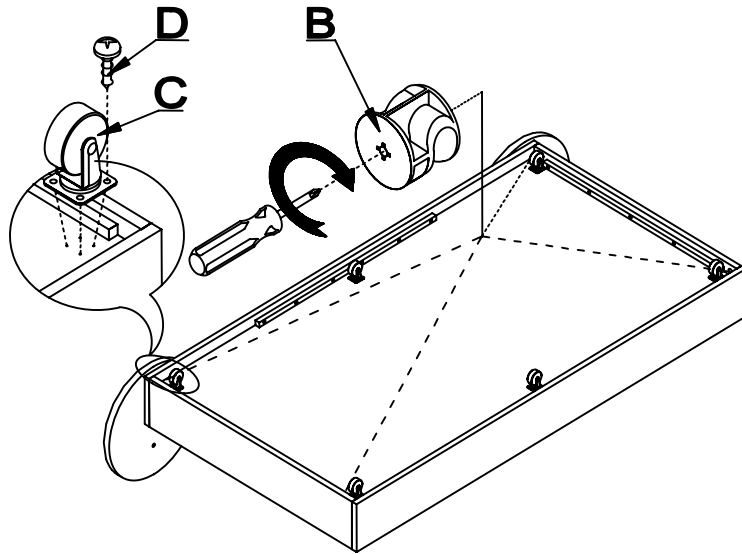
Lock cam lock in place by turning them approx. 210°



7. Turn the assembly upside down and repeat step 6.

8. Using (4) Pan head screws (D) for each Caster (C) fasten the casters to the bottom corners of the Bottom Board using

the pre-drilled holes as guides.



CARE:

- Dust with a soft dry cloth
- Use furniture wax as needed
- Avoid abrasives and solvent cleaners
- Wipe up spills immediately

Thank you for your purchase.
stores | catalog | www.potterybarnkids.com

