

# pottery barn kids

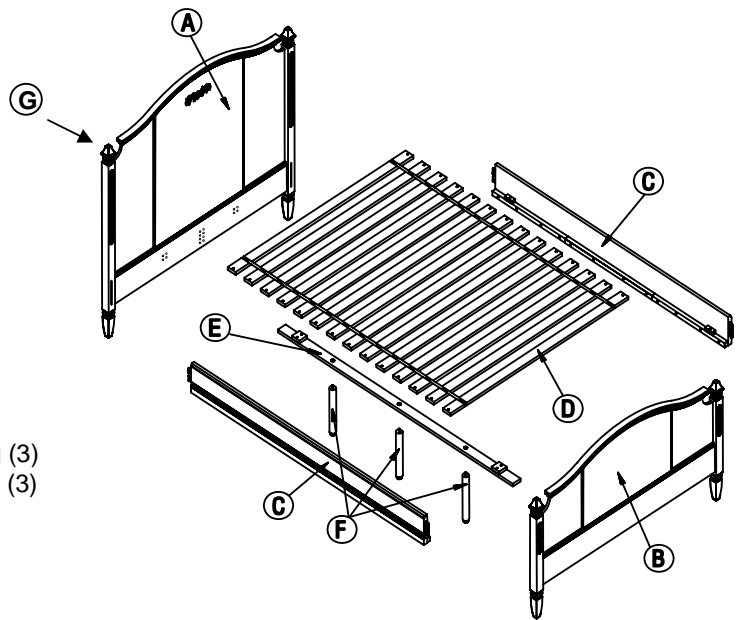
## MADELINE QUEEN BED

**PRE-ASSEMBLY:**

- Read all instructions before beginning assembly. The illustrations provided allow for easier assembly when used in conjunction with the assembly instructions.
- For your safety and ease, assembly by two adults is recommended.
- Remove all parts and hardware from the box and lay out on a clean, carpeted, or scratch-free work surface. Use care as some parts or hardware may have sharp points or edges.
- Do not dispose of any contents until assembly is completed to avoid accidentally discarding small parts or hardware.
- Use the parts and hardware lists to identify and separate each of the pieces included.
- Note: Do not fully tighten all bolts until all parts are in place. Failure to follow these instructions may cause the bolts to misalign during assembly.
- The use of power tools for assembly is not recommended. Power tools can damage hardware or split wood.

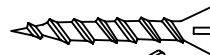
**PARTS INCLUDED:**

- A - Headboard (1)
- B - Footboard (1)
- C - Side rail (2)
- D - Slat Roll (1)
- E - Slat Support (1)
- F1- Long Support Leg for Higher Setting (3)
- F2- Short Support Leg for Lower Setting (3)
- G - Finials (4)

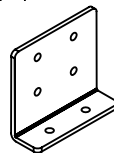


**HARDWARE INCLUDED:**

H - Large Phillips Head Screws 8X25mm (x32)



I - "L" Shape Slat Bracket (x2)

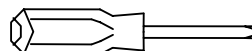


J - Small Phillips Head Screws (x12)



**TOOLS REQUIRED:**

Phillips Head Screw driver (not included)



## ASSEMBLY INSTRUCTIONS:

1. Attach the side rails (C) to the Headboard (A) and Footboard (B) by inserting the hooked ends into the corresponding slots.

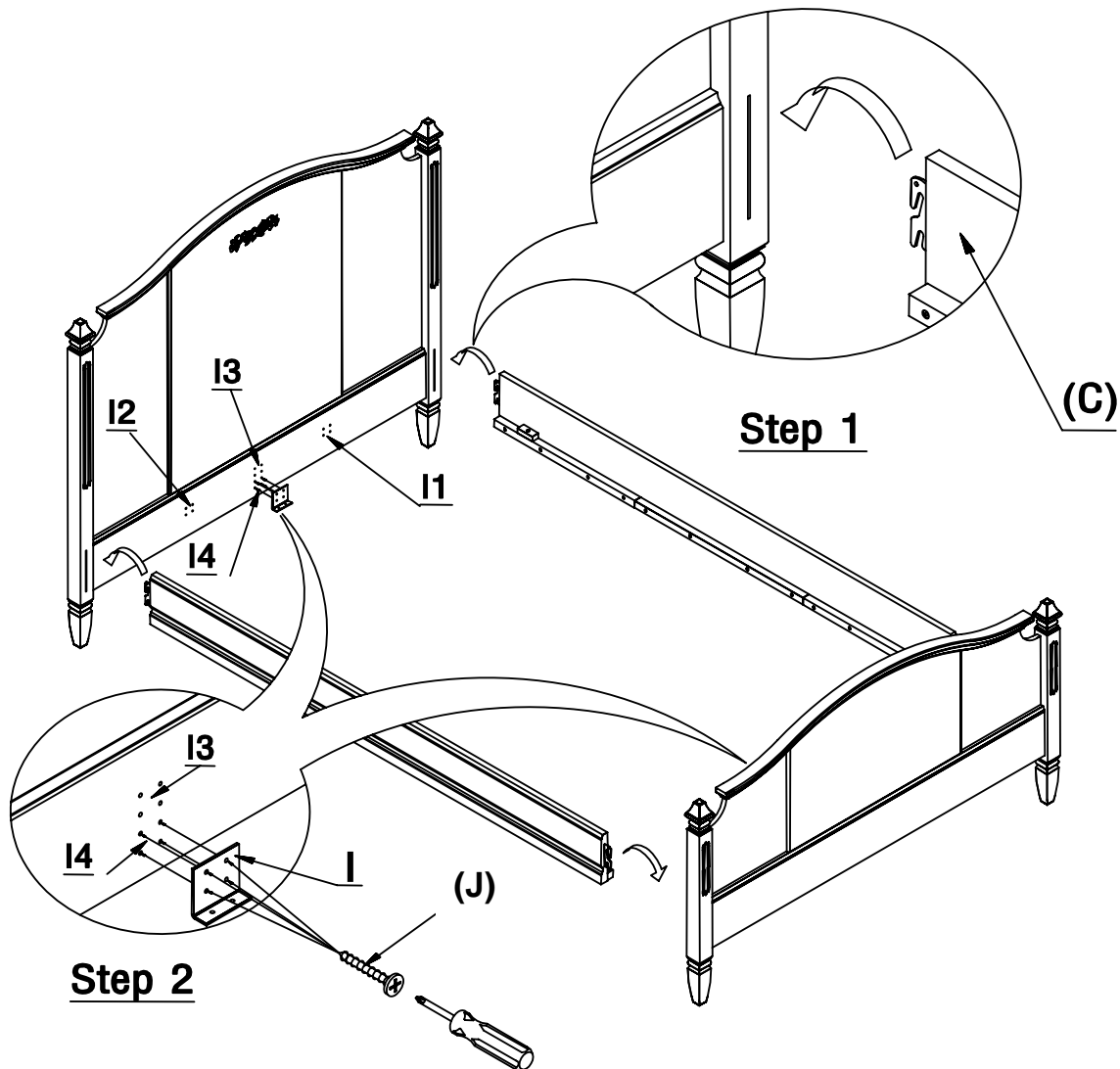
**NOTE:** Side rails (C) are adjustable to two heights.

- If you are using a **trundle**, or are assembling the bed for to be used with a **mattress only** (no box spring), please insert side rails into upper slots.
- If you are using a **mattress and box spring**, please insert side rails into lower slots.

2. Prepare to assemble Slat Support Rail (E), by attaching the "L" Shape Slat Bracket (I) into the Headboard (A) and Footboard (B) using the Small Phillips Head Screws (J) as shown in Figure 1.

**NOTE:** The Slat Support Rail (E) is adjustable to four possible positions:

- If you are using the **trundle**, the Slat Support Rail (E) must be placed either on the right (position I1) or left (position I2) of headboard / footboard to allow the trundle to slide under the bed (See Figure 1). The Slat support Rail (E) should be placed on right (I1) if the trundle will slide out to the left of the bed, or on the left (I2) if the trundle will slide out to right side of bed (See Figure 2 on Pg. 3).
- If you are **NOT** using the trundle, Slat Support Rail (E) must be positioned in I3 (for use with **mattress only**) or I4 (for use with **mattress and box spring**).



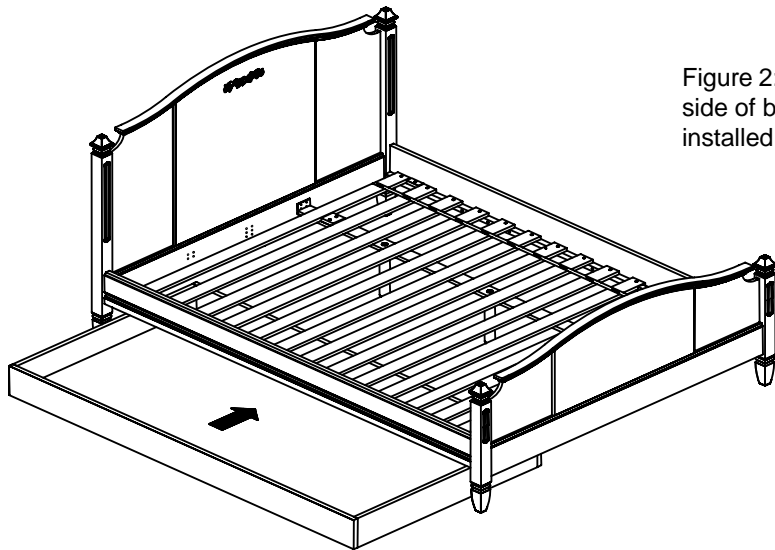
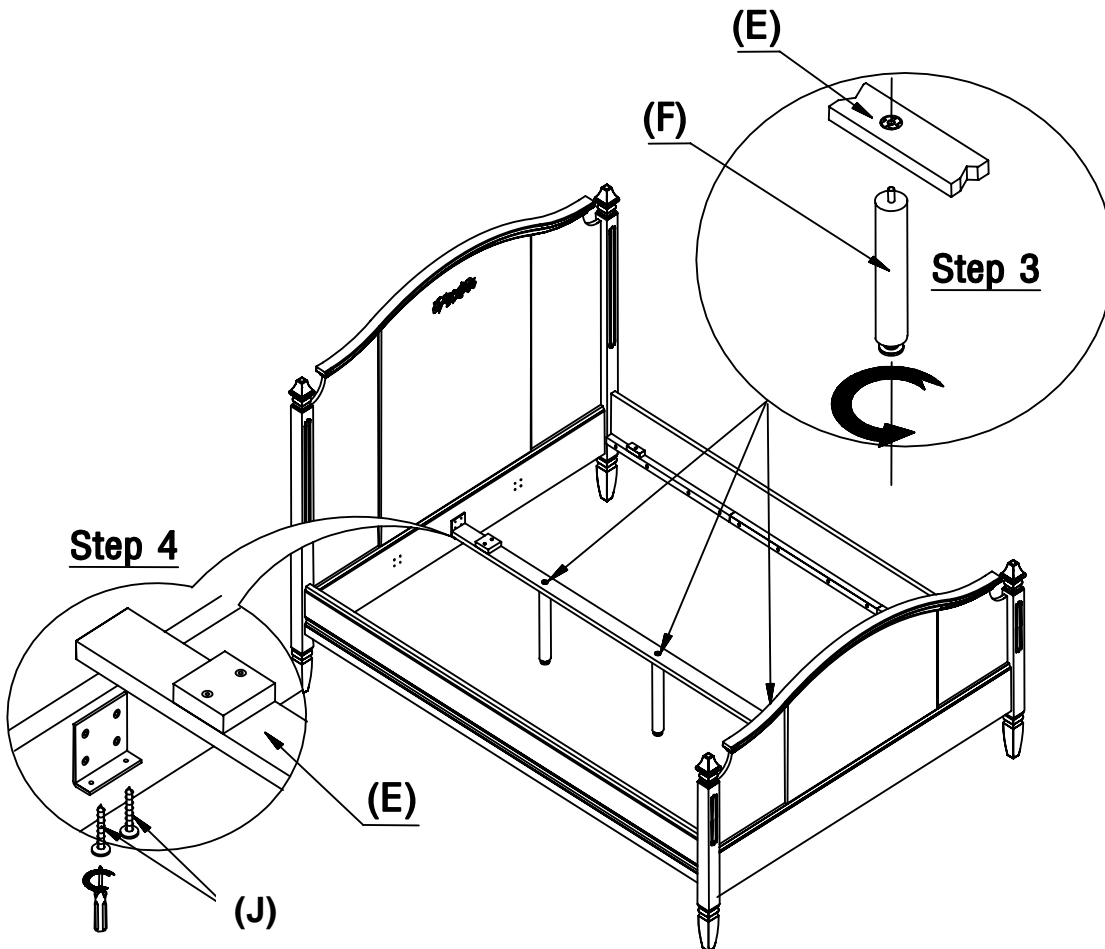
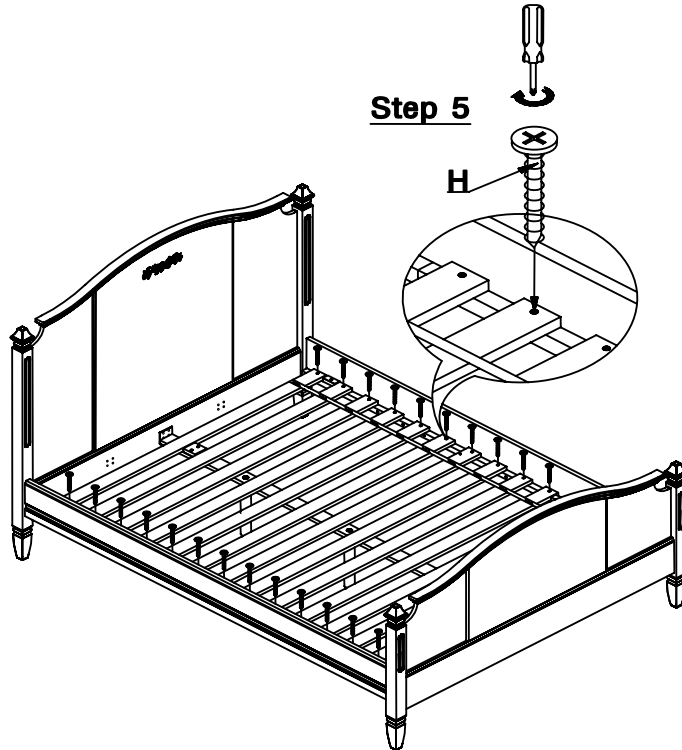


Figure 2: Trundle slides out to LEFT side of bed, if Slat Support (E) is installed at position I1.

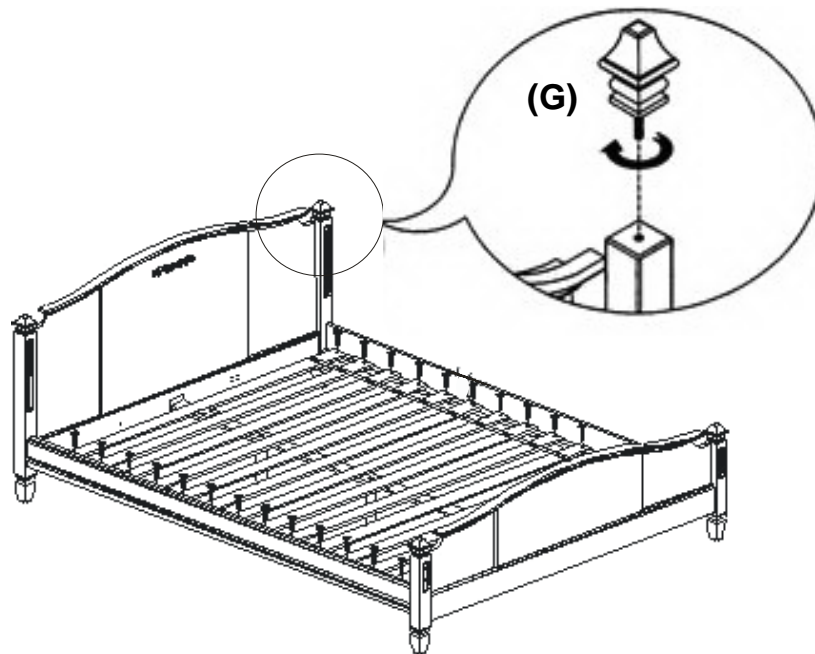
3. Screw the Support Legs (F1/F2) into the Slat Support Rail (E) and ensure all are tight. If the Support Rail (E) is installed in the Higher Settings (I1, I2 or I3), use the Long Support Legs (F1). If the Support Rail (E) is installed in the Lower Setting (I4), use the Short Support Legs (F2).
4. Attach the Slat Support Rail (E) to the "L" Shape Bracket (I) using the Small Phillips head screws (J) (Figure 3).



5. Lay the Slat Roll (D) on the Side Rails (C) and fasten with Large Phillips Head Screws (H) using the Phillips Head screwdriver (Figure 4).



6. Tighten the Finials (G) onto the tops of the bedposts.



**CARE INSTRUCTIONS:**

- Dust often using a clean, soft, dry lint-free cloth.
- Blot spills immediately, and wipe with a clean, damp, cloth.
- We do not recommend the use of chemical cleansers, abrasives, or furniture polish on our lacquered finish.

Thank you for your purchase  
stores | catalog | [www.potterybarnkids.com](http://www.potterybarnkids.com)  
USA 1.800.290.8181