

# pottery barn kids

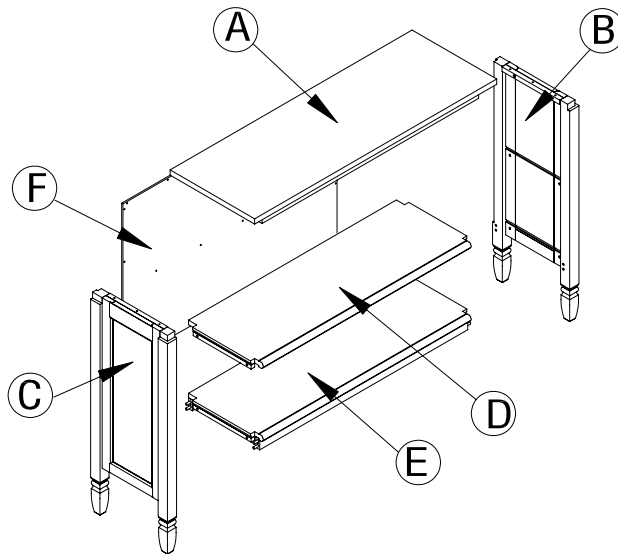
## MADELINE 2 SHELF BOOKCASE

**PRE-ASSEMBLY:**

- Read all instructions before beginning assembly. The illustrations provided allow for easier assembly when used in conjunction with the assembly instructions.
- For your safety and ease, assembly by two adults is recommended.
- Remove all parts and hardware from the box and lay out on a clean, carpeted, or scratch-free work surface. Use care as some parts or hardware may have sharp points or edges.
- Do not dispose of any contents until assembly is completed to avoid accidentally discarding small parts or hardware.
- Use the parts and hardware lists to identify and separate each of the pieces included.
- Note: Do not fully tighten all bolts until all parts are in place. Failure to follow these instructions may cause the bolts to misalign during assembly.
- The use of power tools for assembly is not recommended. Power tools can damage hardware or split wood.

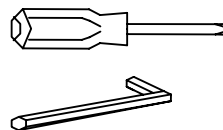
**PARTS INCLUDED:**

- A – Top panel (x1)
- B – Right side panel (x1)
- C – Left side panel (x1)
- D – Shelf (x1)
- E – Bottom Panel (x1)
- F – Back panel (x1)



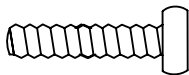
**TOOLS REQUIRED:**

- Phillips head screwdriver (not included)
- G - Allen Key (included)



**HARDWARE ENCLOSED:**

- H –Allen Bolts 1/4"x1-1/8" x15mm (x8)



- I –Phillips head screws 8x32mm (x8)



- J – Phillips head screws 8x25mm (x6)



- K – Phillips head screws 6x19mm (x24)



## ASSEMBLY INSTRUCTIONS

1. On a soft, scratch-free surface such as carpet or rug, lay the Right side panel (B) down as shown. Attach the Shelf (D) and Bottom panel (E) to the Right side panel (B) using the Allen Bolts (H) and Allen Key (G). (Figure 1)

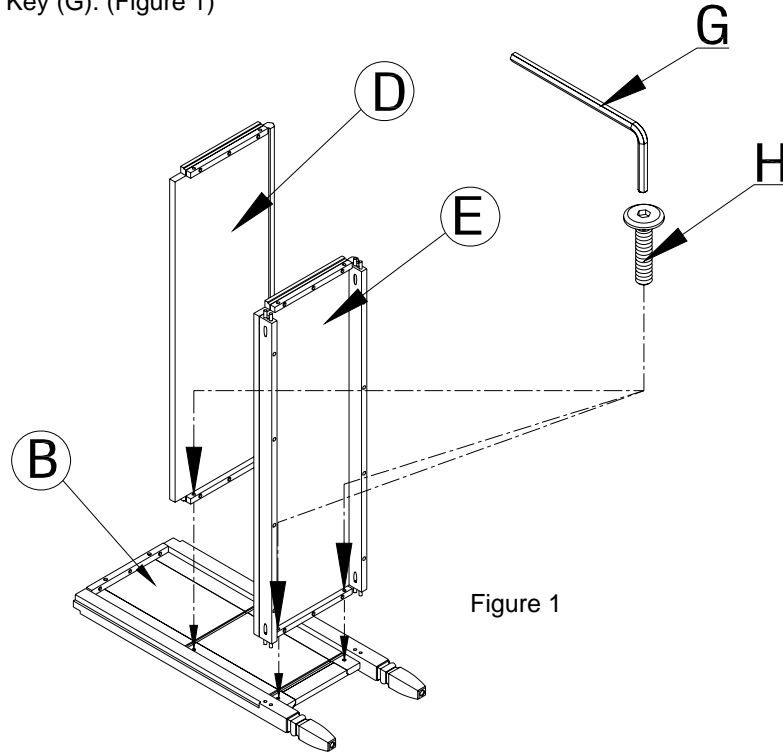


Figure 1

2. Attach the Left side panel (C) as shown. Secure the Shelf (D) and Bottom panel (E) to the Left side panel (C) using the Allen Bolts (H) and Allen Key (G) (Figure 2).
3. Affix the Bottom panel (E) to both Right side panel (B) and Left side panel (C) using Phillips head screw 8x32mm (I). (Figure 3).

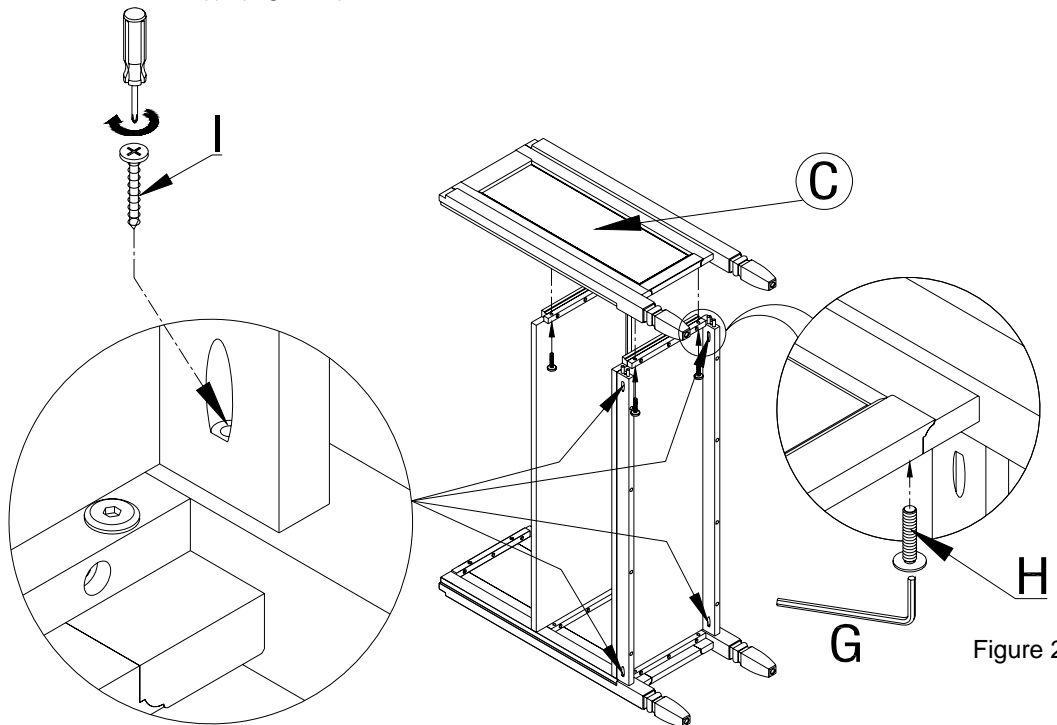
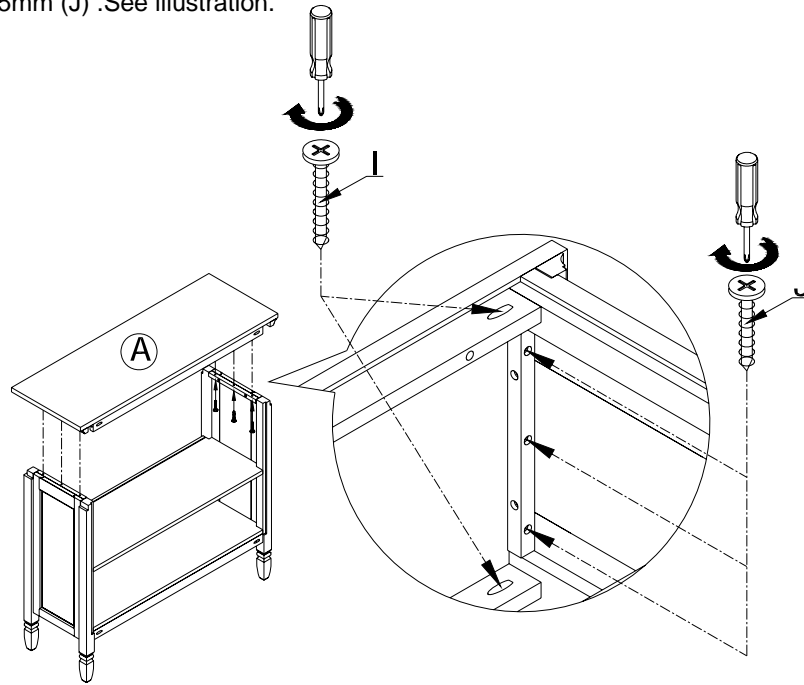


Figure 2

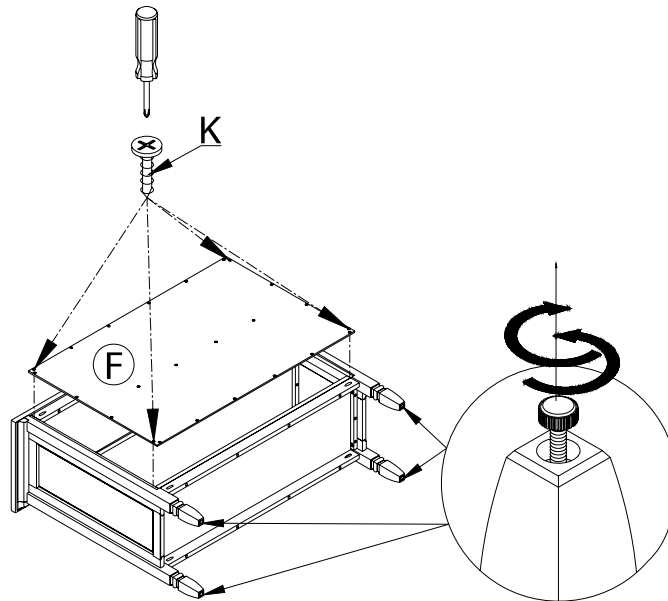
Figure 3

4. Attach the Top panel (A) to the bookcase using the Phillips head screw 8x32mm (I) and Phillips head screws 8x25mm (J) .See illustration.



5. Using two people carefully lay the bookcase down on a soft, scratch-free surface as shown in illustration. Attach the Back panel (F) to the two grooves in the Top panel. When the Back panel is secured properly, fasten the Back panel to the Bookcase using the screws 6x19mm (K).

**Caution:** Adjust levelers at feet to ensure the bookcase is stable.



**CARE INSTRUCTIONS:**

- Dust often using a clean, soft, dry, lint-free cloth.
- Blot spills immediately, and wipe with a clean, damp, cloth.
- We do not recommend the use of chemical cleansers, abrasives, or furniture polish on our lacquered finish.

Thank you for your purchase.  
stores | catalog | [www.potterybarnkids.com](http://www.potterybarnkids.com)  
USA 1.800.290.8181