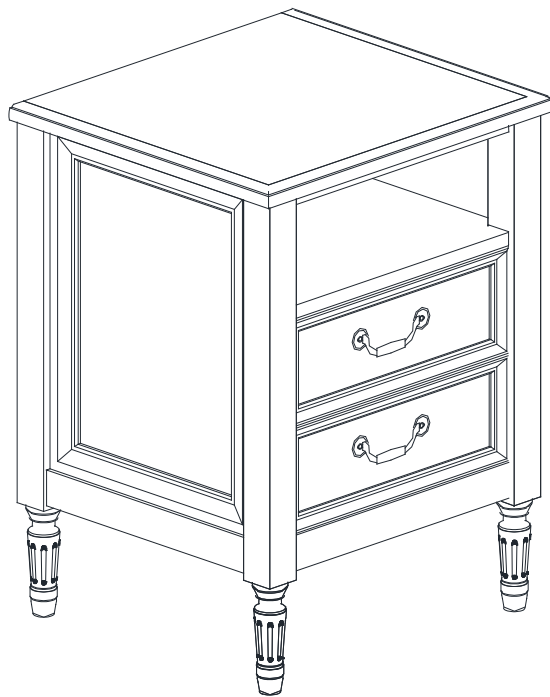


# pottery barn kids

## **BLYTHE NIGHTSTAND** **ASSEMBLY INSTRUCTIONS**



Date: 2013-April-03  
Rev:

[www.potterybarnkids.com](http://www.potterybarnkids.com)

**Important Safety Instructions:**

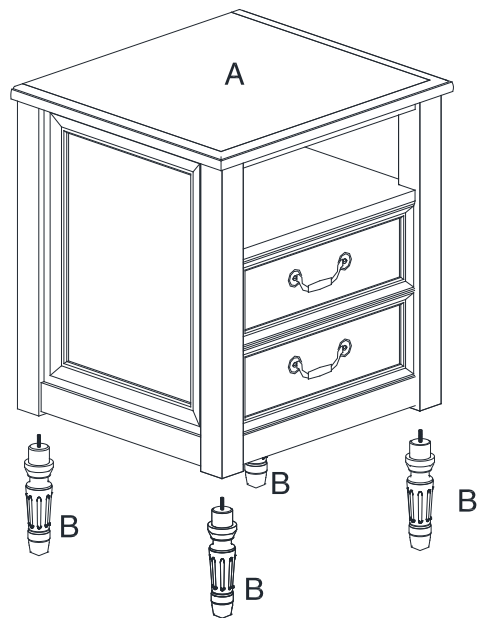
- Please read all instructions carefully before assembling.
- For your safety, assembly by two or more adults is strongly recommended.
- Keep instructions for future use.
- Use only vendor supplied hardware to assemble. Using unauthorized hardware could jeopardize the structural integrity of the item.

**Pre-assembly:**

- Remove all parts and hardware from the box and lay out on a clear carpeted or scratch-free work surface, as this will avoid damaging parts during assembly. The shipping box provides an ideal work surface.
- Do not dispose of any packaging or contents of the shipping carton until assembly is completed to avoid accidentally discarding small parts or hardware.
- Use the parts and hardware lists below to identify and separate each of the pieces included.
- The illustrations provided allow for easier assembly when used in conjunction with the assembly instructions.
- The use of power tools to aid in assembly is not recommended. Power tools can damage hardware and split wood.

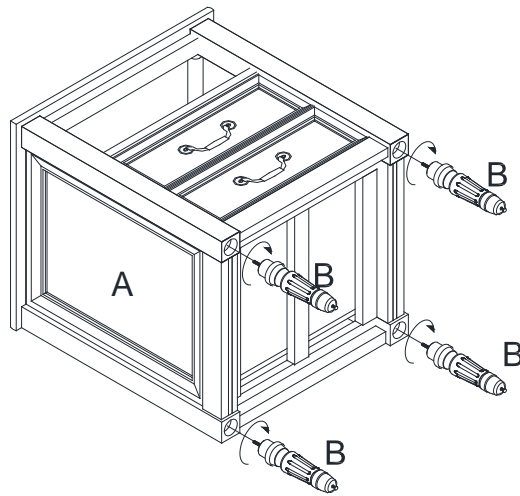
**Parts Included:**

- (A) Nightstand Case- 1pc
- (B) Turned Leg - 4pcs

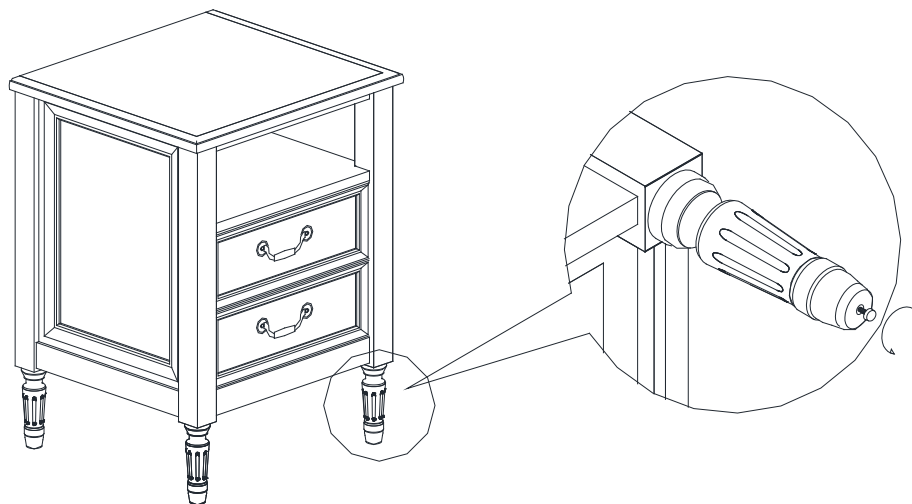


### Assembly Instruction Steps:

1. Lay the Nightstand Case (A) down into soft flat surface. Assemble the Turned Leg (B) into Nightstand Case and tighten them.



2. Place Nightstand Case into stand up position. If the nightstand doesn't sit level, please adjust the levelers under legs.



### Care Instructions:

- Dust often using a clean, soft, dry and lint-free cloth.
- Blot spills immediately and wipe with a clean, damp, cloth.
- We do not recommend the use of chemical cleansers, abrasives or furniture polish on our lacquered finish.
- Hardware may loosen over time. Periodically check to make sure all connections are tight. Re-tighten if necessary.

Thank you for your purchase  
Stores | catalog | [www.potterybarnkids.com](http://www.potterybarnkids.com)  
USA 1.800.290.8181