

# pottery barn kids

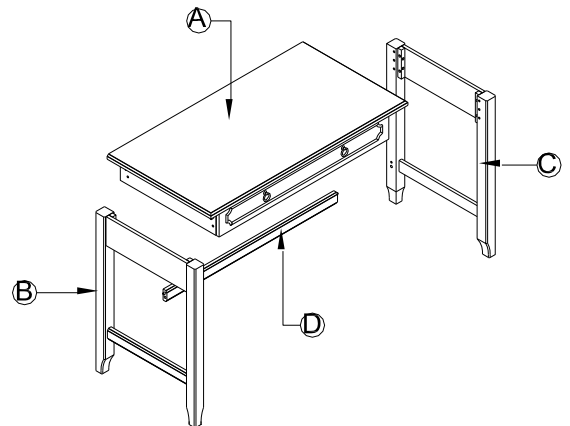
## REGENCY WRITING DESK

### PRE-ASSEMBLY:

- Please read all instructions before beginning assembly.
- For your safety and ease, assembly by two adults is recommended.
- Remove all parts and hardware from box and lay out on a carpeted or scratch-free work surface, as this will avoid damaging any parts during assembly. The shipping box provides an ideal work surface.
- Do not dispose of any contents until assembly is completed to avoid accidentally discarding small parts or hardware.
- Use the parts and hardware lists to identify and separate each of the pieces included.
- Note: Do not fully tighten all bolts until all parts are in place. Failure to follow these instructions may cause the bolts to misalign during assembly.
- The use of power tools for assembly is not recommended. Power tools can damage hardware or split wood.

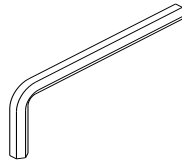
### PARTS INCLUDED:

- A – Top panel with drawer (x1)
- B – Left side panel (x1)
- C – Right side panel (x1)
- D – Stretcher (x1)

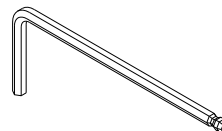


### HARDWARE ENCLOSED:

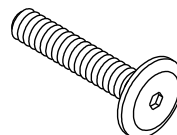
- E– Allen Key 6x84x30mm (x1)



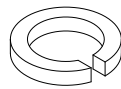
- F- Allen Key with Ball tip 4x95x30mm (x1)



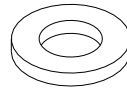
- G – Allen Bolt 1/4"x25x13mm (x8)



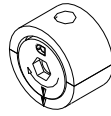
H – Spring Washer 1/4"x10x1.5mm (x8)



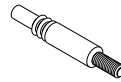
I – Flat Washer 1/4"x12x1.5mm (x8)



J – Cam Lock 15x25mm (x2)



K – Cam Lock Pin M6x8.5x56mm (x2)

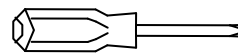


### TOOLS REQUIRED:

Phillips head screwdriver (not included)

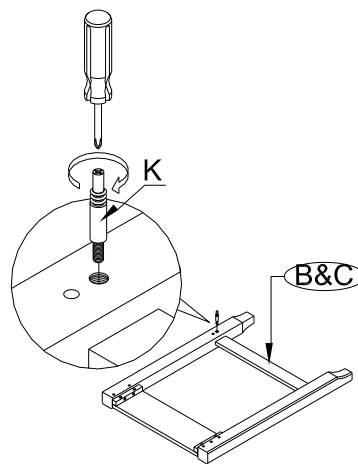
Allen Key (included)

Allen Key with ball tip (included)

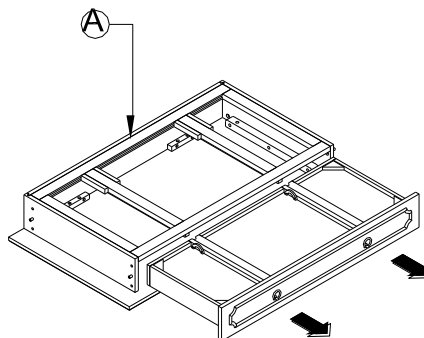


### ASSEMBLY INSTRUCTIONS:

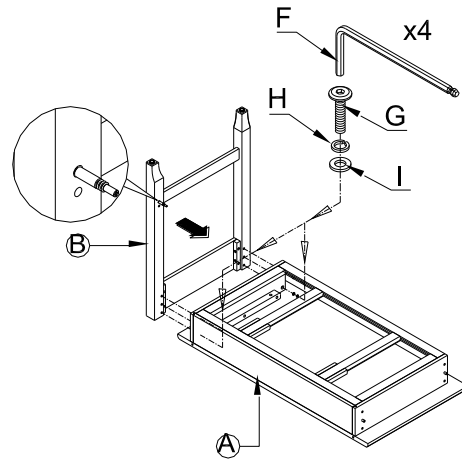
1. Insert Cam Lock Pin (K) to Side Panels (C&D) then rotate clockwise by Phillips head screwdriver as shown below.



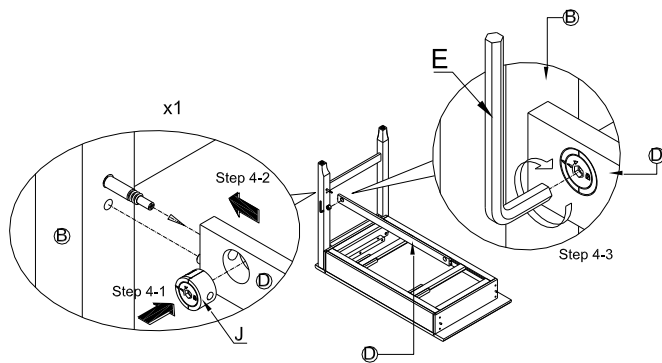
2. Lay Top Panel with Drawer (A) upside down, removing the drawer box as shown below.



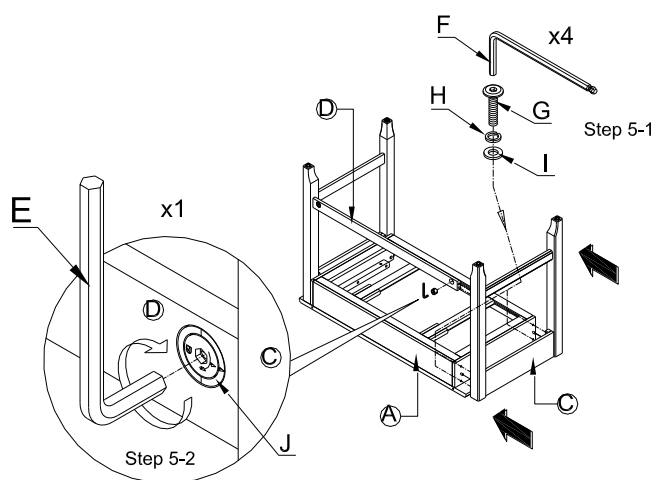
- Attach Left side panel (B) to Top Panel with Drawer (A) with Allen Bolts 1/4"x25x13mm (G), Spring Washers 1/4"x10x1.5mm (H) and Flat Washers 1/4"x12x1.5mm (I) as shown below, tighten by the Allen Key with ball tip (F).



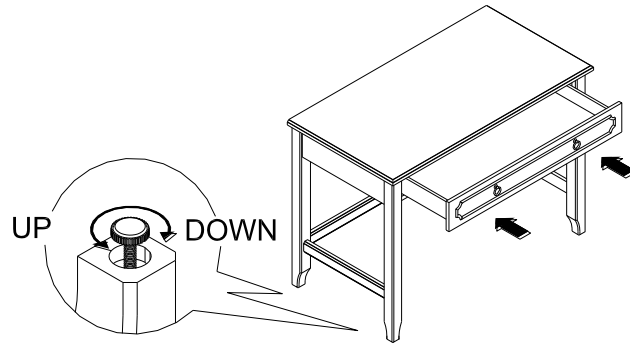
- Attach the Stretcher (D) to Left side panel (B), align the Cam lock pin (K) to Cam lock (J) then use Allen key (E) rotate clockwise as shown below.



- Repeat step 3 (as step 5-1 shown) and step 4 (as step 5-2 shown) to assemble Right side panel (C). Then fully tighten all Allen bolts (G) and Cam lock (J)



- Upright the desk and reinsert the drawer box back to the Top panel with drawer (A) as shown below. Ensure you completely insert the drawer box with adequate force. Adjust levelers on the feet to make the unit flush with the floor.



**CARE INSTRUCTIONS:**

- Dust often using a clean, soft, dry lint-free cloth.
- Blot spills immediately, and wipe with a clean, damp, cloth.
- We do not recommend the use of chemical cleansers, abrasives or furniture polish.

Thank you for your purchase  
stores | catalog | [www.potterybarnkids.com](http://www.potterybarnkids.com)

USA 1.800.290.8181