

pottery barn kids

KENDALL LOFT BED



WARNING

Failure to follow these warnings and assembly instructions could result in serious injury or death.

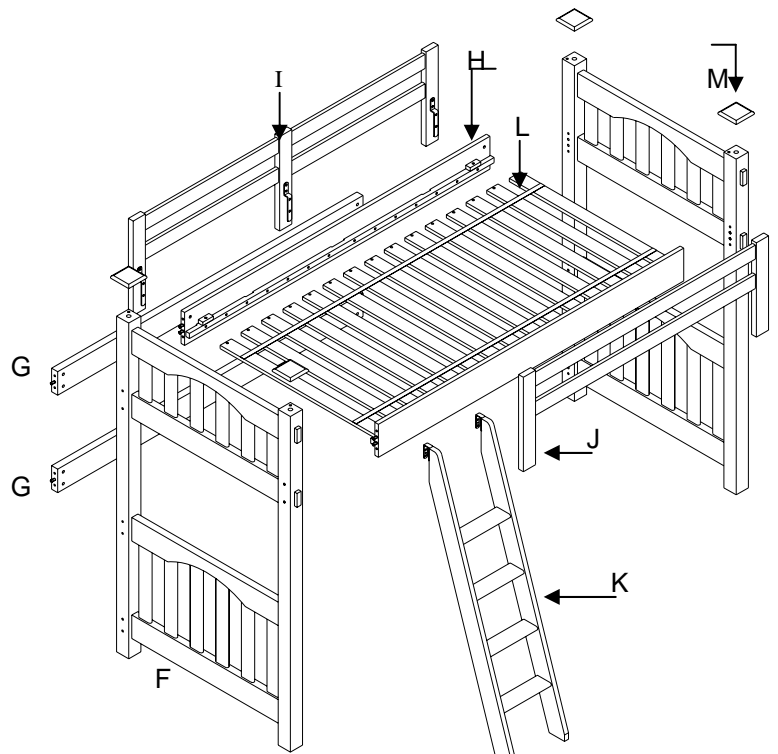
- Read all instructions before assembling bunk bed. **KEEP INSTRUCTIONS FOR FUTURE USE.**
- Before each usage or assembly, inspect bunk bed for damaged hardware, loose joints, missing parts or sharp edges. **DO NOT** use bunk bed if any parts are missing or broken. Telephone or write to Pottery Barn Kids for replacement parts and instructional literature if needed. **DO NOT** substitute parts.
- Follow the information on the warnings appearing on the upper bunk end structure and on the carton. **DO NOT REMOVE WARNING LABEL FROM THE BED.**
- Never allow a child under 6 years on upper bunk.
- Use only mattress which is 74"-75" long and 37.5"-38.5" wide on upper bunk.
- Ensure thickness of mattress does not exceed 9" and mattress is at least 5" below upper edge of guardrails.
- Always use the recommended size mattress or mattress support, or both, to help prevent the likelihood of entrapment or falls.
- Surface of mattress must be at least 5 inches (127 mm) below the upper edge of the guardrails.
- Periodically check and ensure that the guardrail, ladder and other components are in their proper position, free from damage, and that all connectors are tight.
- Do not allow horseplay on or under the bed and prohibit jumping on the bed.
- Always use the ladder for entering and leaving the upper bunk.
- Use of a night light may provide added safety precautions for a child using the upper bunk.
- Always use guardrails on both long sides of the upper bunk.
- Prohibit more than one person on the upper bunk.
- If the bunk bed will be placed next to a wall, the guardrail that runs the full length of the bed should be placed against the wall to prevent entrapment between the bed and the wall.
- If refinishing, use a non-toxic finish specified for children's products.
- **STRANGULATION HAZARD** - Never attach or hang items to any part of the bunk bed that are not designed for use with the bed; for example, but not limited to, hooks, belts, and jump ropes.
- The use of a water or sleep flotation mattress is prohibited.

PRE-ASSEMBLY:

- Remove all parts and hardware from the box and lay out on a clean, carpeted, or scratch-free work surface, as this will avoid damaging any parts during assembly. The shipping box provides an ideal work surface. Do not dispose of any contents until assembly is completed to avoid accidentally discarding small parts or hardware.
- Use the parts and hardware lists above to identify and separate each of the pieces included.
- The illustrations provided allow for easier assembly when used in conjunction with the assembly instructions.
- Note: Do not fully tighten all bolts until all parts are in place. Failure to follow these instructions may cause the bolts to misalign during assembly.
- If using power tools to aid in assembly please use caution. Power tools can damage hardware or split wood.

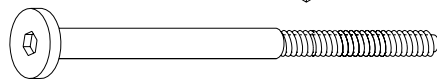
PARTS INCLUDED:

- (F) Head & footboard – 2pcs
- (G) Back rail – 2pcs
- (H) Side rail - 2pcs
- (I) Back guardrail – 1pc
- (J) Front guardrail – 1pc
- (K) Ladder – 1pc
- (L) Bed slats – 1Set
- (M) Top finials - 4pcs

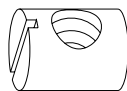


HARDWARE ENCLOSED:

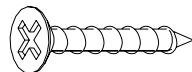
- (A) 5/16"x5" Allen Bolts - 16 pcs



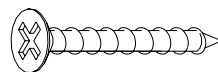
- (B) 5/16" Barrel Nuts - 16 pcs



- (C) #8x20mm Phillips head Screws - 17 pcs



- (D) #8x30 Phillips head Screws - 30 pcs



- (E) 5mm Allen key - 1pc

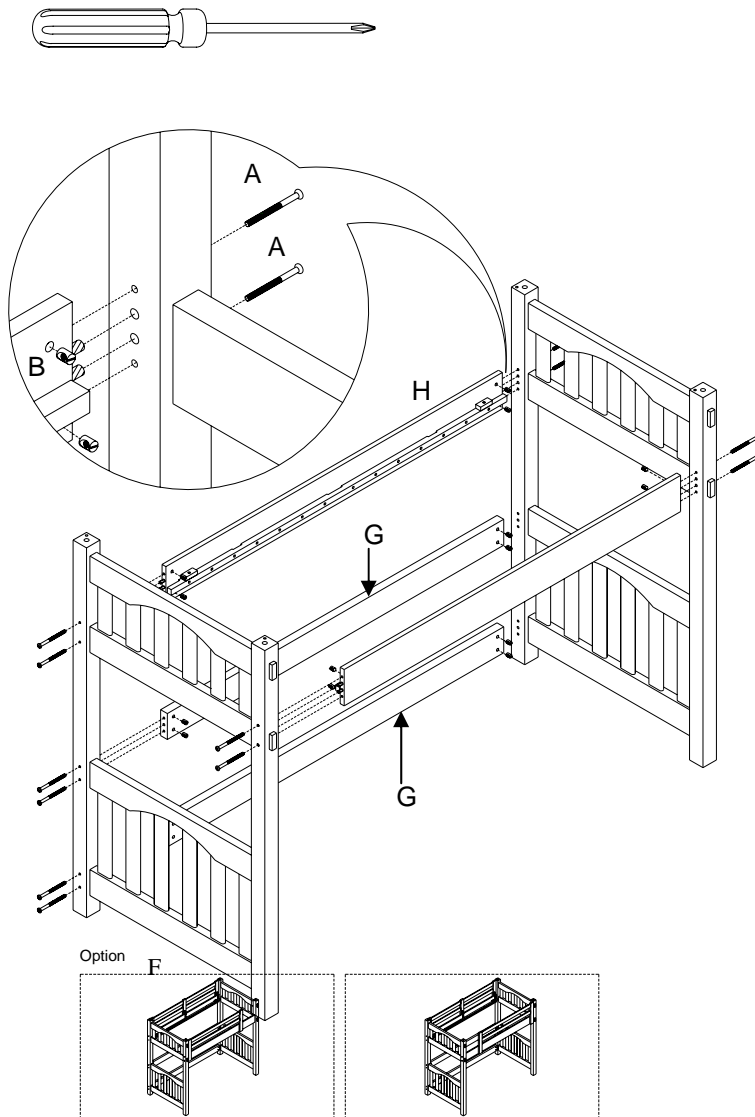


TOOLS REQUIRED:

Phillips head screw driver (not included)

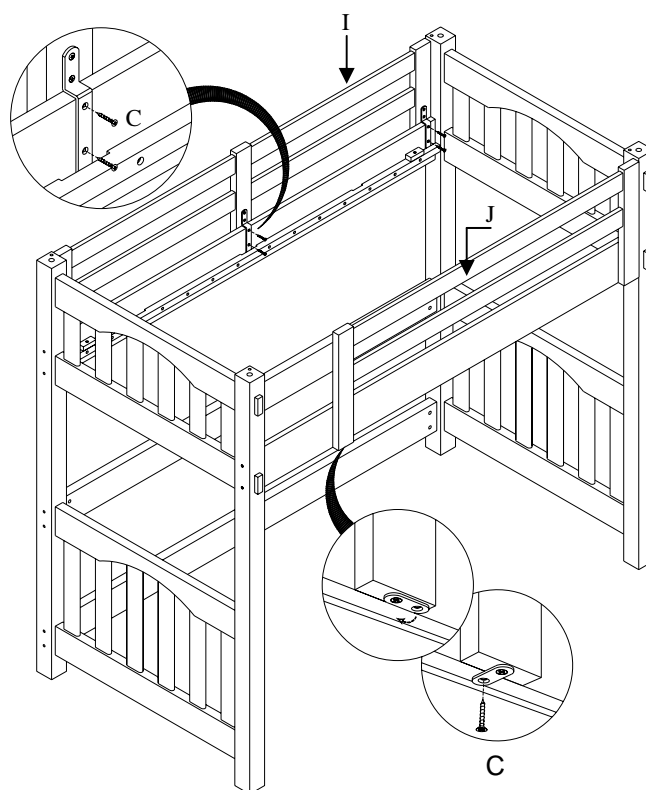
ASSEMBLY INSTRUCTIONS:

1. Assemble the head and footboard (F) to side rails (H) and back rails (G) using 5/16"x5" Allen bolts (A) and barrel nuts (B) as shown. (Fig. 1)



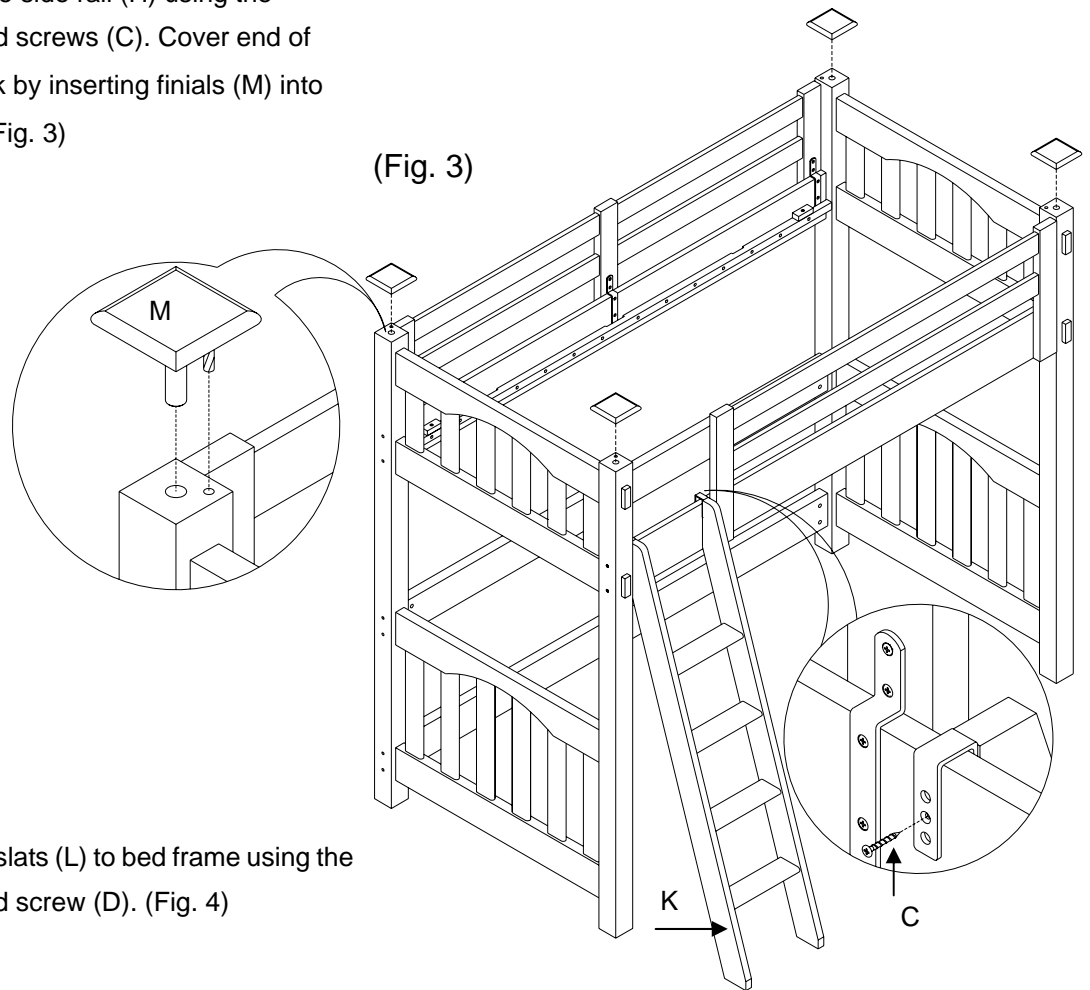
(Fig. 1)

2. Fasten the Back Guardrail (I) and Front Guardrail (J) to side rails (H) using the #8x20 Phillips head screws (C). Make sure there is no gap in between and of short guardrails (J) and bed end structure (F) before you start screwing the parts. Loosen the screw of connector bracket at bottom of guardrail (it is sent this way to avoid damage in shipment), turn the other end or connector bracket to side rail. Use the #8x20 Phillips head screw (C) to fasten guardrail to side rail as shown. (Fig. 2)

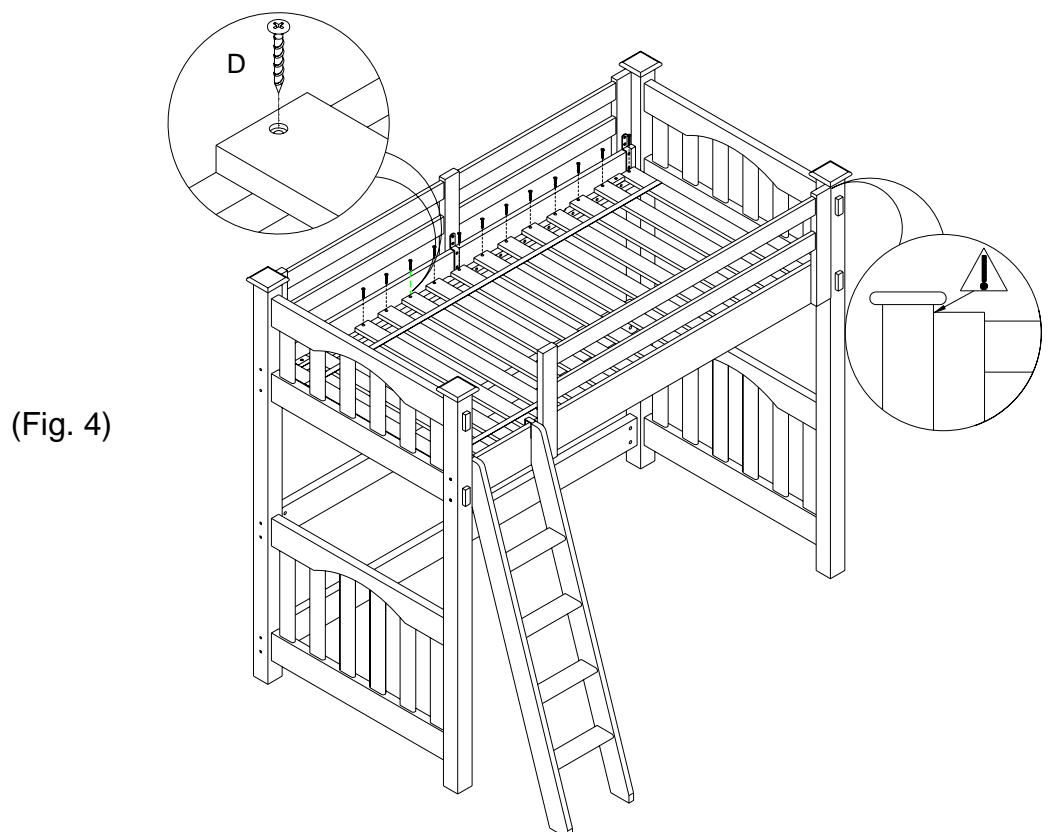


(Fig. 2)

3. Fasten ladder (K) to side rail (H) using the #8x20 Phillips head screws (C). Cover end of post on upper bunk by inserting finials (M) into pre-drilled holes. (Fig. 3)



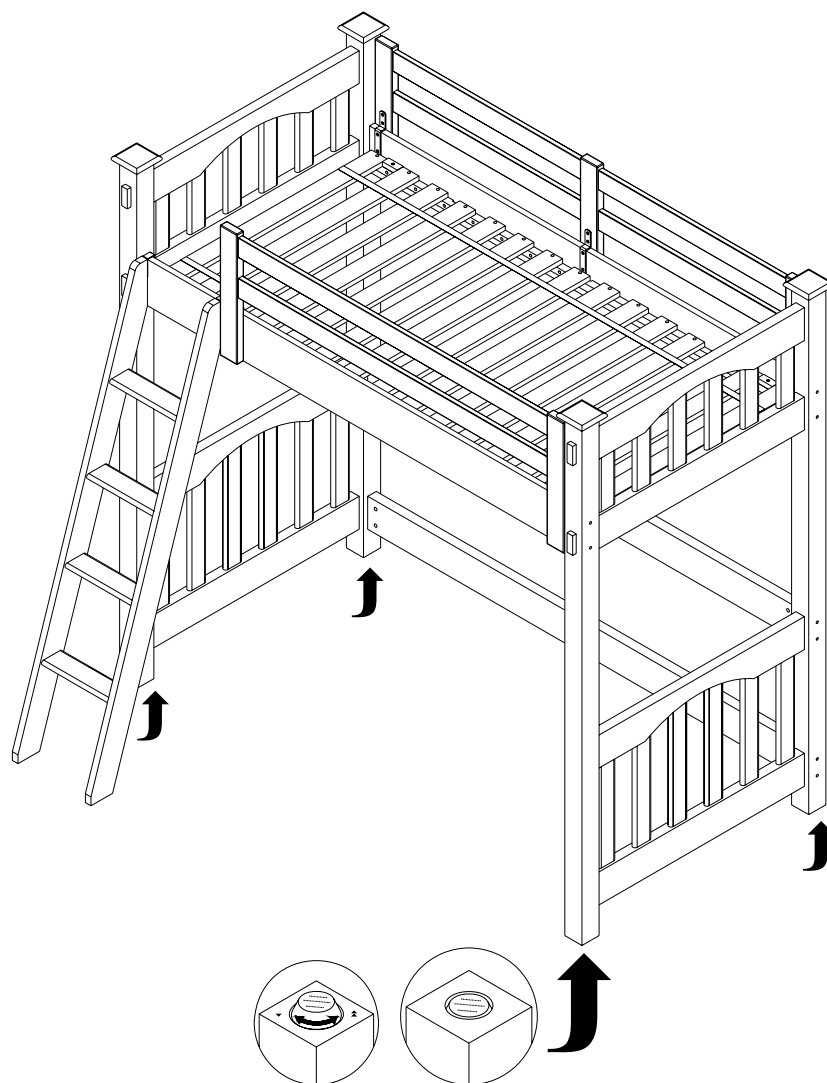
4. Assemble the bed slats (L) to bed frame using the #8x30 Phillips head screw (D). (Fig. 4)



5. If your floor is not perfectly even, the furniture may not sit level and cause it to wobble. If the piece wobbles, determine which corner does not touch the ground correctly. With two people follow these steps:

- Carefully elevate the item slightly to provide access to the levelers attached to the bottom.
- Turn the levelers in a counter-clockwise direction.
- Gently set down the piece and check stability.

Repeat steps until the furniture sits firmly on the ground.



CARE INSTRUCTIONS:

- Use a soft dry or slightly damp cloth to clean periodically.
- To protect the finish always avoid the use of chemical and abrasive cleansers.

Thank you for your purchase
stores | catalog | www.potterybarnkids.com
USA 1.800.290.8181