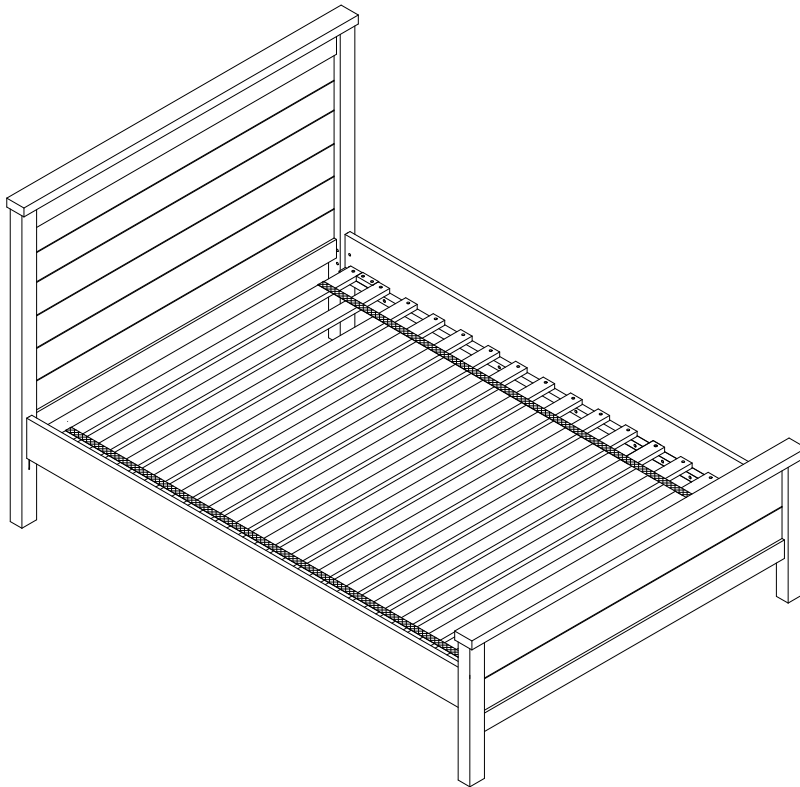


pottery barn kids



CHARLIE LOW FULL/TWIN BED

www.potterybarnkids.com

Important Safety Instructions:

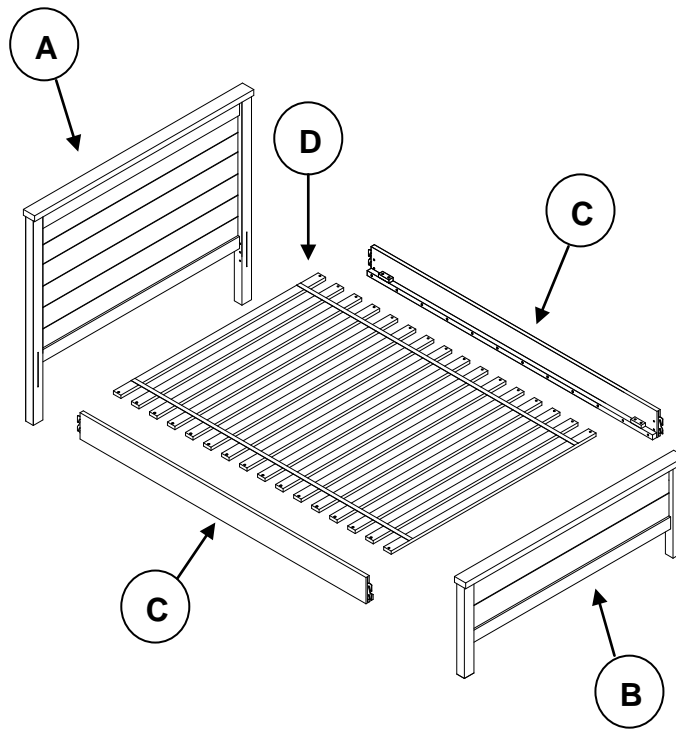
- Please read all instructions carefully before assembling.
- For your safety, assembly by two or more adults is strongly recommended.
- Keep instructions for future use.
- Use only vendor supplied hardware to assemble. Using unauthorized hardware could jeopardize the structural integrity of the item.

Pre-assembly:

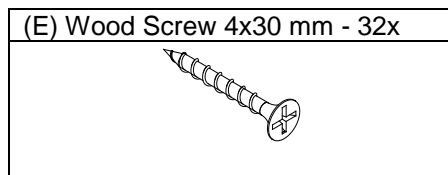
- Remove all parts and hardware from the box and lay out on a clear carpeted or scratch-free work surface, as this will avoid damaging parts during assembly. The shipping box provides an ideal work surface.
- Do not dispose of any packaging or contents of the shipping carton until assembly is completed to avoid accidentally discarding small parts or hardware.
- Use the parts and hardware lists below to identify and separate each of the pieces included.
- The illustrations provided allow for easier assembly when used in conjunction with the assembly instructions.
- The use of power tools to aid in assembly is not recommended. Power tools can damage hardware and split wood.

Parts Included:

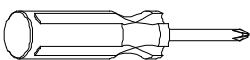
- (A) Headboard (1x)
- (B) Footboard (1x)
- (C) Side rails (2x)
- (D) Slat roll (1x)



Hardware Included:



Tools required (not included):



Philips Head Screwdriver

Assembly Instruction Steps:

1. Determine the desired location of the bed. (See image A & B below.)

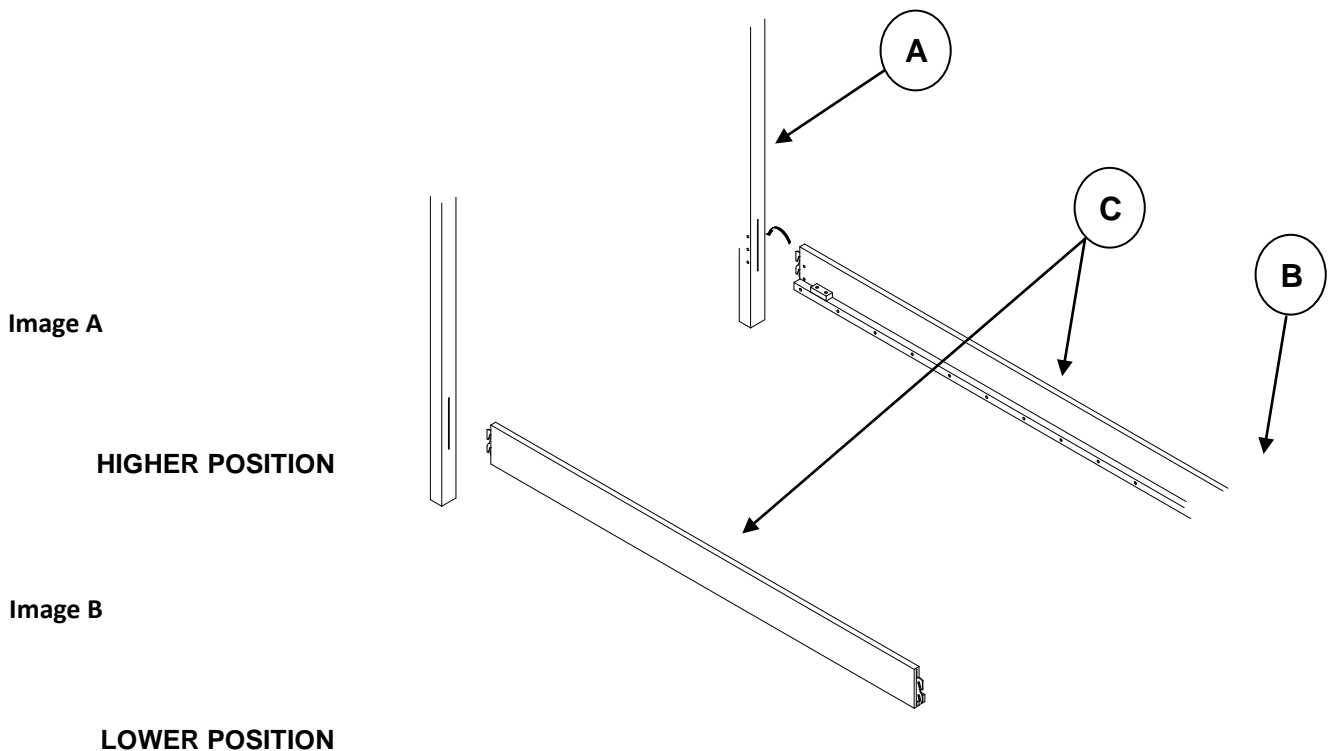
NOTE: Side rails have (2) settings:

Use the HIGHER setting if not using a box spring mattress and/of if a trundle will be used with the bed.

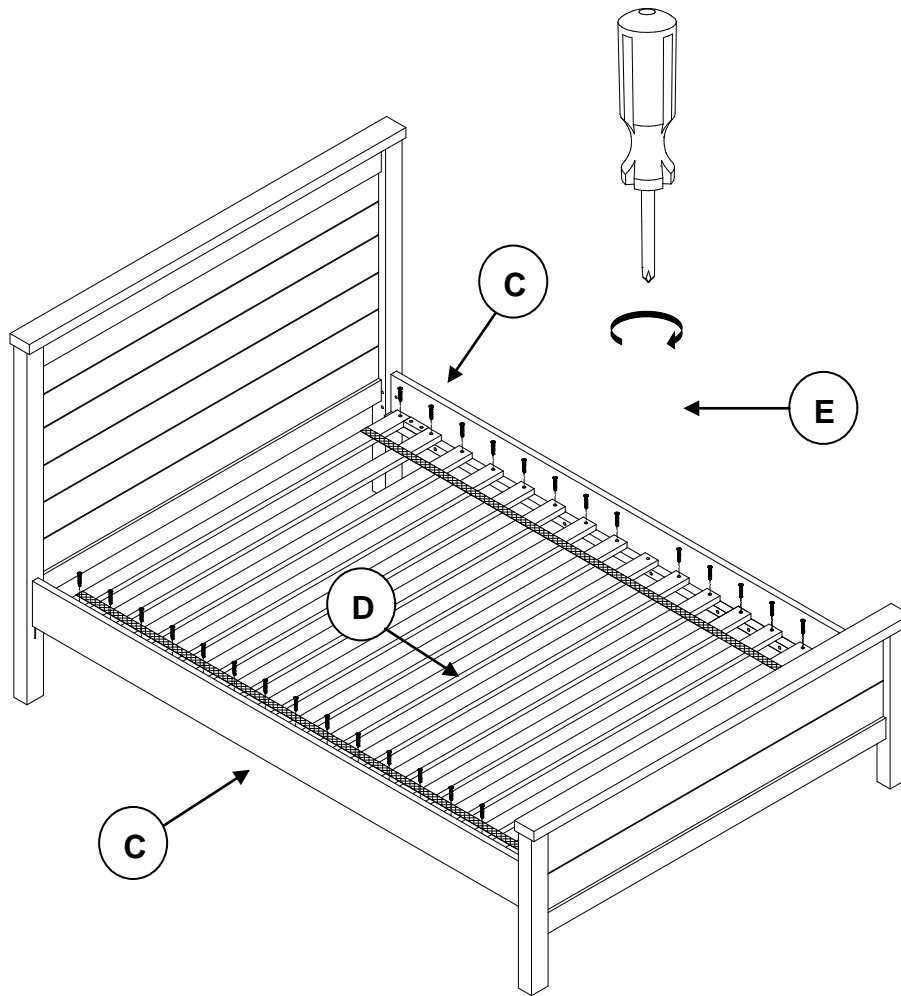
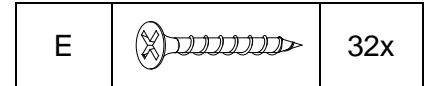
Use the LOWER setting if using a mattress & box spring. We recommend a box spring if you want to use a bed skirt/box spring cover or add height to the bed.

Our beds do not require a box spring at either setting since they include a slat roll foundation system, but one may be used.

2. Attach (C) to (A) & (B) by inserting the pre-fixed hooks into the corresponding slots as shown below. Apply downward pressure and ensure connections are secure.



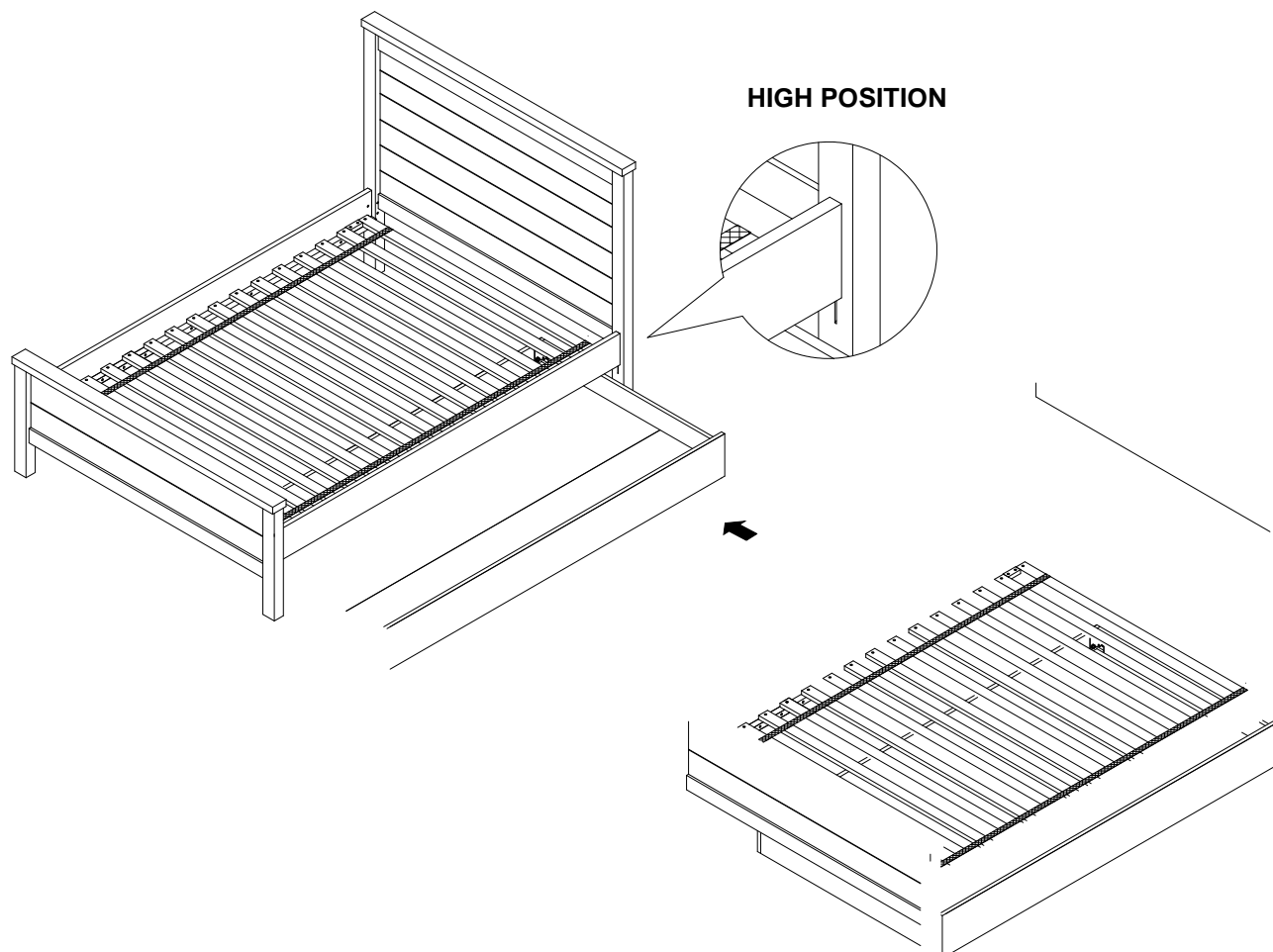
3. Lay (D) onto inner ledge of Side Rails (C) and fasten each slat with (E) and Phillips head screw driver (not provided) as shown below.



4. Assembly is completed.

Charlie Trundle (sold separately)

Note: Make sure the Side Rails of the Charlie Bed are at the high position before pushing the trundle underneath.



Care Instructions:

- Dust often using a clean, soft, dry and lint-free cloth.
- Blot spills immediately and wipe with a clean, damp, cloth.
- We do not recommend the use of chemical cleansers, abrasives or furniture polish on our lacquered finish.
- Hardware may loosen over time. Periodically check to make sure all connections are tight.
Re-tighten if necessary.

Thank you for your purchase
Stores | catalog | www.potterybarnkids.com
USA 1.800.290.8181