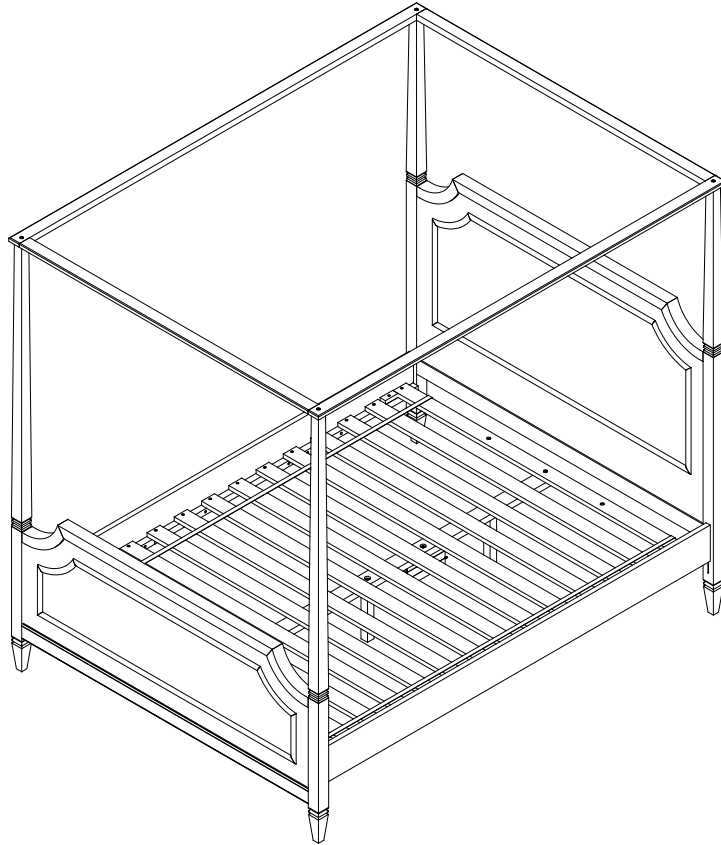


pottery barn kids



AVA REGENCY QUEEN CANOPY

www.potterybarnkids.com

IMPORTANT SAFETY INSTRUCTIONS:

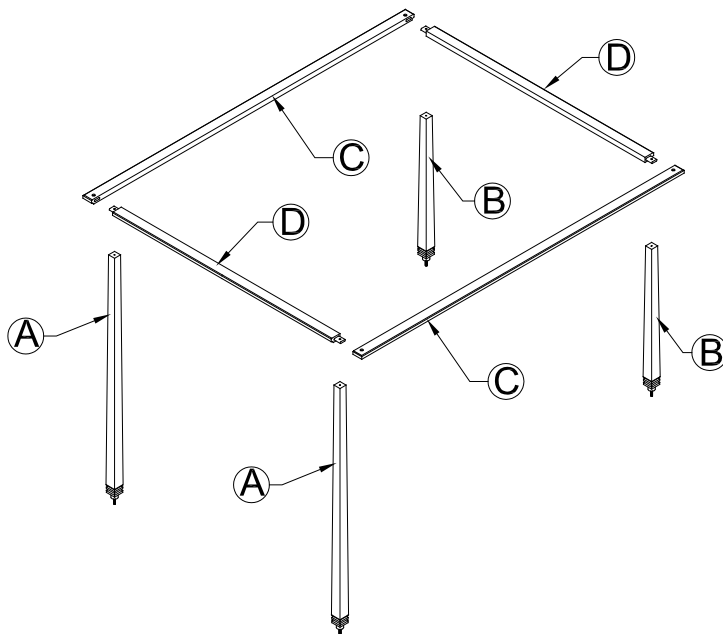
- Please read all instructions carefully before assembling.
- For your safety, assembly by two or more adults is recommended.
- Keep instructions for future use.
- Use only vendor supplied hardware to assemble. Using unauthorized hardware could jeopardize the structural integrity of the item.
- Do not remove warning labels. Labels are permanent and not designed to be removed.

PRE-ASSEMBLY:

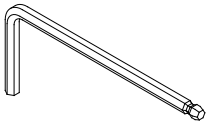

- Remove all parts and hardware from the box and lay out on a clear carpeted or scratch-free work surface, as this will avoid damaging parts during assembly. The shipping box provides an ideal work surface.
- Do not dispose of any packaging or contents of the shipping carton until assembly is completed to avoid accidentally discarding small parts or hardware.
- Use the parts and hardware lists below to identify and separate each of the pieces included.
- The illustrations provided allow for easier assembly when used in conjunction with the assembly instructions
- The use of power tools to aid in assembly is not recommended. Power tools can damage hardware and Split wood

PARTS INCLUDED:

- (A) Long Post - 2pcs
- (B) Short Post - 2pcs
- (C) Long Canopy - 2pcs
- (D) Short Canopy - 2pcs

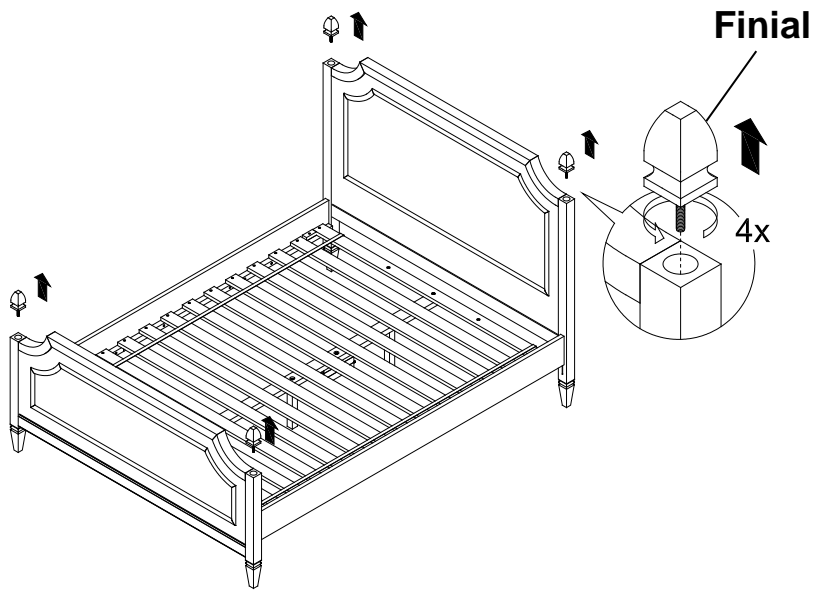


HARDWARE INCLUDED:

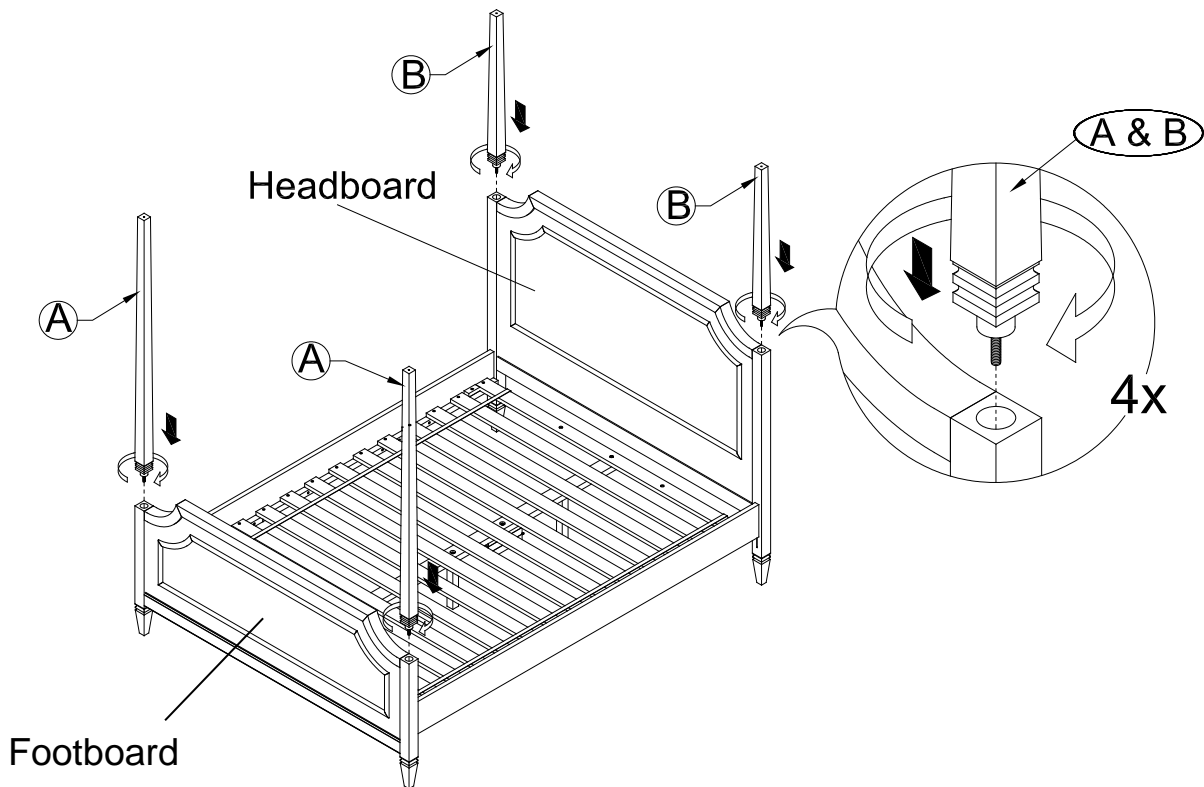
(E) Allen Key with Ball tip -1x	(F) Bolt 1/4" x38mm - 4x
	

ASSEMBLY INSTRUCTION STEPS:

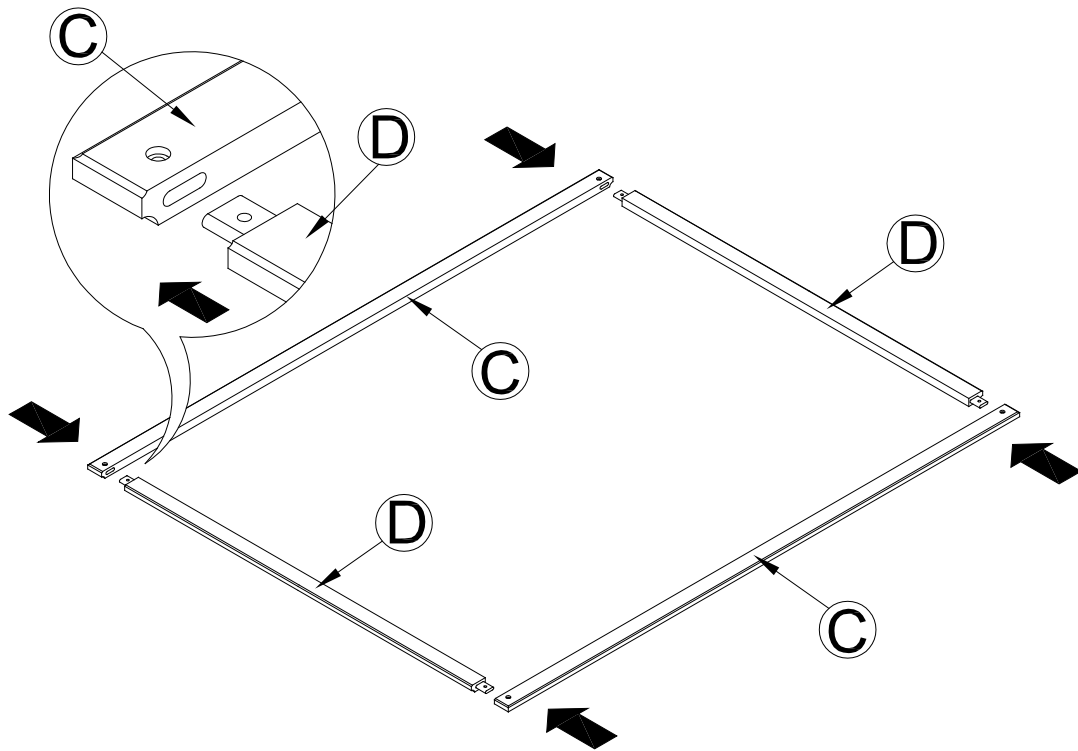
1. Remove finials from bed posts as shown below.



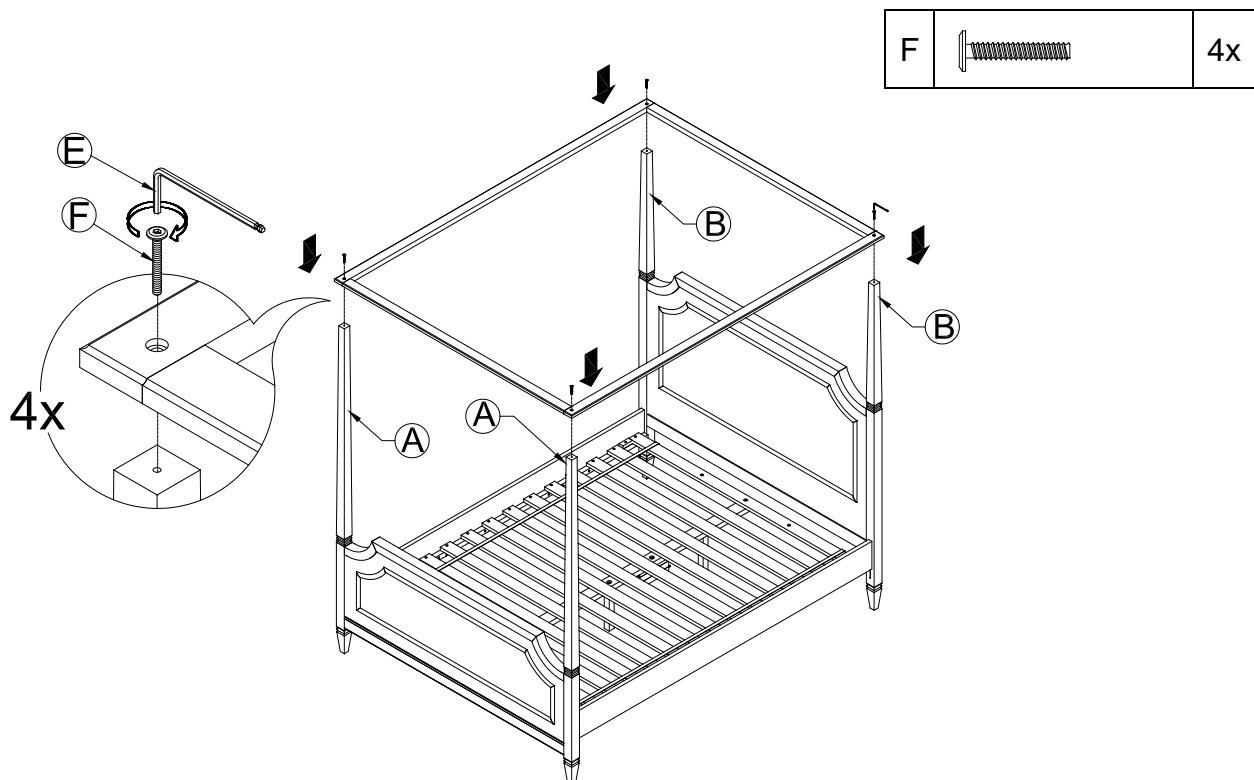
2. Thread Long Posts (A) onto footboard posts and Short Posts (B) onto headboard posts as shown below.



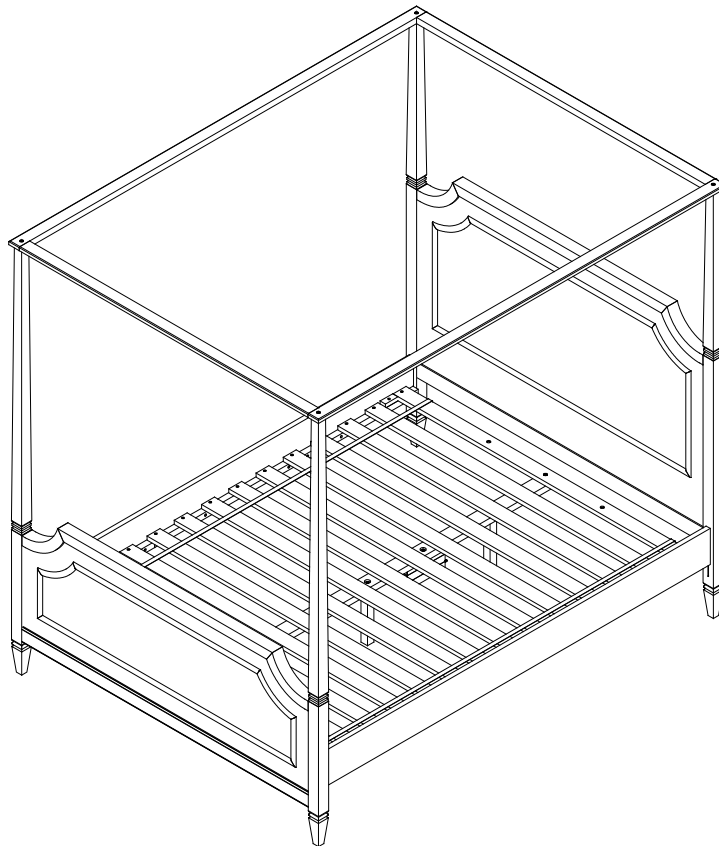
3. Lay down (C) and (D) onto a flat, scratch free surface.
4. Insert the tenon from (D) into the mortise from (C) as shown below.



5. With the help of another **Adult**, secure the assembled canopy into the 4 posts (A&B) as shown below.



6. Assembly is completed.



CARE INSTRUCTIONS:

- Dust often using a clean, soft, dry and lint-free cloth.
- Blot spills immediately and wipe with a clean, damp, cloth.
- We do not recommend the use of chemical cleansers, abrasives or furniture polish on our lacquered finish.
- Hardware may loosen over time. Periodically check to make sure all connections are tight. Re-tighten if necessary.

Thank you for your purchase
Stores | catalog | www.potterybarnkids.com
USA 1.800.290.8181