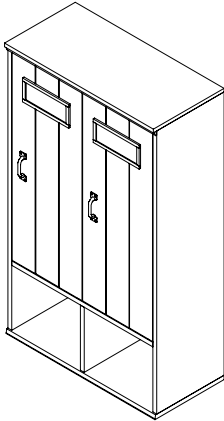


# pottery barn kids

## CAMERON LOCKER

**IMPORTANT SAFETY INSTRUCTIONS:**

Please read all instructions carefully before assembling.  
For your safety, assembly by two people is recommended.

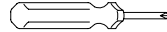


**PARTS INCLUDED:**


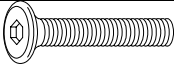









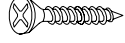
- |                            |                             |
|----------------------------|-----------------------------|
| (A) Left Side Panel – 1pc  | (G) Bottom Panel – 1pc      |
| (B) Right Side Panel – 1pc | (H) Left Door – 1pc         |
| (C) Back Panel – 1pc       | (I) Right Door – 1pc        |
| (D) Lower Shelf – 1pc      | (J) Top Panel – 1pc         |
| (E) Long Divider – 1pc     | (K) Adjustable Shelf – 4pcs |
| (F) Short Divider – 1pc    |                             |

**TOOLS REQUIRED:**

Philips Screwdriver (Not Included)



**HARDWARE INCLUDED:**

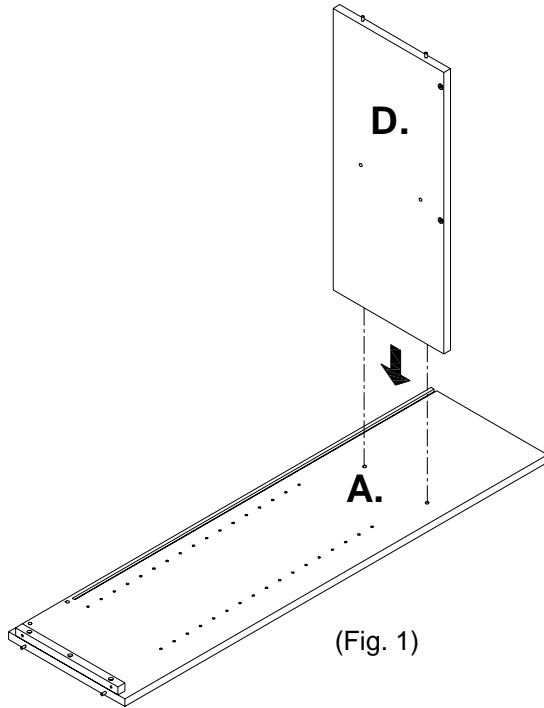
 (L) Allen Key – 1pc	 (M) Allen Bolt 1/4" x 25mm – 8pcs	 (N) Spring Washer 1/4" – 8pcs
 (O) Flat Washer 1/4" – 8pcs	 (P) Small Bolt 5/32" x 19mm – 4pcs	 (Q) Door Pull – 2pcs
 (R) Shelf Support – 16pcs	 (S) Large Wood Screw 4 x 30mm – 8pcs	 (T) Small Wood Screw 3.5 x 12mm – 4pcs
 (U) Hook – 2pcs	 (V) Plastic Cap – 4pcs	 (W) Medium Wood Screw 4 x 20mm – 3pcs

**PRE-ASSEMBLY:**

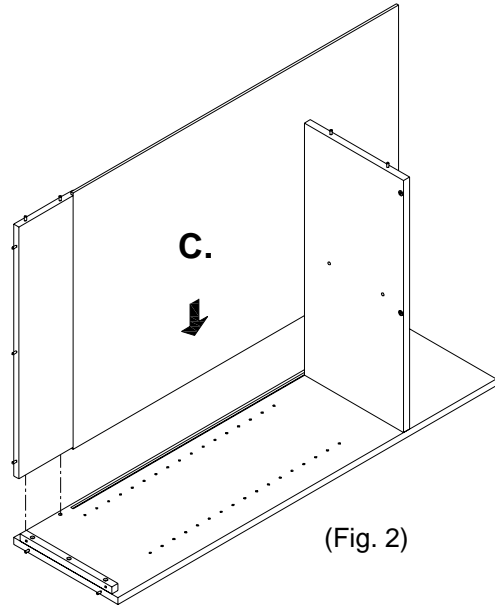
- Remove all parts and hardware from the box and lay out on a clean, carpeted, or scratch-free work surface, as this will avoid damaging any parts during assembly. The shipping box provides an ideal work surface. Do not dispose of any contents until assembly is completed to avoid accidentally discarding small parts or hardware.
- Use the parts and hardware lists above to identify and separate each of the pieces included.
- The illustrations provided allow for easier assembly when used in conjunction with the assembly instructions.
- Note: Do not fully tighten all bolts until all parts are in place. Failure to follow these instructions may cause the bolts to misalign during assembly.
- If using power tools to aid in assembly please use caution. Power tools can damage hardware or split wood.

**ASSEMBLY INSTRUCTIONS:**

1. Align and connect the wooden dowels of the Lower Shelf (D) to the pre-drilled holes on the Left Side Panel (A). (Fig. 1)
2. Align and connect the wooden dowels of the Back Panel (C) to the pre-drilled holes and slot on the Left Side Panel (A) (Fig. 2)

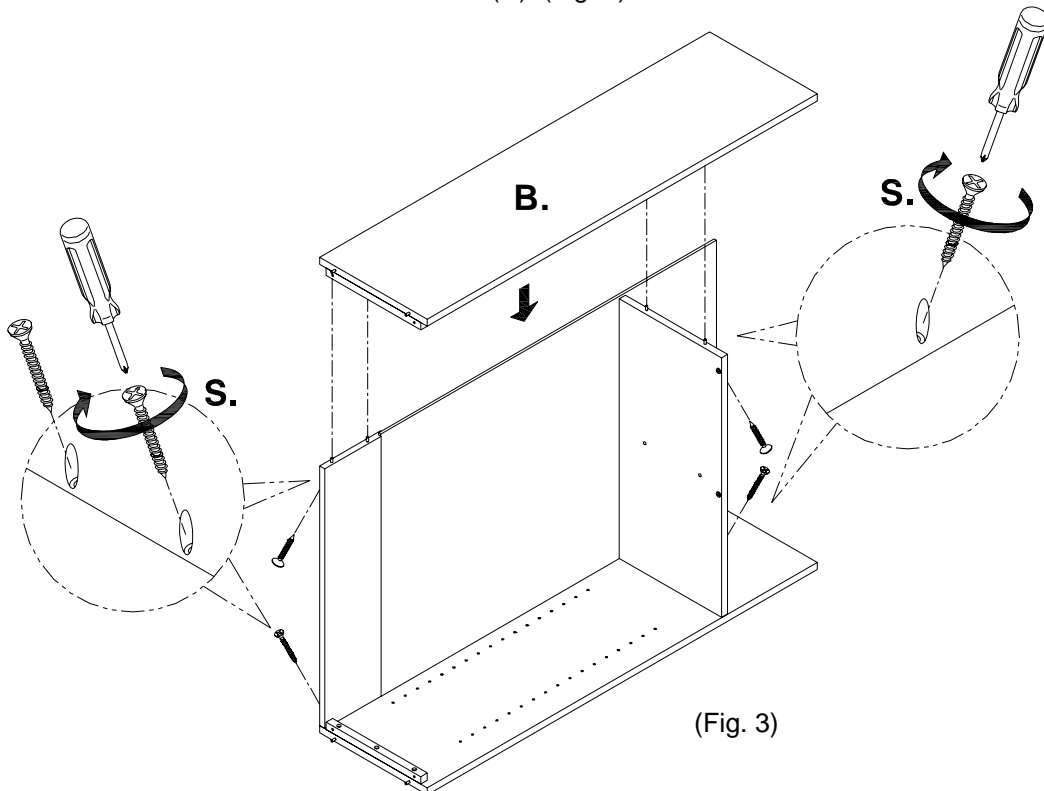


(Fig. 1)



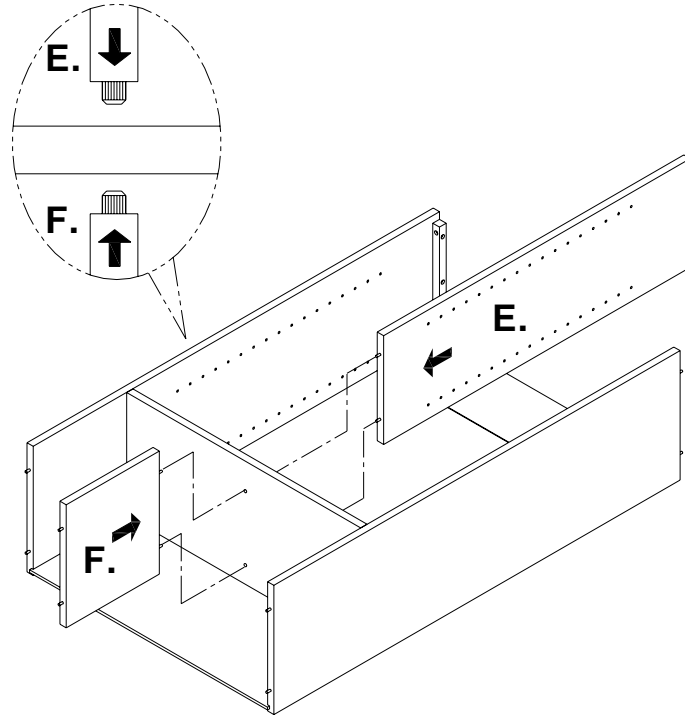
(Fig. 2)

3. Align and attach the pre-drilled holes of the Right Side Panel (B) to the wooden dowels on the assembled piece. Secure the Back Panel (C) to the Left/Right Side Panels (A & B) by inserting (4) Large Wood Screws (S) through the end of the top of Back Panel (C) and into the Left/Right Side Panels (A & B). Secure the Lower Shelf (D) to the Left/Right Side Panel (A & B) by inserting (2) Large Wood Screws (S) into the pre-drilled holes on the underside of the Lower Shelf (D). (Fig. 3).



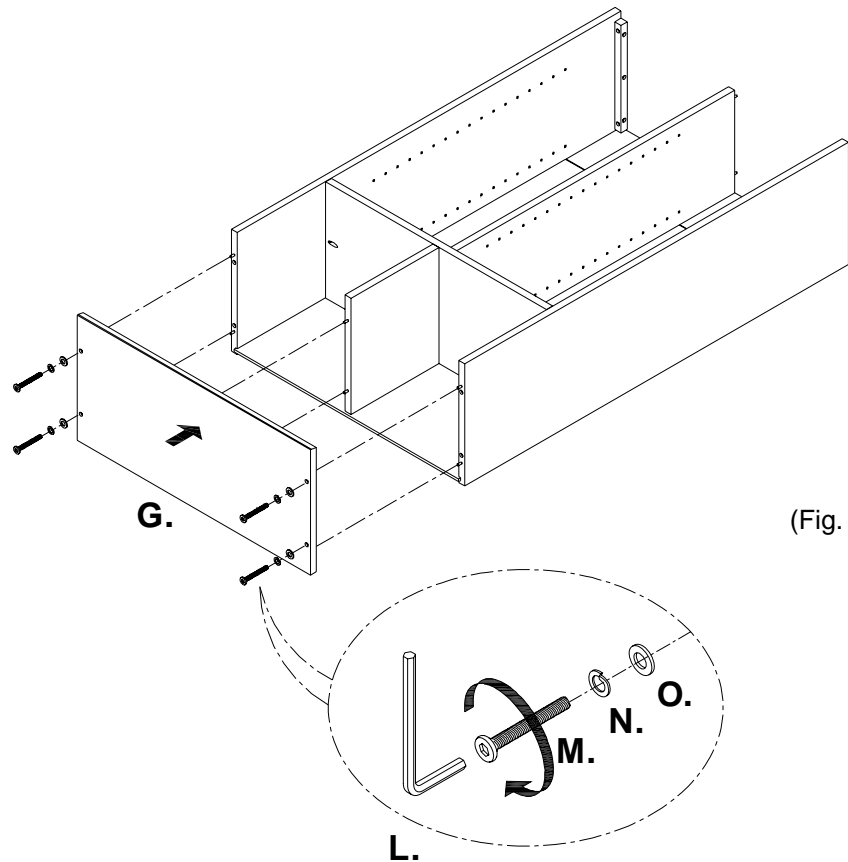
(Fig. 3)

4. Align and insert the wooden dowels of both the Long Divider (E) and the Short Divider (F) into the pre-drilled holes on the top and underside of the Lower Shelf (D), as shown below. Ensure that the labels with arrow on the Long/Short Dividers (E & F) are facing each other. (Fig. 4).



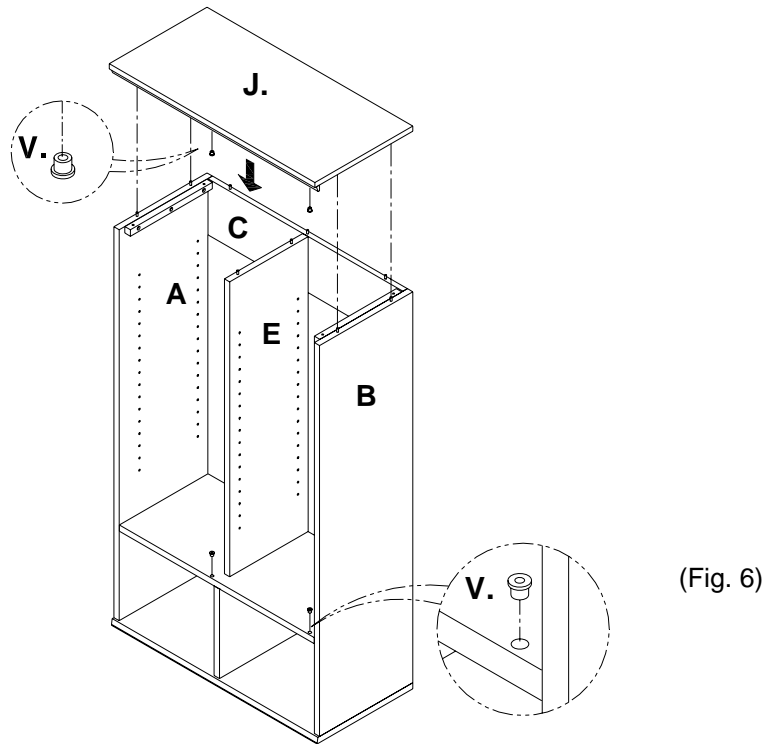
(Fig. 4)

5. Connect the Bottom Panel (G) to the bottom of the Left and Right Side Panels (A & B) by aligning the pre-drilled holes of the Bottom Panel (G) with those on the bottoms of the Left and Right Side Panels (A & B). Secure by inserting an Allen Bolt (M) through a Spring Washer (N) and a Flat Washer (O) through the pre-drilled holes of the Bottom Panel (G) and into the pre-drilled holes of the Left and Right Side Panels (A & B). Tighten using an Allen Key (L). (Fig. 5).

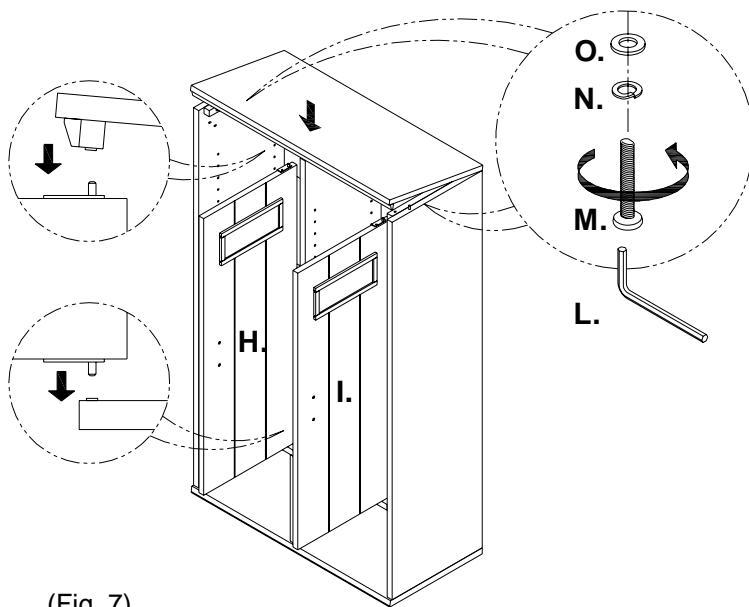


(Fig. 5)

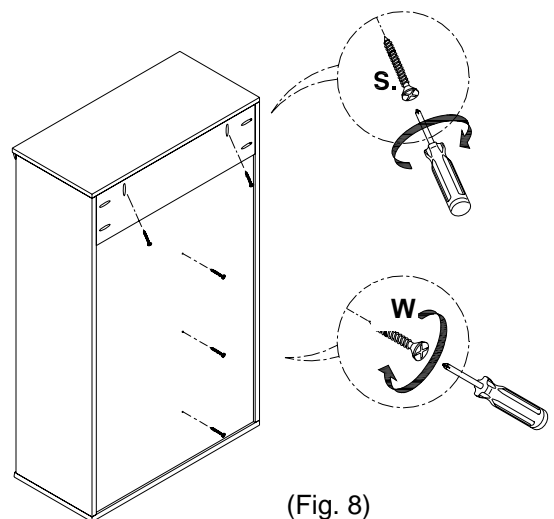
- Turn the assembled piece upright. Place the Top Panel (J) on the assembled piece. Align the pre-drilled holes of the Top Panel (J) to the wooden dowels of the Left Side, Right Side, Back Panels and the Long Divider (A, B, C & E). Insert (4) Plastic Caps (V) into the pre-drilled holes on the Lower Shelf (D) and bottom front of the Top Panel (J). (Fig. 6).



- Lift the Top Panel (J) a little bit to allow the hinges of the Left and Right Door (H & I) to go into the Plastic Caps (V) on the Lower Shelf (D) and Top Panel (J). Check alignment and secure the Top Panel (J) with the remaining (4) Allen Bolts (M), Spring Washers (N) and Flat Washer (O) by inserting them into the fixed wood cleats located at inside of the Left and Right Side Panels (A & B). Note: Doors are not identical and are labeled Left & Right. Label is removable. (Fig. 7).
- Secure the Top Panel (J) by inserting (2) Large Wood Screws through back of the Back Panel (C) and into the Top Panel (J). Use (3) Medium Wood Screws (W) to secure Back Panel (C) to the Long/Short Dividers (E & F). (Fig. 8).

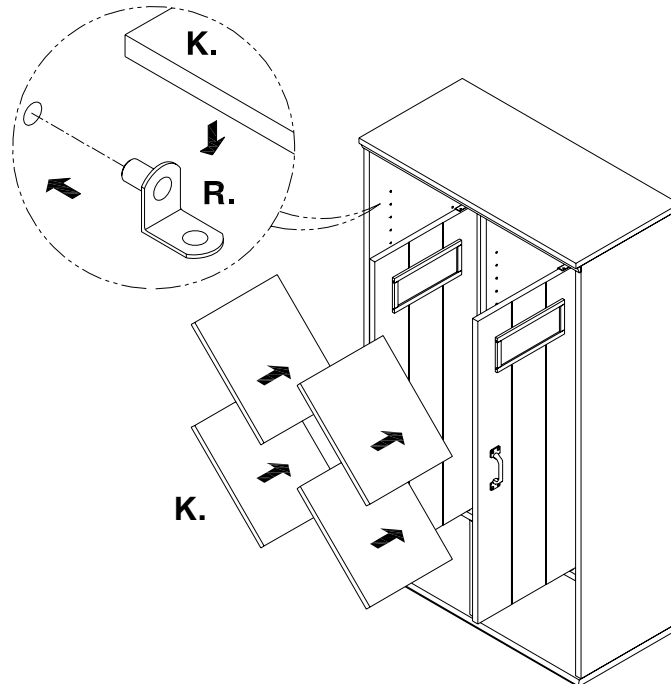


(Fig. 7)



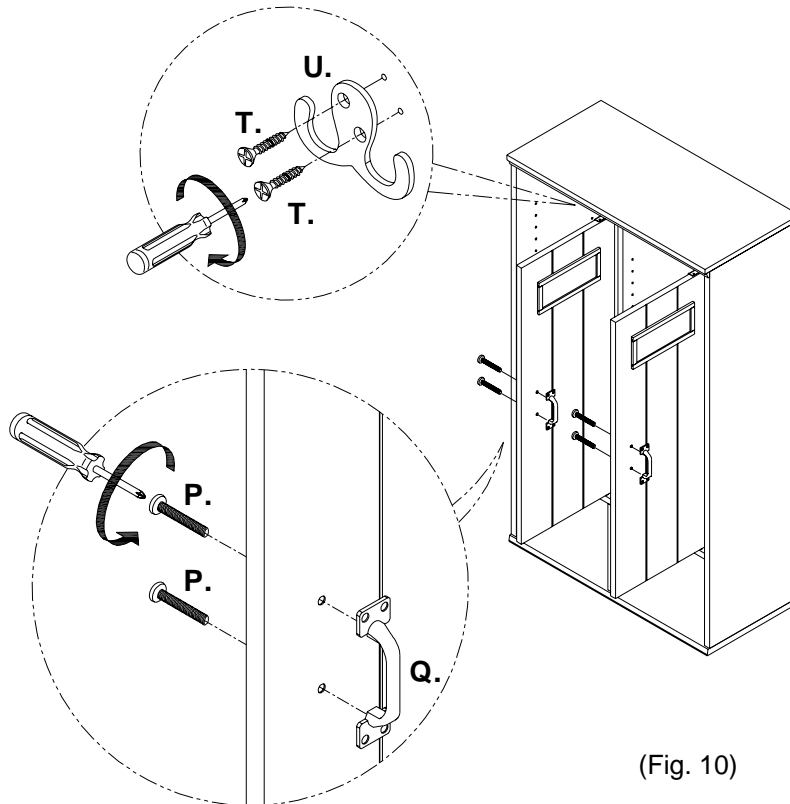
(Fig. 8)

9. Insert the (16) Shelf Support Pegs (R) into the pre-drilled holes on interior sides of the Left/Right Side Panels (A & B) and Long Dividers (E). Place the Adjustable Shelves (K) on the Shelf Support Pegs (R). (Fig. 9)



(Fig. 9)

10. Insert and secure the Hooks (U) into the pilot holes located on the Back Panel using (4) Small Wood Screws (T). Secure the Door Pulls (Q) to the Left and Right Doors (H & I) by aligning the pre-drilled holes of the Door Pull (Q) with the pre-drilled holes on the fronts of the Left and Right Doors (H & I) using (4) Small Bolts (P). (Fig. 10)



(Fig. 10)


**CARE INSTRUCTIONS:**

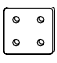
- Dust often using a clean, soft, dry lint-free cloth.
- Blot spills immediately, and wipe with a clean, damp, cloth.
- We do not recommend the use of chemical cleansers, abrasives, or furniture polish on our lacquered finish.

## Mending Plate Connections:

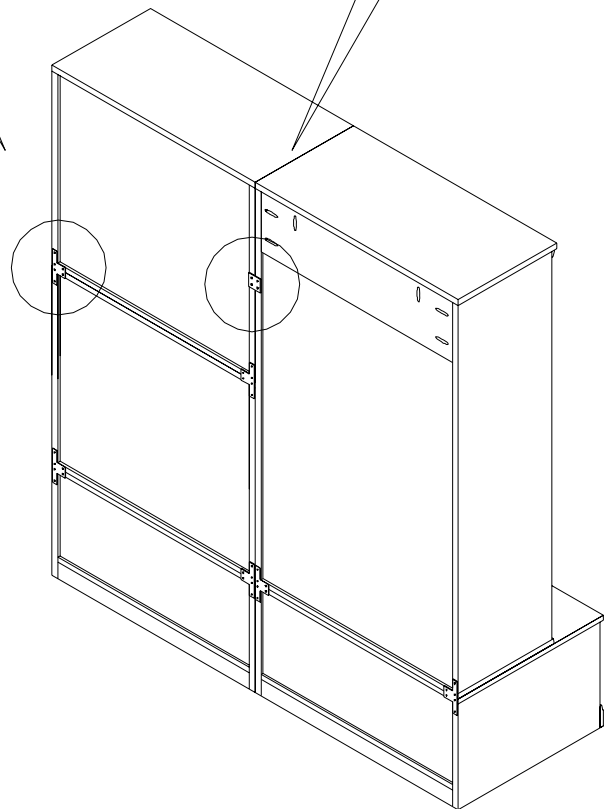
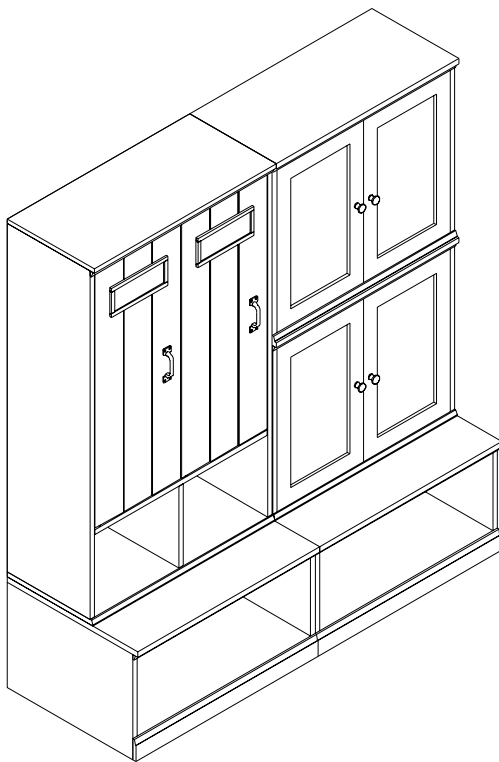
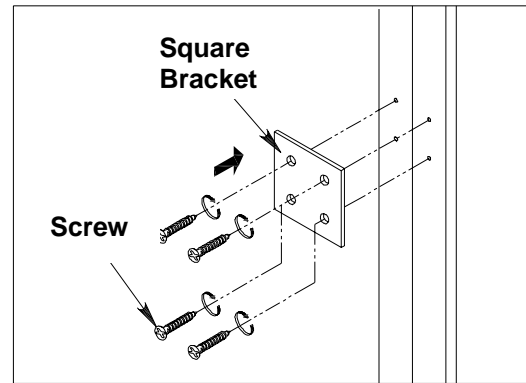
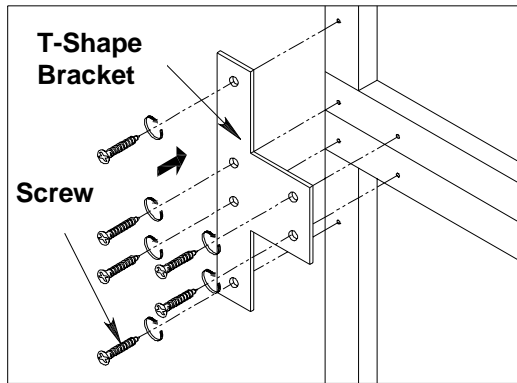
HARDWARE ENCLOSED

T-Shape Bracket  - 2pcs

Wood Screw 3 x 12mm  - 16pcs

Square Bracket  - 1pc

- If connecting Cubby piece to Base piece, use (2) T-Shape Bracket and (12) Wood Screw.
- If connecting to Cubby piece to Cubby piece, use (1) Square Bracket and (4) Wood Screw.



Thank you for your purchase.  
stores | catalog | [www.potterybarnkids.com](http://www.potterybarnkids.com)  
USA 1.800.290.8181

# pottery barn kids

## TIP RESTRAINT KIT

**WARNING:** This product is only a deterrent. It is not a substitute for proper adult supervision.

Young children may be injured by tipping furniture and the use of a tipping restraint is highly recommended. When properly installed, this restraint could provide protection against the unexpected tipping of furniture. We recommend mounting this restraint to a wall stud.

All Parts and Hardware are included with the Cameron Locker.

### PARTS INCLUDED

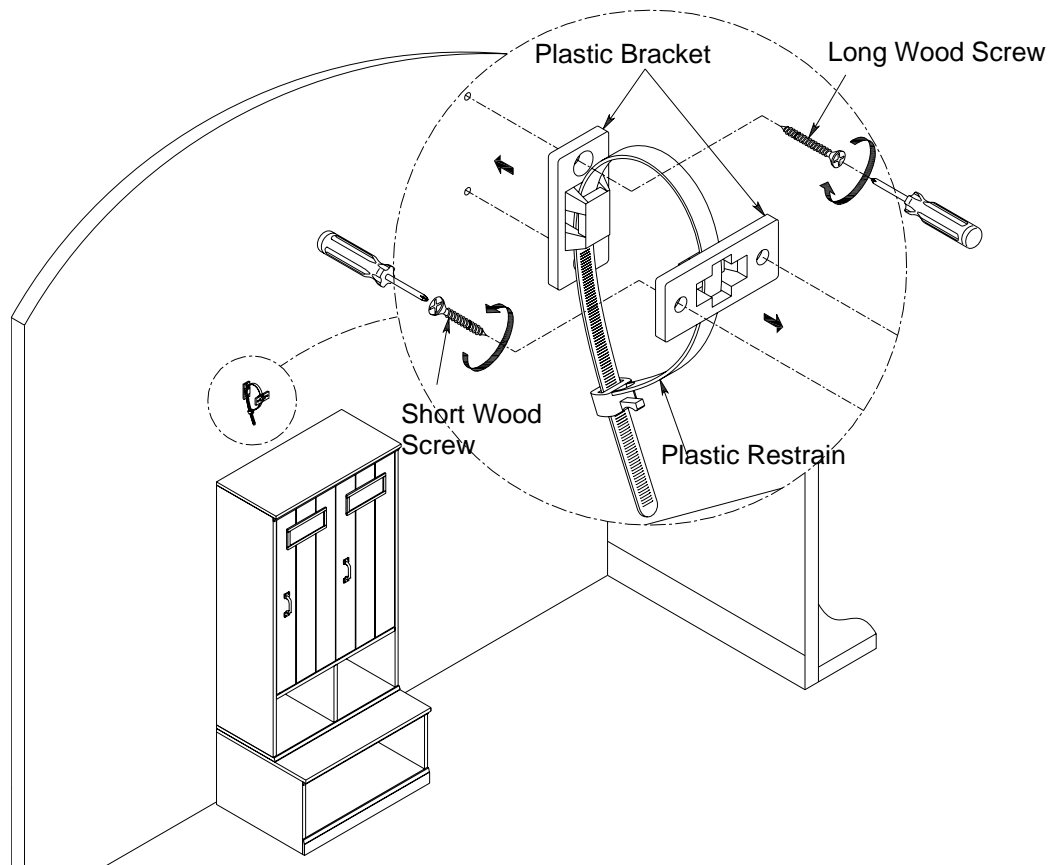
- (1) Plastic Restraint
- (2) Plastic Wall Brackets

### HARDWARE NEEDED

- (2) Long Screws
- (2) Short Screws

Note: For safe mounting it is essential to use the proper hardware for your wall type. The included hardware is for drywall or stud mounting only. For other wall types (ie: plaster, concrete, brick...) please consult your local hardware store.

1. Locate a wall stud behind your furniture. Position a bracket on the stud approximately 1" below the top of the furniture. Mark and drill pilot hole into the center of the stud with a 3/32" drill bit. Attach a bracket to the stud with the long screws provided.
2. On the back of the furniture, a bracket will need to be attached to the furniture frame at the top. To do this, temporarily move the furniture into its final position and mark the location of the wall bracket on the furniture frame. Move the furniture away from the wall and place a bracket on the mark. Mark and drill holes for screws with 3/32" drill bit. Attach the bracket to the furniture with the short screws provided.
3. Move the furniture into this final position, taking care to line up the wall bracket with the furniture bracket. Thread a strap through the bracket as shown in the illustration. Tighten strap until snug. Do not over tighten.



Thank you for your purchase.