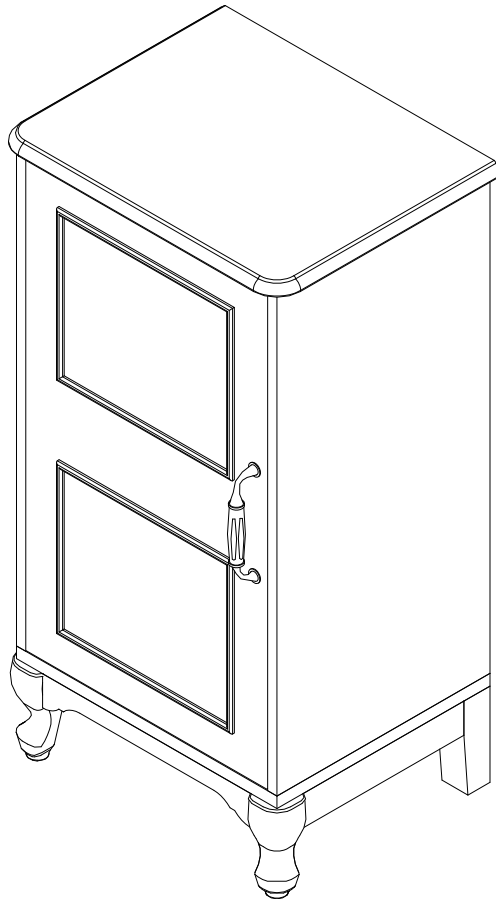


# pottery barn kids



## **FARMHOUSE KITCHEN FRIDGE**

### Important Safety Instructions:

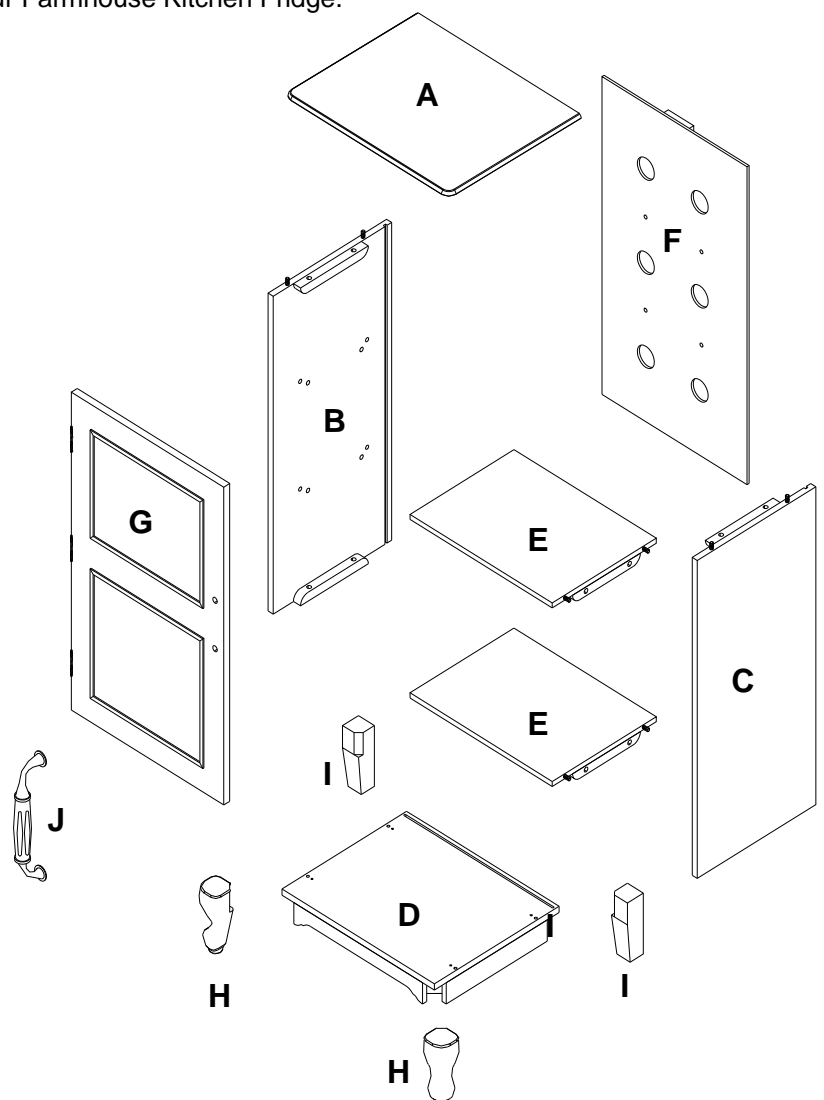
- Please read all instructions carefully before assembling.
- For your safety, assembly by two or more adults is strongly recommended.
- Keep instructions for future use.
- Use only vendor supplied hardware to assemble. Using unauthorized hardware could jeopardize the structural integrity of the item.
- **WARNING:** INSTALLING AN ANTI-TIP KIT IS STRONGLY RECOMMENDED TO PREVENT INJURY FROM TIPPING FURNITURE (SEE SEPARATE ASSEMBLY INSTRUCTIONS).
- **CAUTION:** This item contains small parts that have sharp points and edges in the unassembled state. Care should be taken when unpacking and assembling this item. Not recommended for children under 3 years of age.

### Pre-assembly:


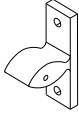
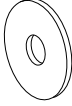

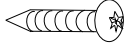
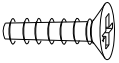
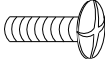
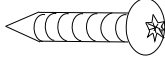
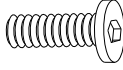
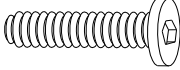
- Remove all parts and hardware from the box and lay out on a clear carpeted or scratch-free work surface, as this will avoid damaging parts during assembly. The shipping box provides an ideal work surface.
- Do not dispose of any packaging or contents of the shipping carton until assembly is completed to avoid accidentally discarding small parts or hardware.
- Use the parts and hardware lists below to identify and separate each of the pieces included.
- The use of power tools to aid in assembly is not recommended. Power tools can damage hardware and split wood.
- The illustrations provided allow for easier assembly when used in conjunction with the assembly instructions.
- It may take 1 hour or more to assembly your Farmhouse Kitchen Fridge.

### Parts Included:

(A)	Top Panel	1x
(B)	Left Side Panel	1x
(C)	Right Side Panel	1x
(D)	Bottom Panel	1x
(E)	Shelf	2x
(F)	Back Panel	1x
(G)	Door	1x
(H)	Front Leg	2x
(I)	Rear Leg	2x
(J)	Handle	1x

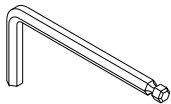


**Hardware Included:**

<p>(K) Door Catch Female</p>  <p>1x</p>	<p>(L) Door Catch Male</p>  <p>1x</p>	<p>(M) Flat Washer</p>  <p>24x</p>	<p>(N) Spring Washer</p>  <p>24x</p>	<p>(O) Screw</p>  <p>10mm 4x</p>
<p>(P) Screw</p>  <p>12mm 6x</p>	<p>(Q) Screw</p>  <p>15mm 2x</p>	<p>(R) Screw</p>  <p>25mm 4x</p>	<p>(S) Bolt</p>  <p>Dia. 1/4" x 1" 16x</p>	<p>(T) Bolt</p>  <p>Dia. 1/4" x 1-1/2" 8x</p>

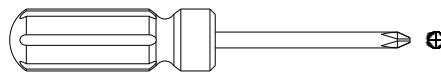
- **Anti-tip kit (with separate instructions)**

**Tools Required (included):**



Allen Key 4mm

**Tools Required (not included):**

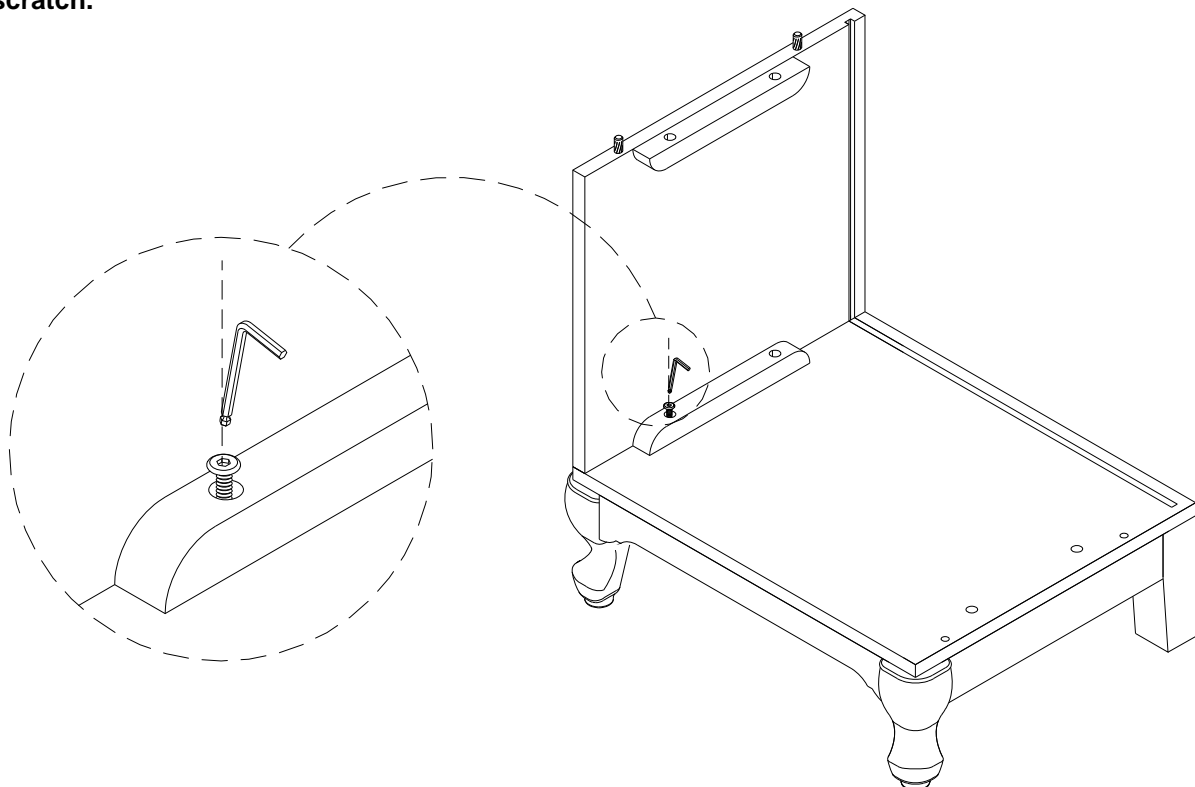


Phillips Head Screwdriver



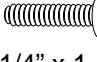
**Assembly Instruction Steps:**

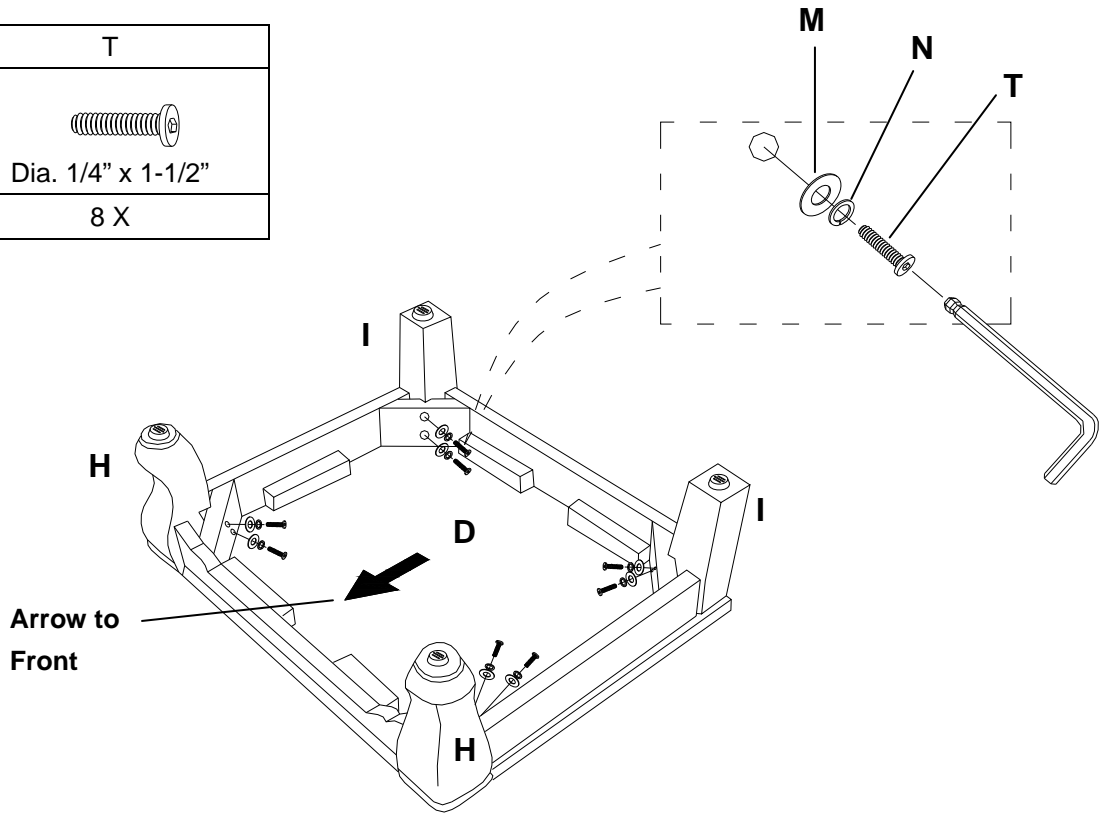
**NOTE:**

- **To follow the direction and position of illustrations could avoid wrong assembly.**
- **Use the ball-head side of the Allen wrench to tighten the bolt. Slightly tilt the Allen key could avoid scratch.**






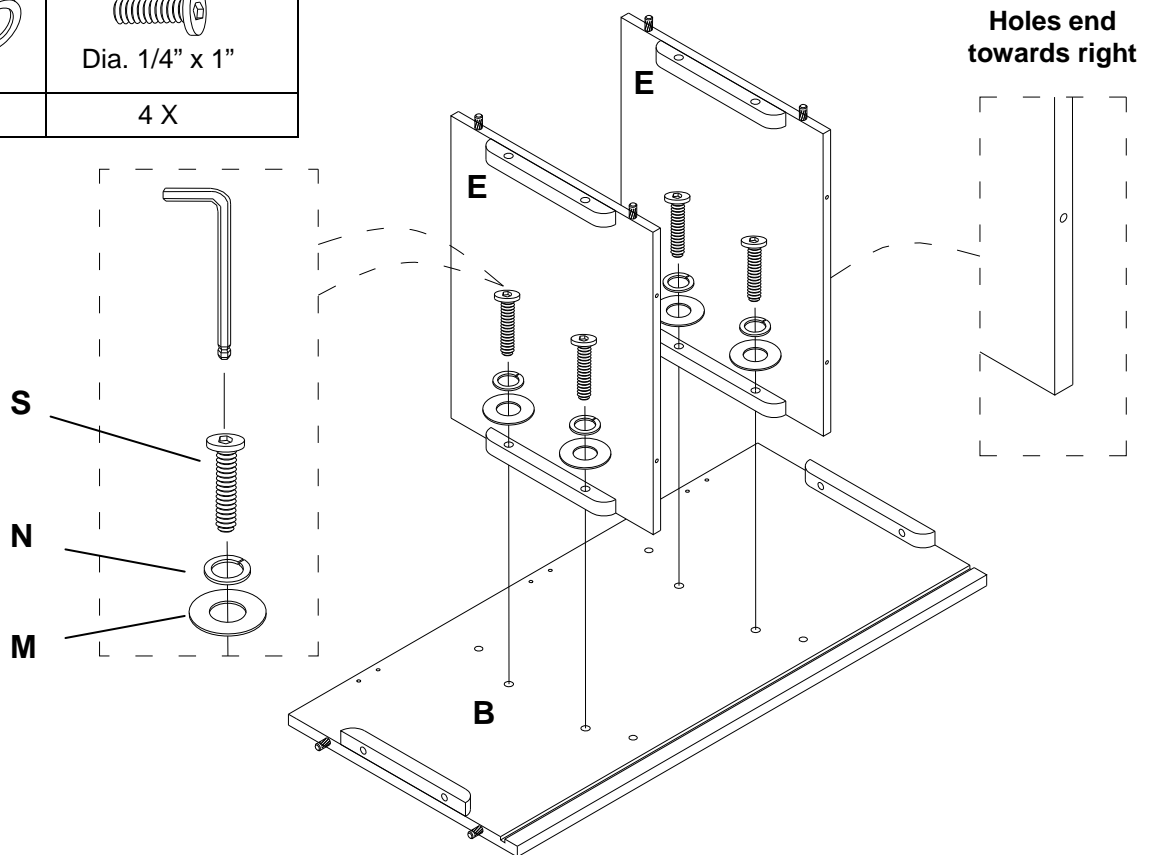
1. Attach Legs (H and I) to Bottom Panel (D) using the Bolt (T), Spring Washer (N) and Flat Washer (M). Loosely tighten the bolts, and then tighten with Allen Key.

M	N	T
		 Dia. 1/4" x 1-1/2"
8 X	8 X	8 X



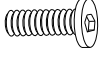


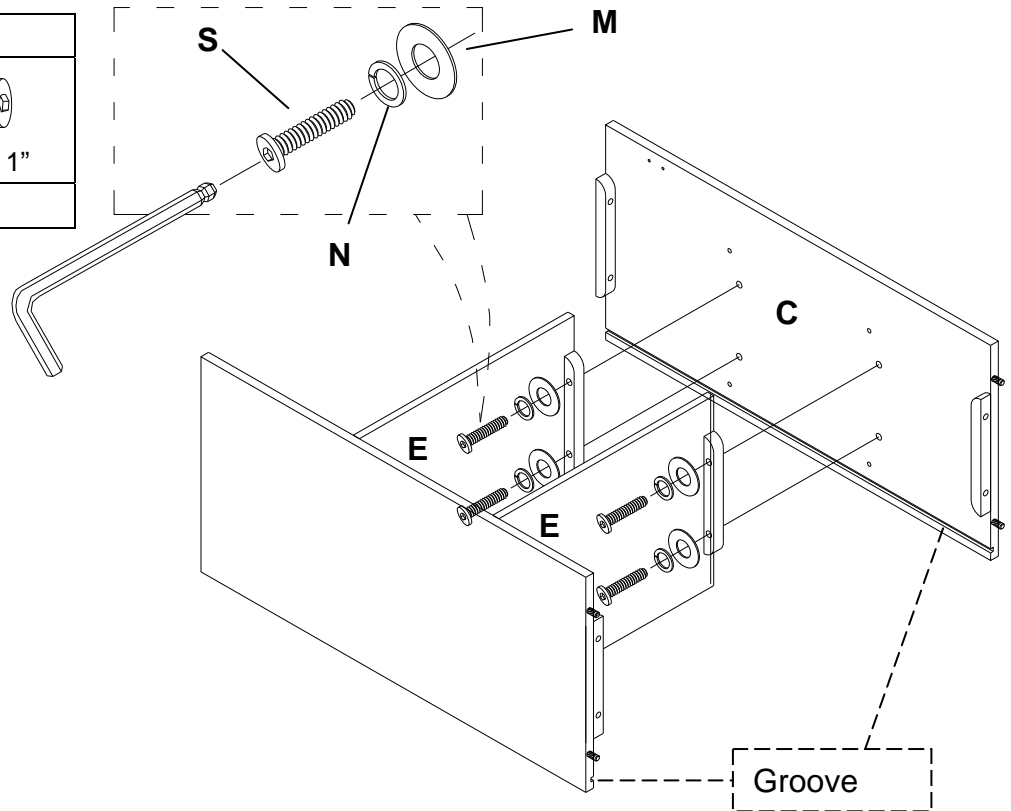
2. Attach the Shelves (E) to the Left Side Panel (B) using the Bolt (S), Spring Washer (N) and Flat Washer (M). Loosely tighten the bolts, and then tighten with Allen Key.

M	N	S
		 Dia. 1/4" x 1"
4 X	4 X	4 X






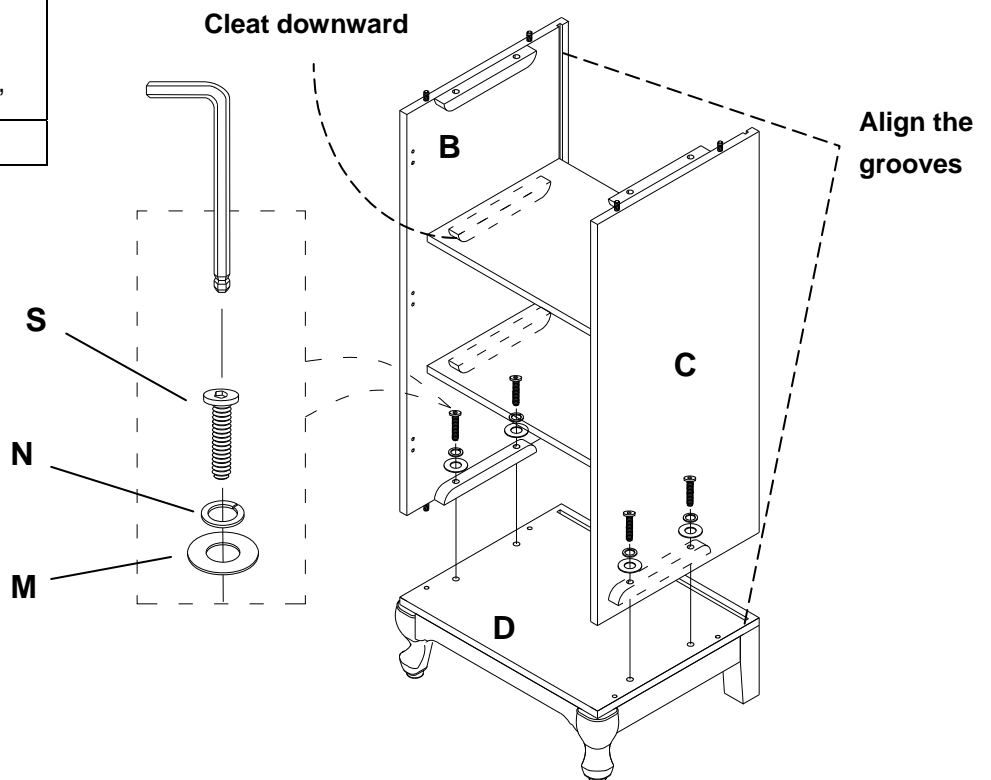
3. Attach the Right Side Panel (C) to Shelves (E) using the Bolt (S), Spring Washer (N) and Flat Washer (M). Loosely tighten the bolts, and then tighten with Allen Key.

M	N	S
		 Dia. 1/4" x 1"
4 X	4 X	4 X

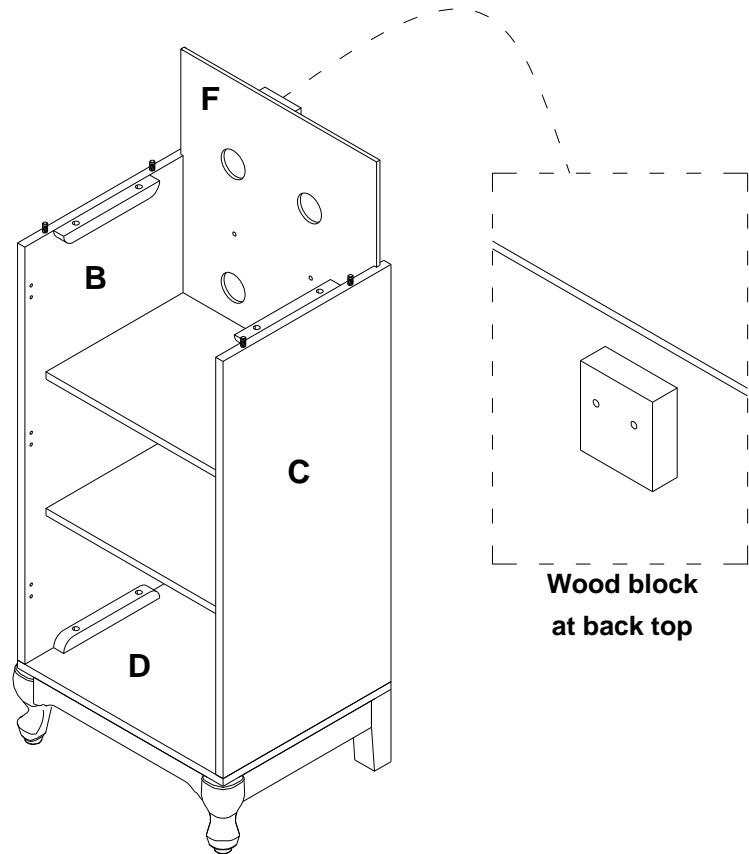


4. Attach assembly in step 3 to assembly in step 1 using the Bolt (S), Spring Washer (N) and Flat Washer (M). Loosely tighten the bolts, and then tighten with Allen Key.

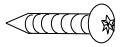
M	N	S
		 Dia. 1/4" x 1"
4 X	4 X	4 X

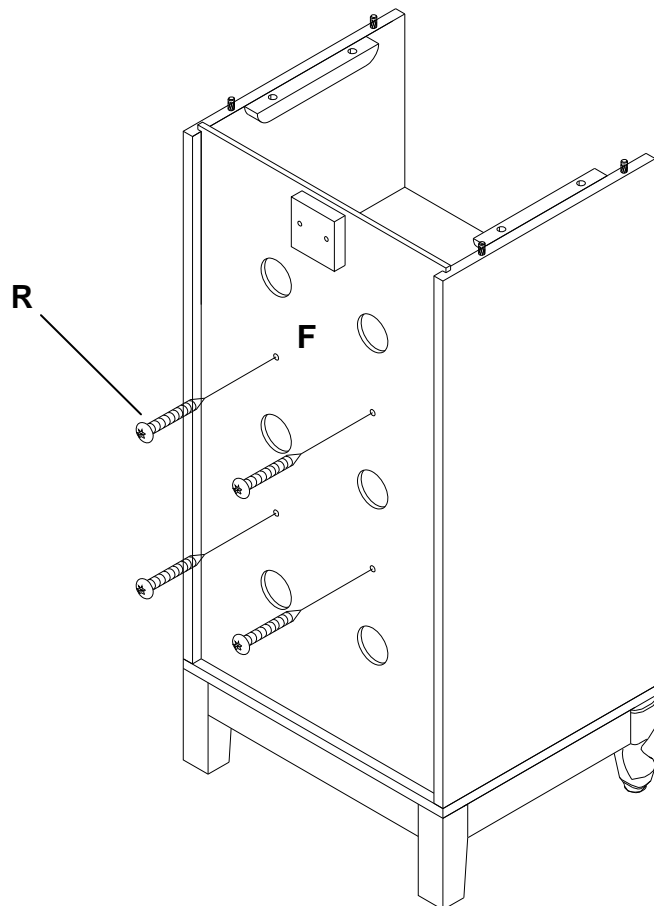


5. Slide Back Panel (F) into grooves on Side Panels (B and C) and Bottom (D) as shown below.



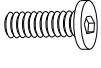


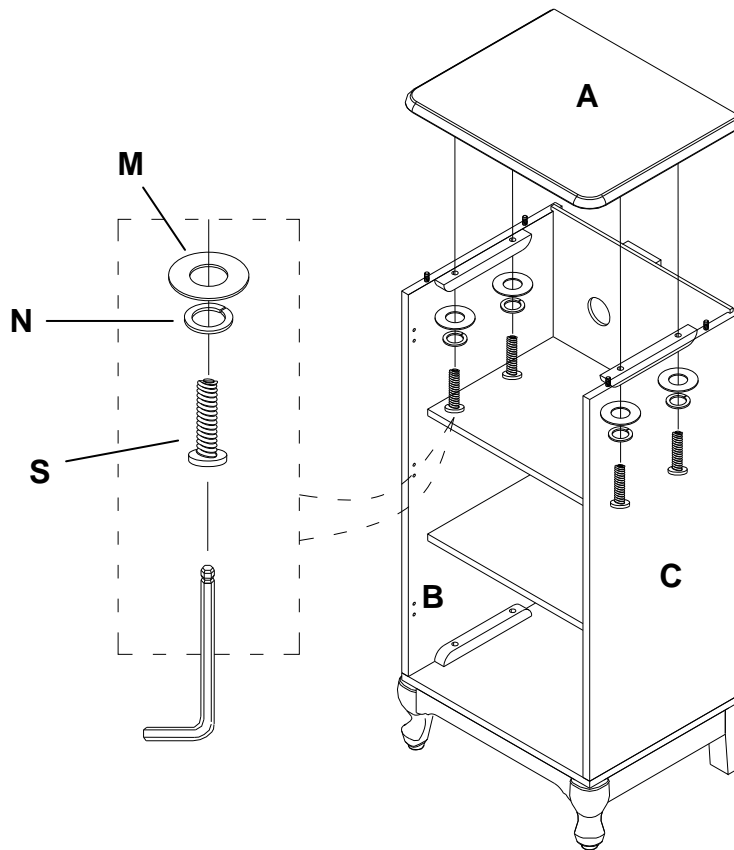
6. Align the holes on Back Panel (F) with the pre-drilled holes on Shelves (E), insert Screws (R) and tighten with Phillips Head Screwdriver.

R

25mm
4 X

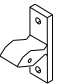
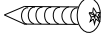
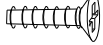


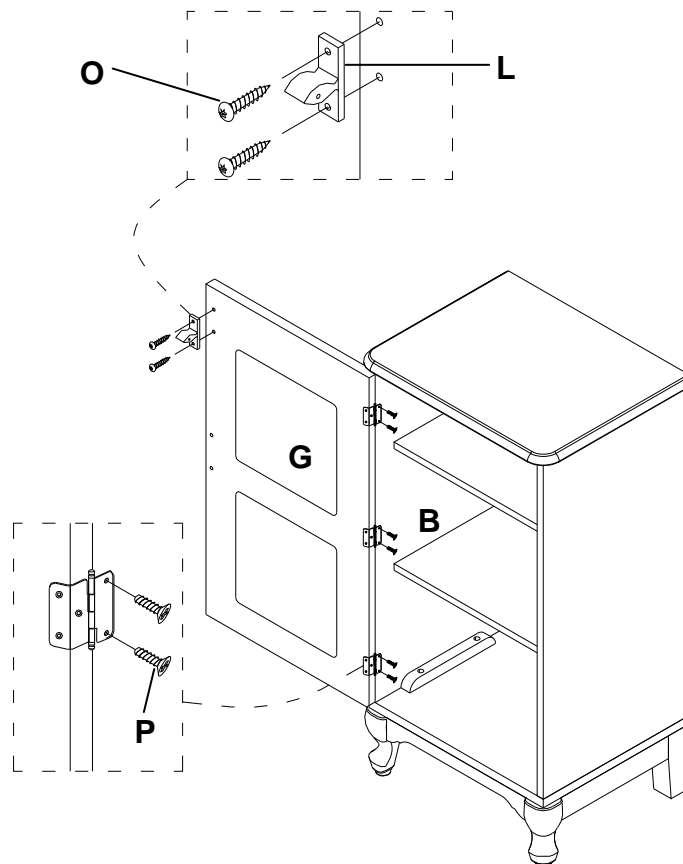
7. Attach Top Panel (A) to the Side Panels (B and C) using Bolt (S), Spring Washer (N) and Flat Washer (M). Loosely tighten the bolts, and then tighten with Allen Key.

M	N	S
		 Dia. 1/4" x 1"
4 X	4 X	4 X



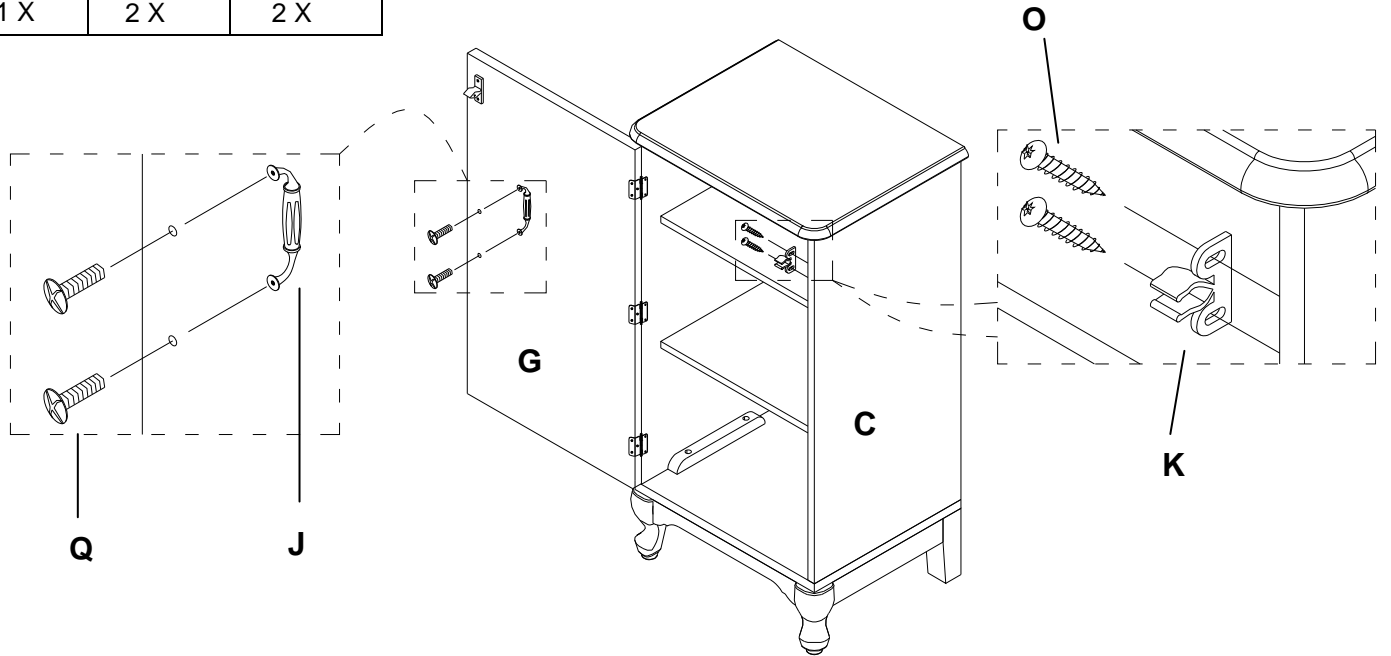
8. Attach Door (G) to Left Side Panel (B) using Screws (P) with Phillips Head Screwdriver. Attach Door Catch Male (L) to Door (G) using Screws (O) with Phillips Head Screwdriver.

L	O	P
	 10mm	 12mm
1 X	2 X	6 X

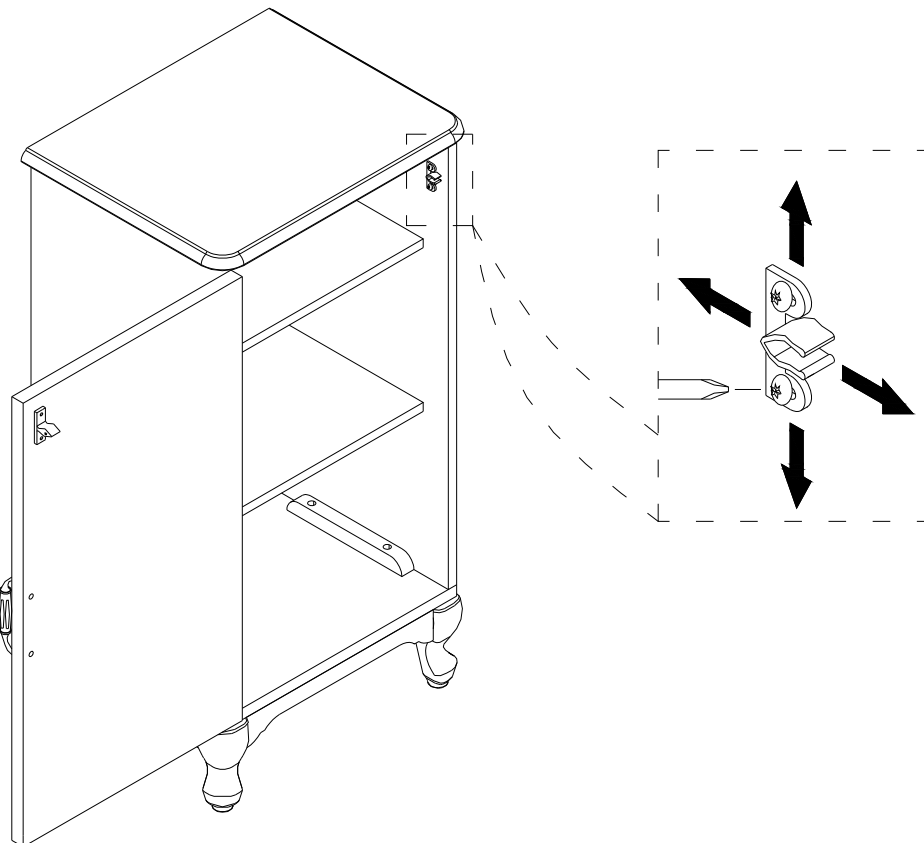


9. Attach Door Catch Female (K) to Right Side Panel (C) using Screws (O) with Phillips Head Screwdriver.  
 Attach Handle (J) to Door (G) using Screws (Q) with Phillips Head Screwdriver.

K	O	Q
1 X	2 X	2 X



10. Close the door and check if the door catches (L and K) can be matched very well. If not, slightly loose the screws of the door catch female, adjust it to be matched with door as shown, and then tighten up the screws.

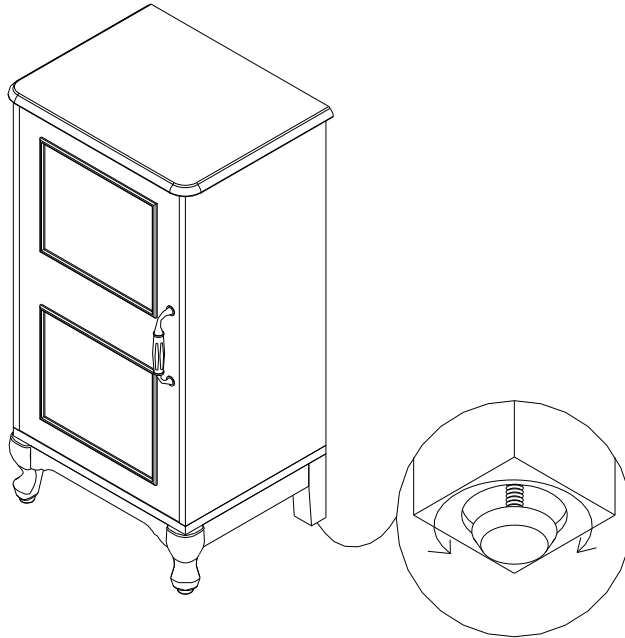




### Adjusting the levelers:

Due to an uneven floor, the furniture may not sit level due causing it to wobble. If the furniture wobbles, determine which corner does not touch the ground correctly. With two people follow these steps:

1. Carefully elevate the item slightly to provide access to the levelers attached to the bottom.
2. Turn the levelers until adequate contact will be made with the floor. Gently set down the piece and check stability.
3. Repeat steps until furniture sits firmly on the ground.



### Care Instructions:

- Dust often using a clean, soft, dry and lint-free cloth.
- Blot spills immediately and wipe with a clean, damp, cloth.
- We do not recommend the use of chemical cleansers, abrasives or furniture polish on our lacquered finish.
- Hardware may loosen over time. Periodically check to make sure all connections are tight. Re-tighten if necessary.

Thank you for your purchase  
Stores | catalog

# FURNITURE TIPPING RESTRAINT

**WARNING:** This product is only a deterrent. It is not a substitute for proper adult supervision. Manufacturer assumes no liability for improper installation or excessive loads placed on screws, brackets or straps.

Young children may be injured by tipping furniture and the use of a tipping restraint is highly recommended.

When properly installed, this restraint will provide protection against tipping of furniture. This tipping restraint **MUST** be secured to a wall-stud or wall structure of similar strength.

Hardware included:

- |                               |  |
|-------------------------------|--|
| (2) Brackets                  | (1) Nylon Strap                          |
| (2) Long Stud Mounting Screws | (2) Short Furniture-Side Mounting Screws |

Note: For safe mounting it is essential to use the proper hardware for your wall type. The included hardware is for drywall or stud mounting only. For other wall types (e.g., plaster, concrete and brick) please consult your local hardware store for fastener advice.

To install:

**1) LOCATING THE STUDS:** Use a stud finder to locate the vertical wooden studs within your wall located behind the final position of the furniture item. Mark the stud locations with a light pencil-mark.

**2) MOUNTING THE FURNITURE-SIDE BRACKET:** Move the furniture item close to the wall to its final position. Use pieces of tape or a pencil to transcribe the stud locations of the wall onto the furniture item. Move the furniture item again so you can access its back and use the marks to locate a suitable mounting point for the furniture-side bracket. Make sure that the bracket is secured to a firm portion of the furniture frame and as high as possible. Remember: The furniture-side bracket must be positioned near a wall stud. Using a pencil, and the bracket as a guide, mark "screw marks" on the furniture item through the bracket holes.

Use a 3/32" drill bit to drill pilot holes into the furniture item at the "screw marks". Use the TWO Short screws to secure the furniture-side bracket. This bracket can be positioned either vertically or horizontal as necessary (See Figure 1).

**3) MOUNTING THE WALL-SIDE BRACKET:** Position the wall-side bracket along the selected stud mark so that it will be adjacent the furniture-side bracket when the furniture item is moved to its final position. The wall-side bracket should be about ONE inch lower than the furniture-side bracket (See Figure 3). Use the TWO Long screws to secure the wall-side bracket to the wall. Remember to position the wall-side bracket vertically so that both screws will engage the selected wall stud (See Figure 2).

**4) ATTACHING THE STRAP:** When both brackets are securely attached, move the furniture to its final desired position and thread the strap through the openings of each bracket and also through the ratcheting "buckle". Tighten the strap until several "clicks" are heard. The furniture item is now securely tethered to the wall.

Note: If you must move the furniture item, you can release the strap by depressing the lever arm located at its buckle and simultaneously withdrawing the strap from the buckle. Make sure to reconnect the strap once the furniture item is returned to its previous position.

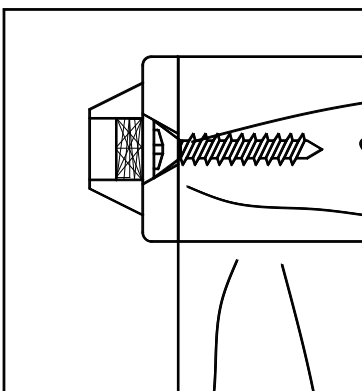


Figure 1

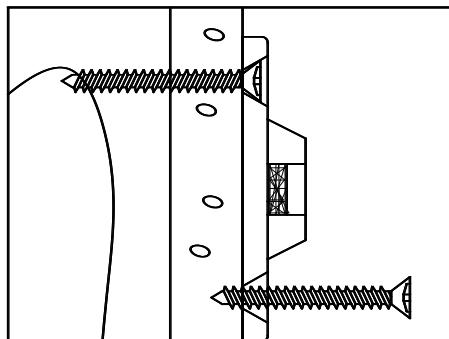


Figure 2

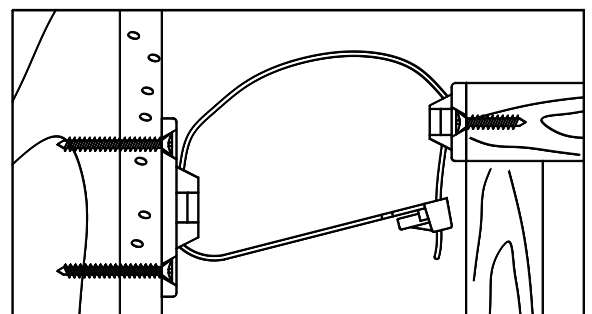


Figure 3