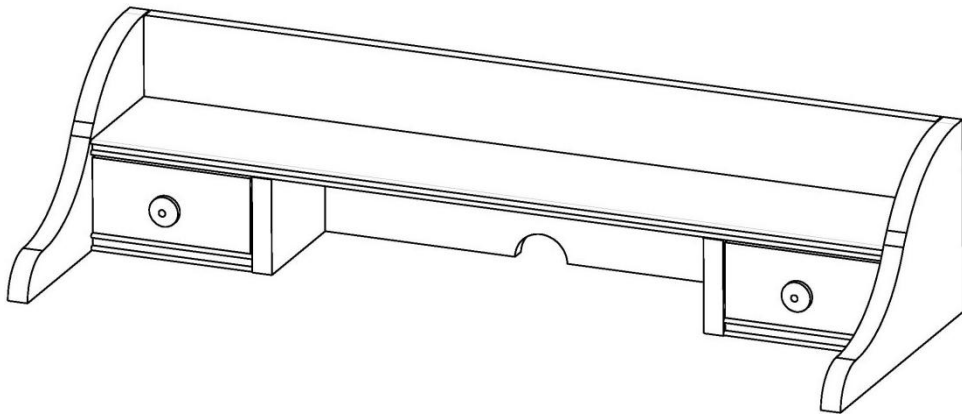


pottery barn kids

HAILEY HUTCH

ASSEMBLY INSTRUCTIONS



Date: 2014-Apr.-11

www.potterybarnkids.com

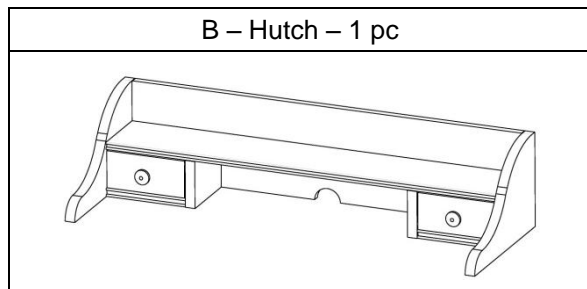
Important Safety Instructions:

- Please read all instructions carefully before assembling.
- For your safety, assembly by two or more adults is strongly recommended.
- Keep instructions for future use.
- Use only vendor supplied hardware to assemble. Using unauthorized hardware could jeopardize the structural integrity of the item.
- Note: Do not fully tighten all bolts until all parts are in place. Failure to follow these instructions may cause the bolts to misalign during assembly.
- NOTE : USE THE ANTI-TIP KIT PROVIDED TO SAFELY SECURE YOUR PRODUCT(S). FOLLOW THE INSTRUCTION PROVIDED TO PREVENT SERIOUS INJURY FROM TIPPING FURNITURE.

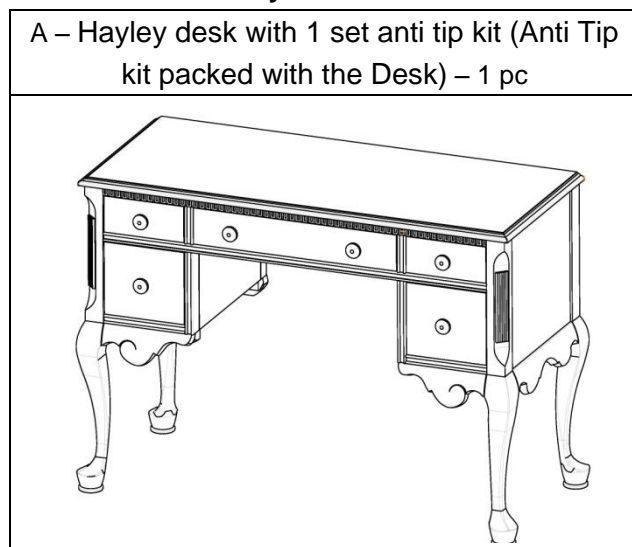
Pre-assembly:

- Remove all parts and hardware from the box and lay out on a clear carpeted or scratch-free work surface, as this will avoid damaging parts during assembly. The shipping box provides an ideal work surface.
- Do not dispose of any packaging or contents of the shipping carton until assembly is completed to avoid accidentally discarding small parts or hardware.
- Use the parts and hardware lists below to identify and separate each of the pieces included.
- The illustrations provided allow for easier assembly when used in conjunction with the assembly instructions.
- The use of power tools to aid in assembly is not recommended. Power tools can damage hardware and split wood.

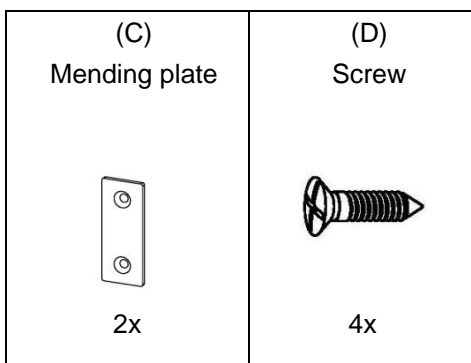
Parts Included:



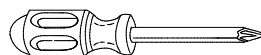
Needed For Assembly:



Hardware Included:



Tools Required (not included):



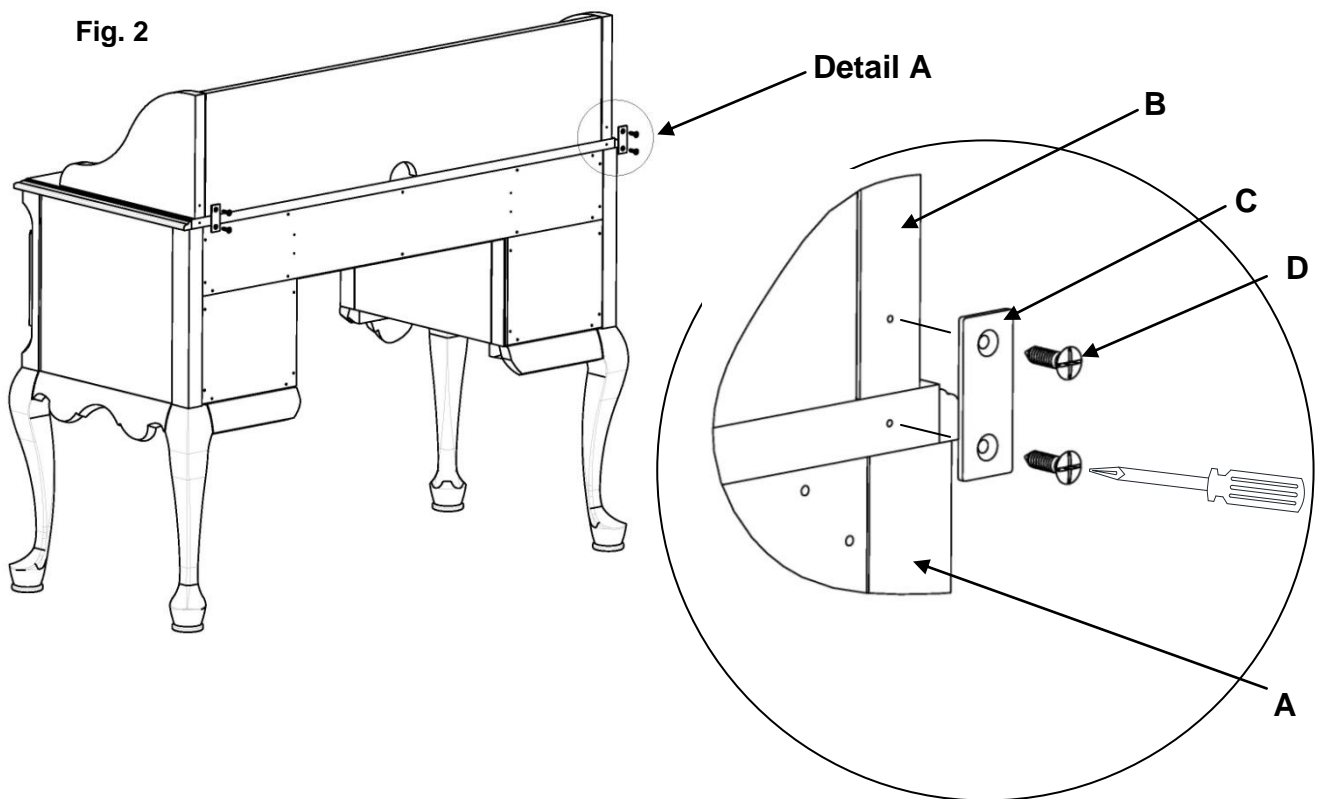
Phillips Head Screwdriver

Assembly Instruction Steps:

1. With the help of two people, carefully lift the Hutch (B) on top of the Hailey desk (A) as shown in Fig. 1



2. Secure the hutch (B) to the desk (A) by assembling the mending plates (C) into the pre-drilled holes on the back of the hutch and desk using screws (D). Tighten using a Phillips head screwdriver, as shown in fig. 2



Care Instructions:

- Dust often using a clean, soft, dry and lint-free cloth.
- Blot spills immediately and wipe with a clean, damp, cloth.
- We do not recommend the use of chemical cleansers, abrasives or furniture polish on our lacquered finish.
- Hardware may loosen over time. Periodically check to make sure all connections are tight.
- Re-tighten if necessary.