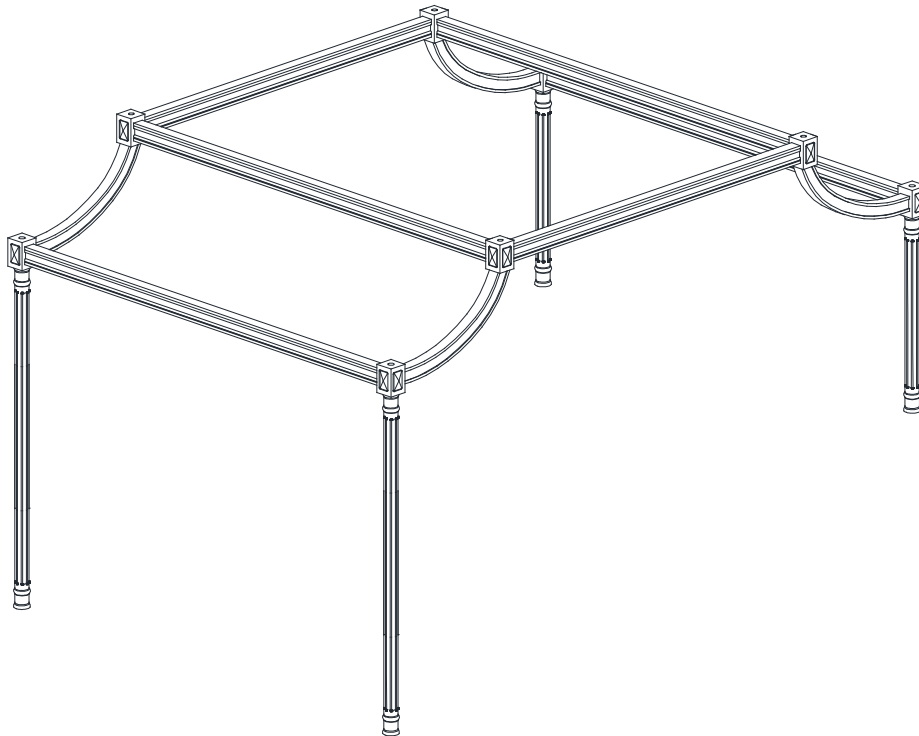


pottery barn kids

BLYTHE CANOPY
ASSEMBLY INSTRUCTIONS



www.potterybarnkids.com

Date: 2013-May-03

Rev:

Page 1 of 5

Important Safety Instructions:

- Please read all instructions carefully before assembling.
- For your safety, assembly by two or more adults is strongly recommended.
- Keep instructions for future use.
- Use only vendor supplied hardware to assemble. Using unauthorized hardware could jeopardize the structural integrity of the item.

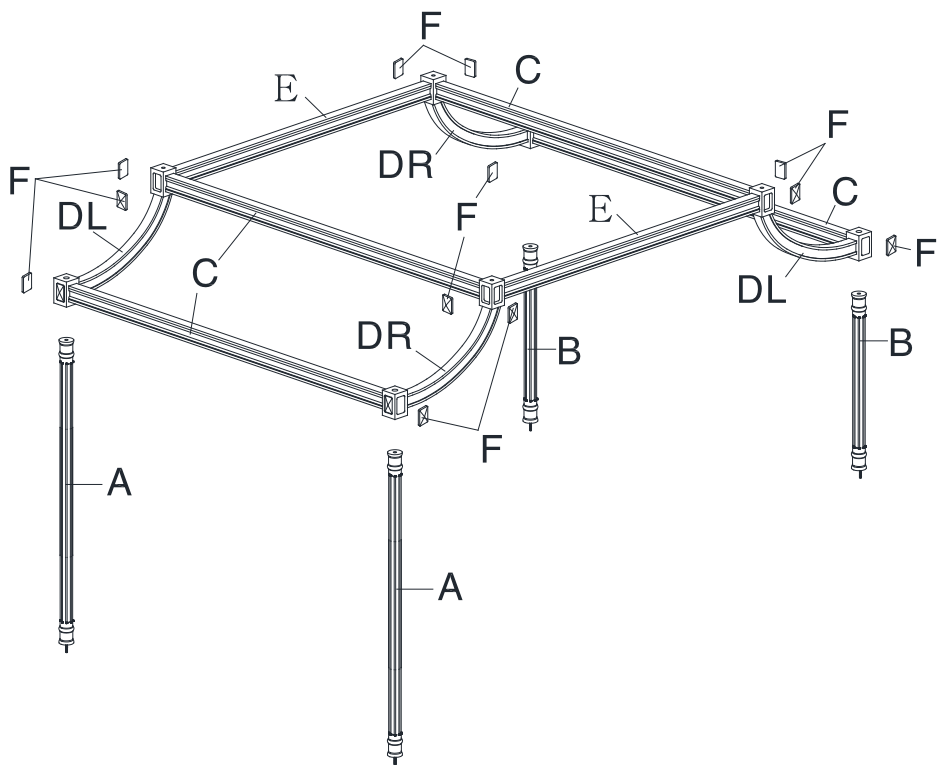
Pre-assembly:

- Remove all parts and hardware from the box and lay out on a clear carpeted or scratch-free work surface, as this will avoid damaging parts during assembly. The shipping box provides an ideal work surface.
- Do not dispose of any packaging or contents of the shipping carton until assembly is completed to avoid accidentally discarding small parts or hardware.
- Use the parts and hardware lists below to identify and separate each of the pieces included.
- The illustrations provided allow for easier assembly when used in conjunction with the assembly instructions
- The use of power tools to aid in assembly is not recommended. Power tools can damage hardware and

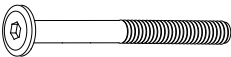


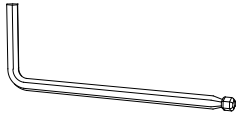
Split wood

Parts Included:

- (A) Long post - 2psc
- (B) Short post - 2psc
- (C) Center canopy - 4psc
- (DL) Left Small canopy - 2psc
- (DR) Right Small canopy - 2psc
- (E) Long canopy - 2psc
- (F) Decor cover - 12psc



Hardware Included:

(G) Bolt 5/16x2-1/4" - 16x 	(H) Lock washer 5/16 - 16x 	(I) Flat washer 5/16 - 16x 	(J) Allen key 4mm -1x 
---	---	--	--

TOOLS REQUIRED (Not included):

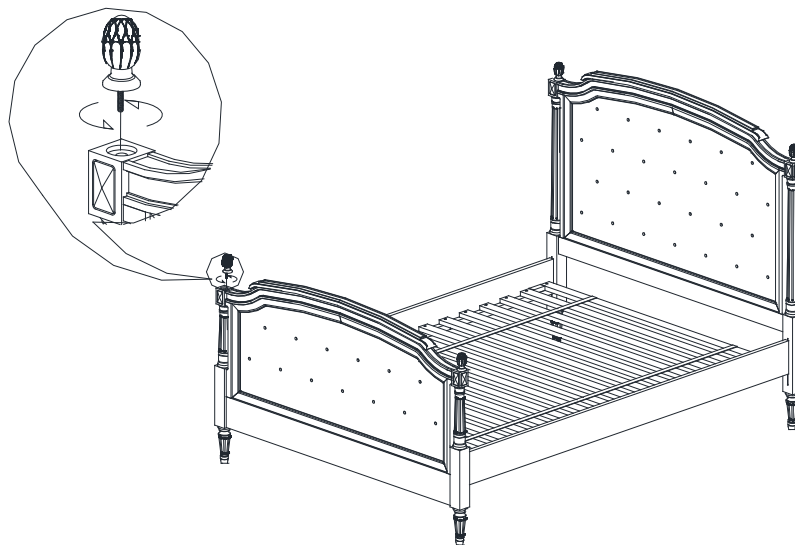


Philips Head Screwdriver

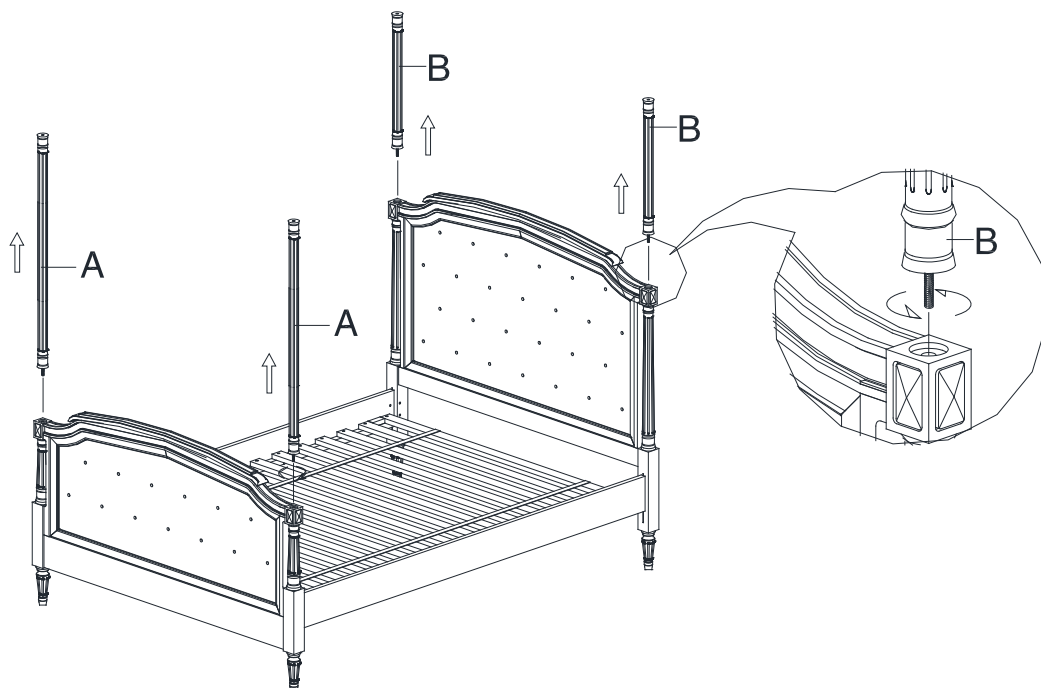
Date: 2013-May-03
Rev:

Assembly Instruction Steps:

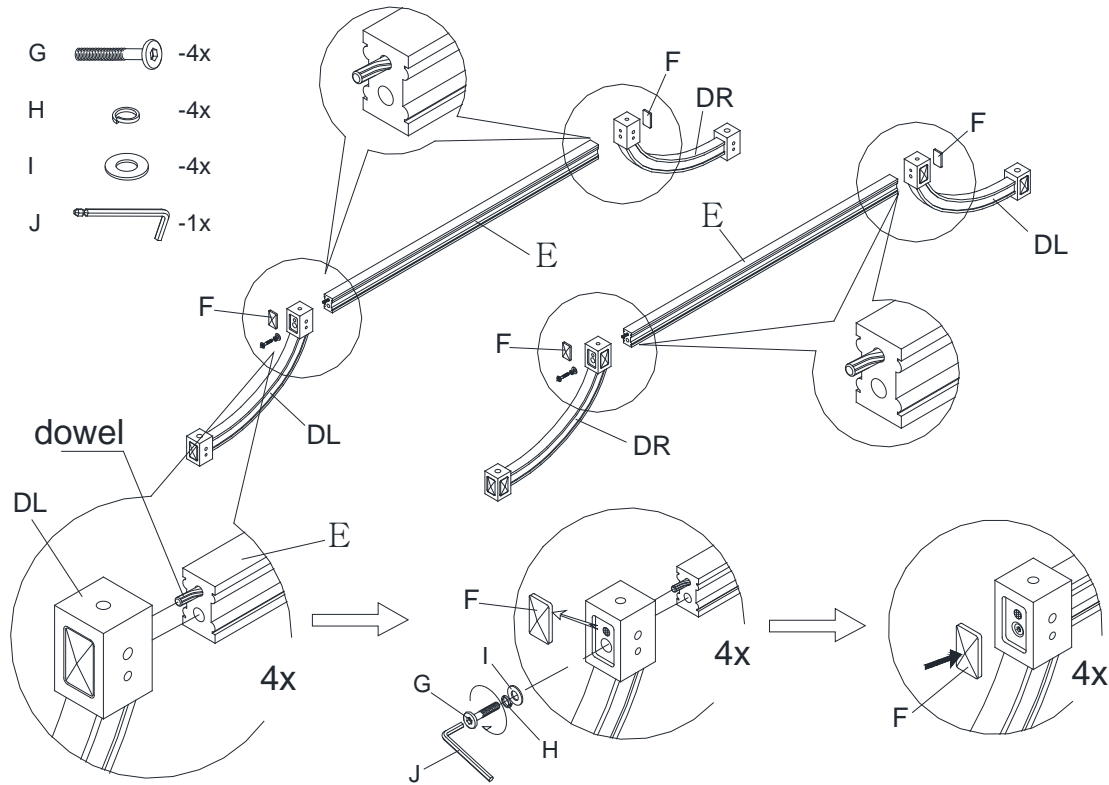
1. Remove finials from bed posts as shown below.



2. Thread Long Posts (A) onto Footboard posts and Short Posts (B) onto Headboard posts as shown below.

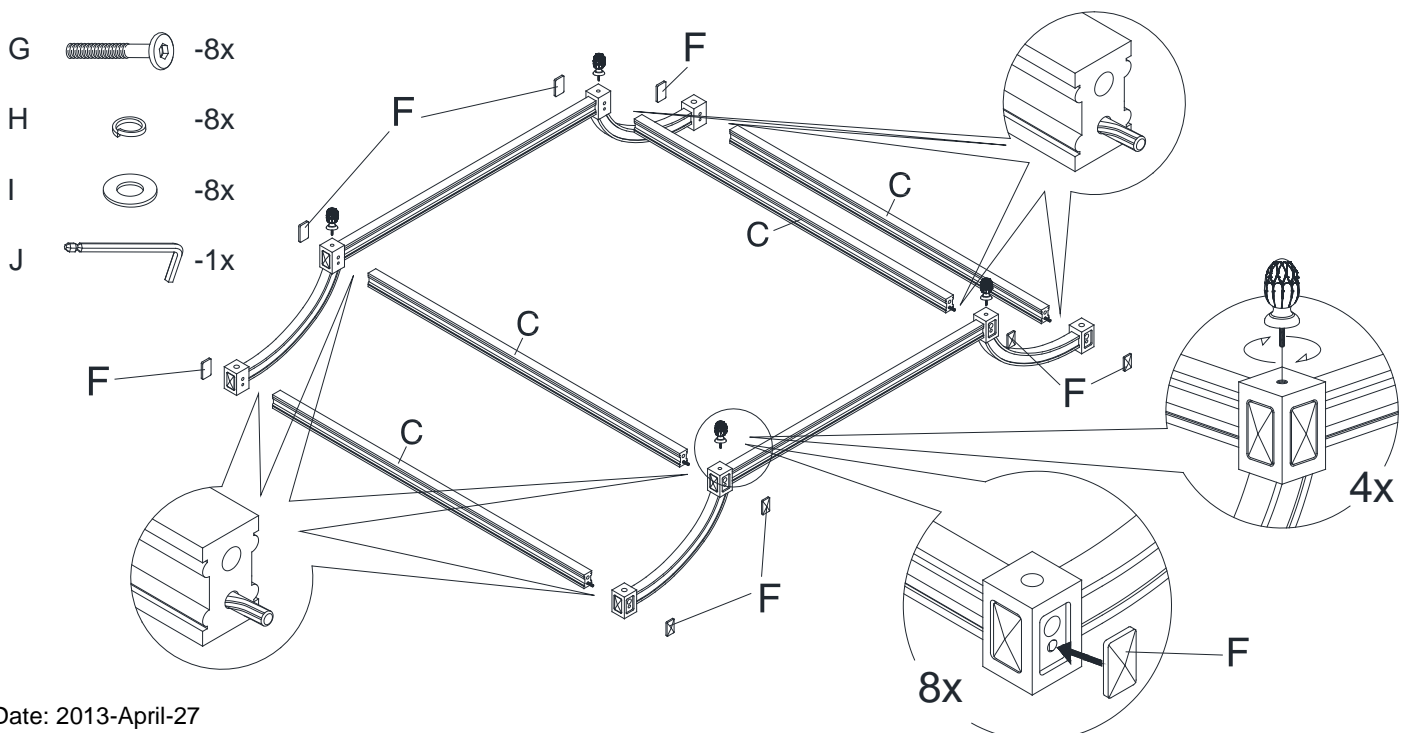


3. Take out the Décor cover (F) from the Small Canopy top front (DL) & (DR). Align the bolt hole on the Small Canopy (DL) & (DR) to the Long Canopy (E) with the pre-fixed wooden dowels. Insert the Flat washer (I), Lock washer (H) to Bolt (G) with the Allen Key (J). Tighten and put back the Décor cover (F) into the small canopy top front (DL) & (DR) as seen in the illustration below.



4. Take out the Décor cover (F) from the Small Canopy top and bottom side (DL) & (DR). Align the bolt holes on the Small Canopy top and bottom side (DL) & (DR) to the Center Canopy (C) with pre-fixed wooden dowels. Insert the Flat washer (I), Lock washer (H), Bolt (G) with the Allen Key (J) tighten and put back the Décor cover (F) into the small canopy top and bottom side, as seen in the illustration below.

5. Assembly the Finial into the Small canopy top (DL) & (DR) and tighten them.



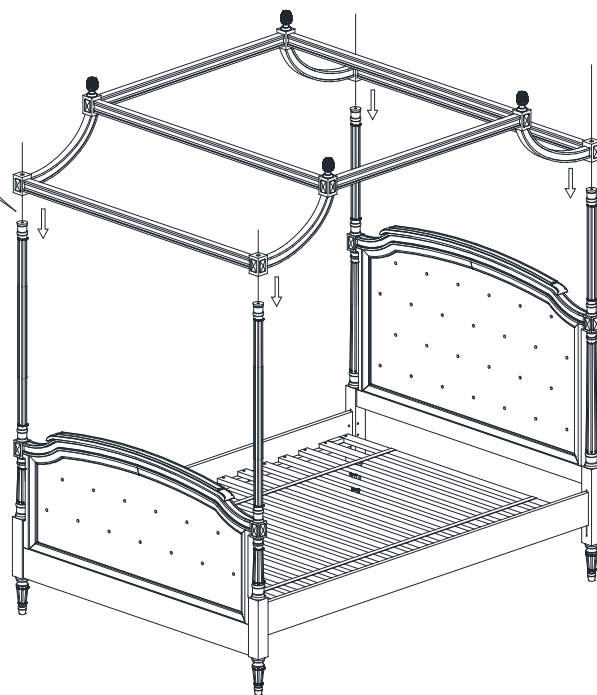
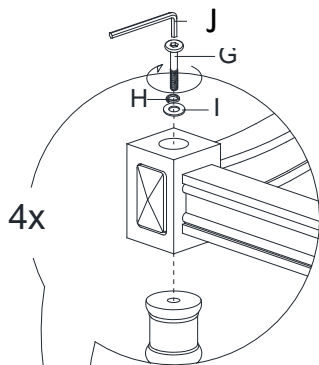
6. Secure the assembled canopy into the 4 posts. Insert the Flat washer (I), Lock washer (H), Bolt (G) with Allen key (J) and tighten.

G  -4x

H  -4x

I  -4x

J  -1x



Care Instructions:

- Dust often using a clean, soft, dry and lint-free cloth.
- Blot spills immediately and wipe with a clean, damp, cloth.
- We do not recommend the use of chemical cleansers, abrasives or furniture polish on our lacquered finish.
- Hardware may loosen over time. Periodically check to make sure all connections are tight. Re-tighten if necessary.

Thank you for your purchase
Stores | catalog | www.potterybarnkids.com
USA 1.800.290.8181