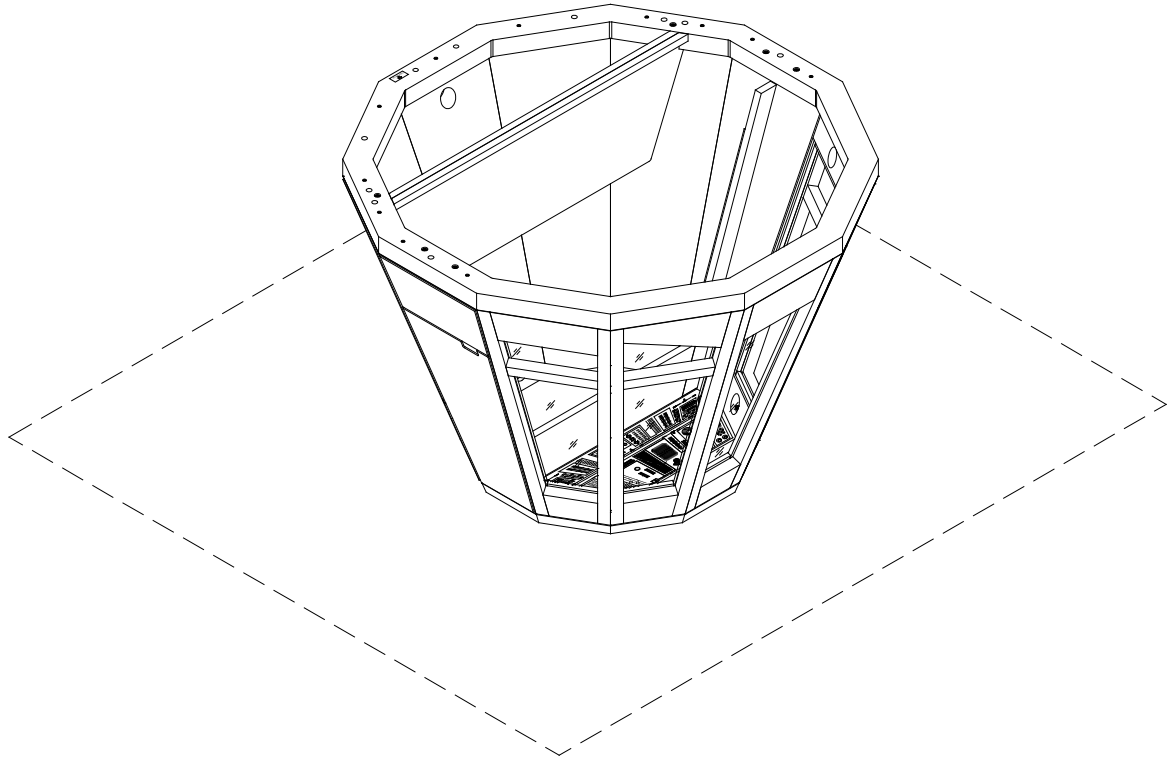


# pottery barn kids



## **STAR WARS BED (Part 1 of 2)**

**Please follow strickly this assembling instruction to prevent this bed  
from damage or misalignment.**

[www.potterybarnkids.com](http://www.potterybarnkids.com)

**Important Safety Instructions:**

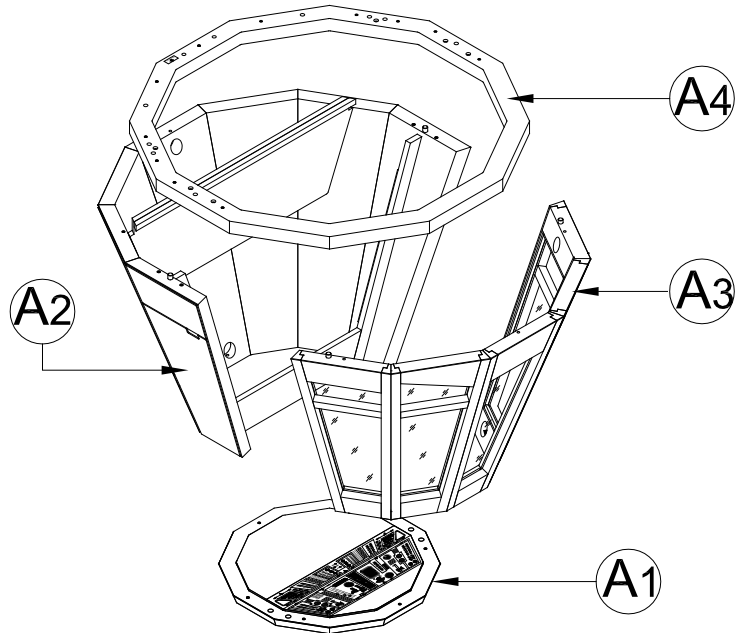
- Please read all instructions carefully before assembling.
- For your safety, assembly by **four or more adults** is strongly recommended.
- Keep these instructions for future use.
- Use only vendor-supplied hardware to assemble this item. Using unauthorized hardware could jeopardize the structural integrity of the item.

**Pre-assembly:**

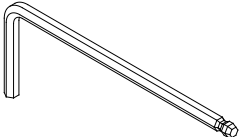
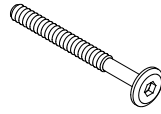
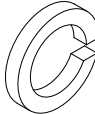
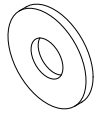
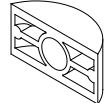
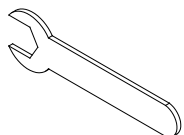
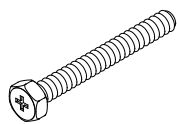
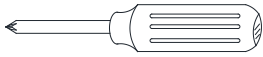
- Remove all parts and hardware from the box. Place all items on a carpeted or scratch-free work surface, as this will avoid damaging parts during assembly. The shipping box provides an ideal work surface.
- To avoid accidentally discarding small parts or hardware, do not dispose of any packaging or contents of the shipping carton until assembly is complete.
- Use the parts and hardware lists below to identify and separate each of the pieces included.
- The illustrations provided allow for easier assembly when used in conjunction with the assembly instructions.
- The use of power tools to aid in assembly is not recommended. Power tools can damage the hardware and split the wood.
- Note: Do not fully tighten all bolts until all parts are in place. Failure to follow these instructions may cause the bolts to misalign during assembly.

**Parts Included:**

- (A1) Footboard small loop (x1)
- (A2) Footboard Left Barrel (x1)
- (A3) Footboard Right Barrel (x1)
- (A4) Footboard big loop (x1)

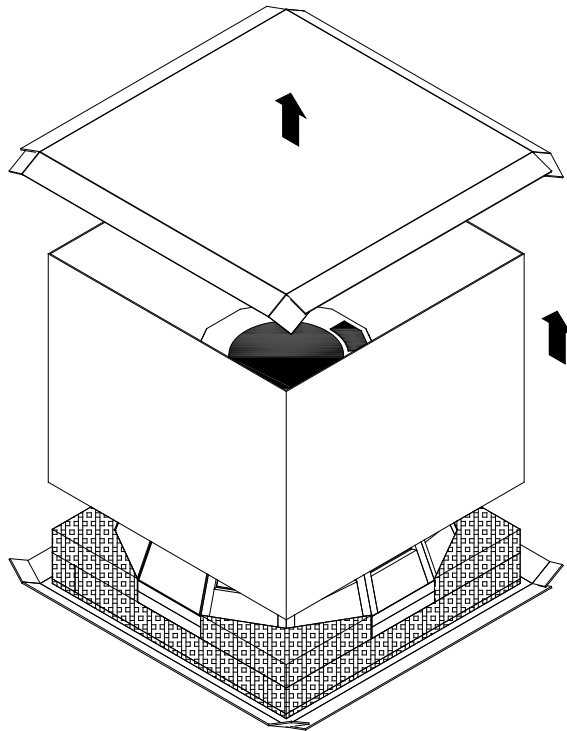


**Hardware Included:**

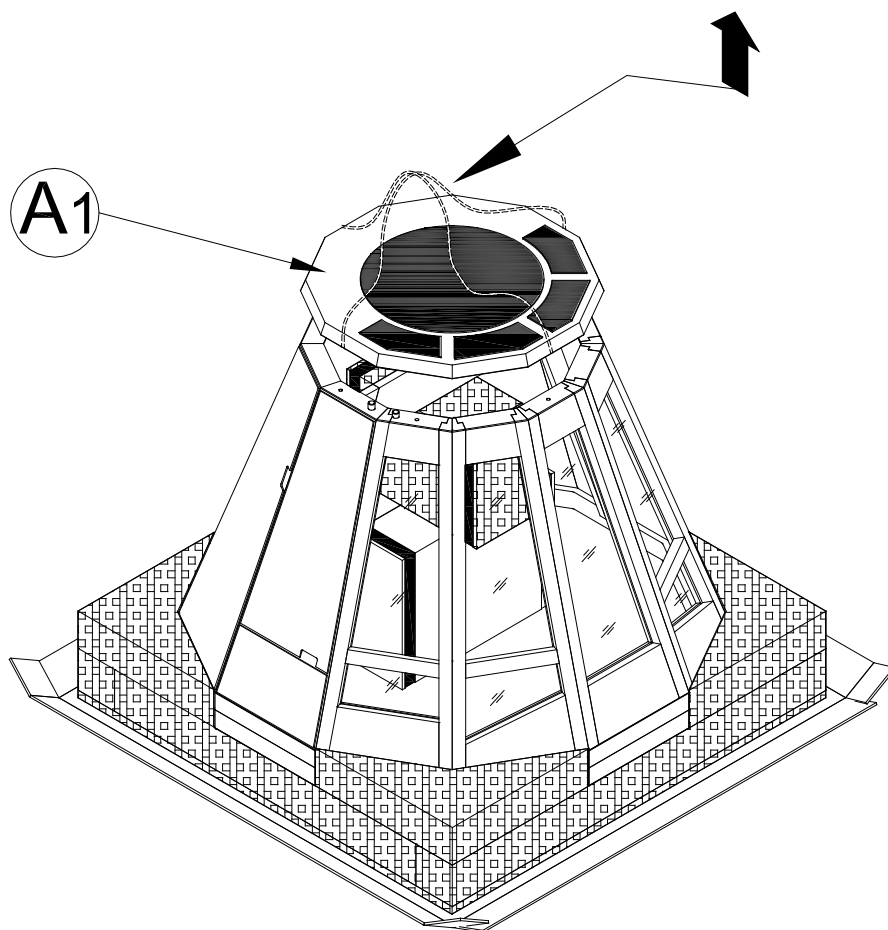
<p>(K) Allen Key with ball tip – 1x</p> 	<p>(L) Allen Bolt 1/4"x57mm - 6x</p> 	<p>(M) Spring Washer 1/4"x10x1.5mm - 16x</p> 	<p>(N) Flat Washer 1/4"x12x1.5mm - 16x</p> 	<p>(O) Half Moon Washer 1/4x24x8mm–10x</p> 
<p>(P) Wrench 88x10x2mm -1x</p> 	<p>(Q) Bolt 1/4"x45mm - 10x</p> 	<p><b>TOOLS REQUIRED (Not included):</b></p> <p>Philips Head Screwdriver </p>		

## ASSEMBLY INSTRUCTIONS

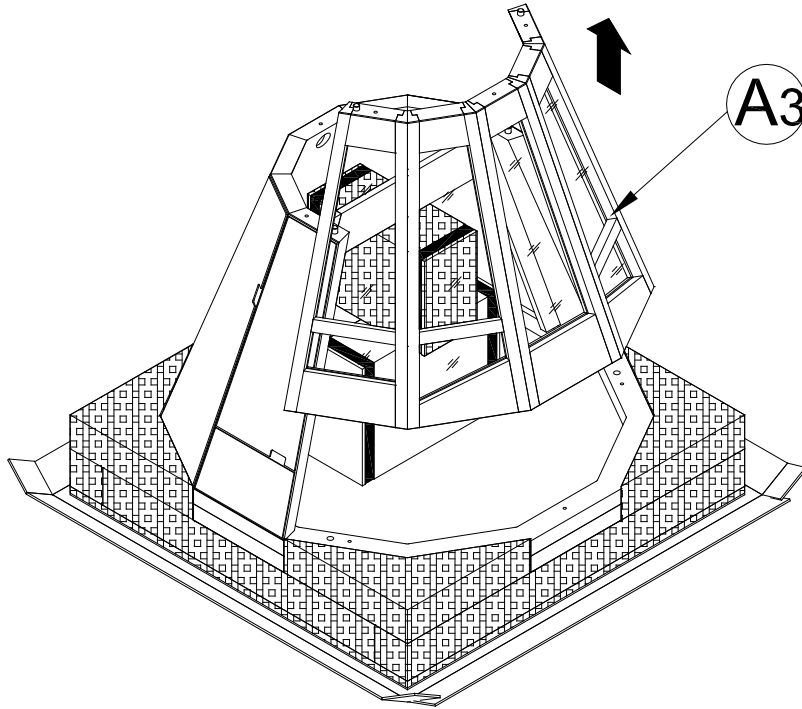
1. Remove the carton, as seen in the illustration below.



2. Remove (A1) by pulling the white line on product, as seen in the illustration below.

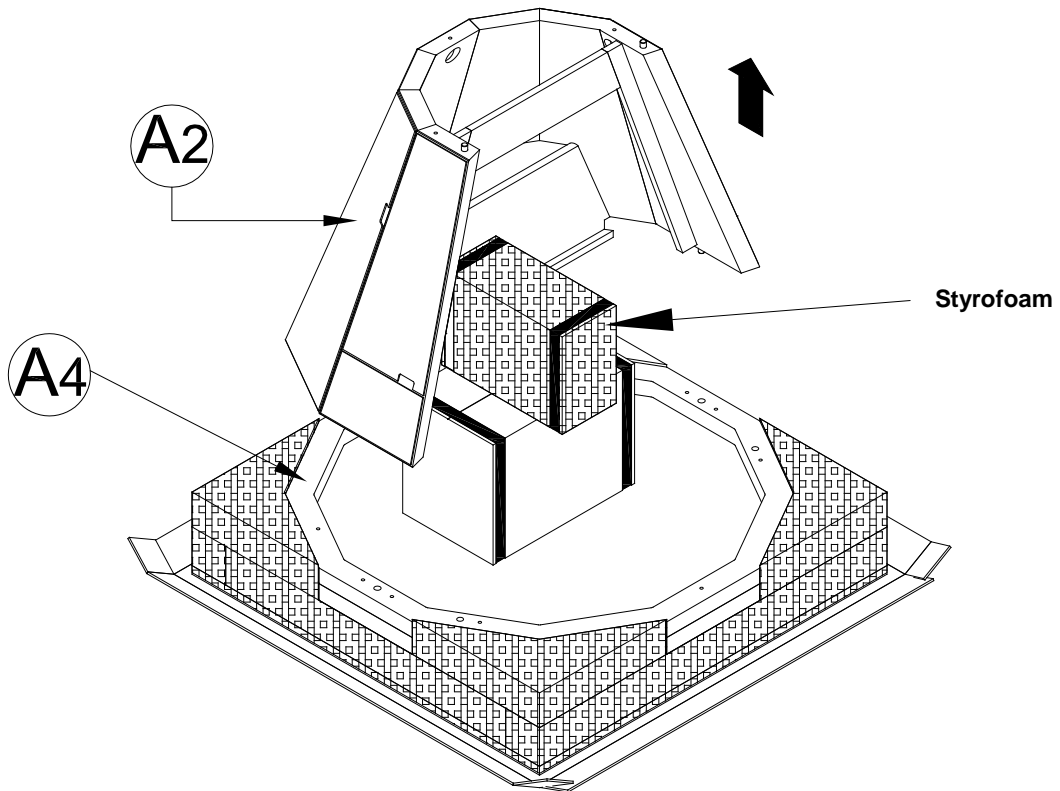


3. Remove (A3) vertically, as seen in the illustration below.




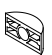


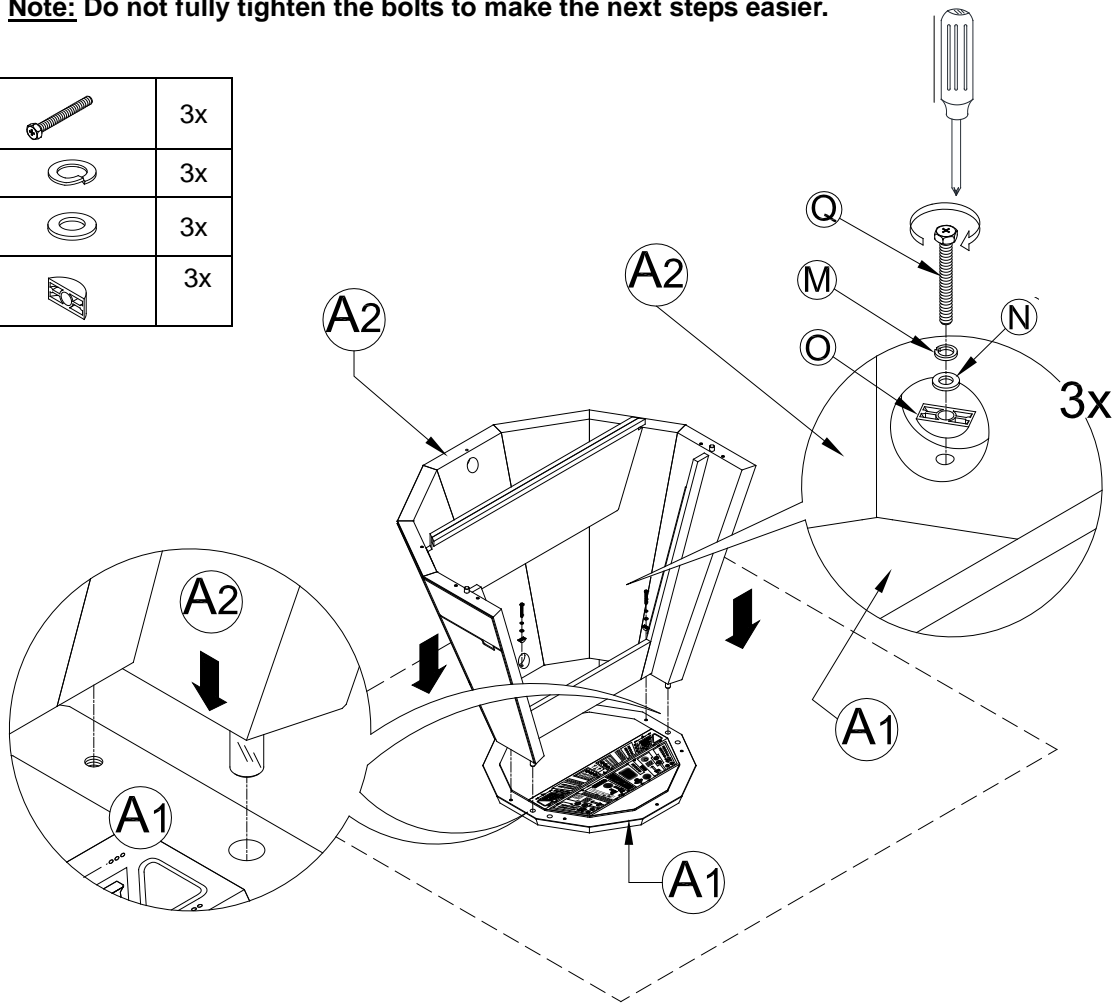
4. Remove inner box, Styrofoam, (A2) and (A4), as seen in the illustration below.

**Note:** Keep this Styrofoam for later use on the whole bed assembling.

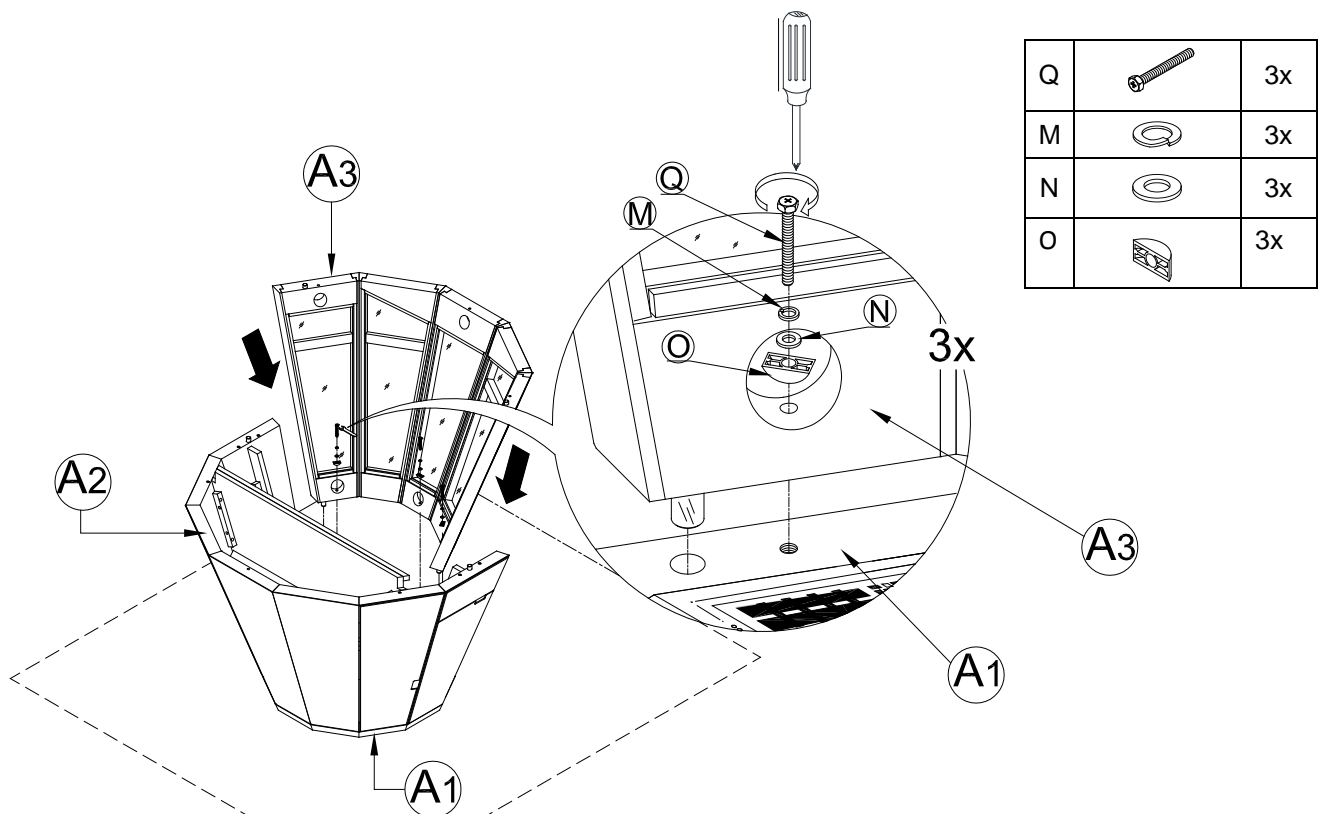






5. Attach (A2) to (A1), with the wooden dowels and pre-drilled holes aligned, as seen in the illustration below.  
**Note:** Do not fully tighten the bolts to make the next steps easier.

Q		3x
M		3x
N		3x
O		3x






6. Attach (A3) to (A1&A2), with the wooden dowels and pre-drilled holes aligned, as seen in the illustration below.  
**Note:** Do not fully tighten the bolts to make the next steps easier.

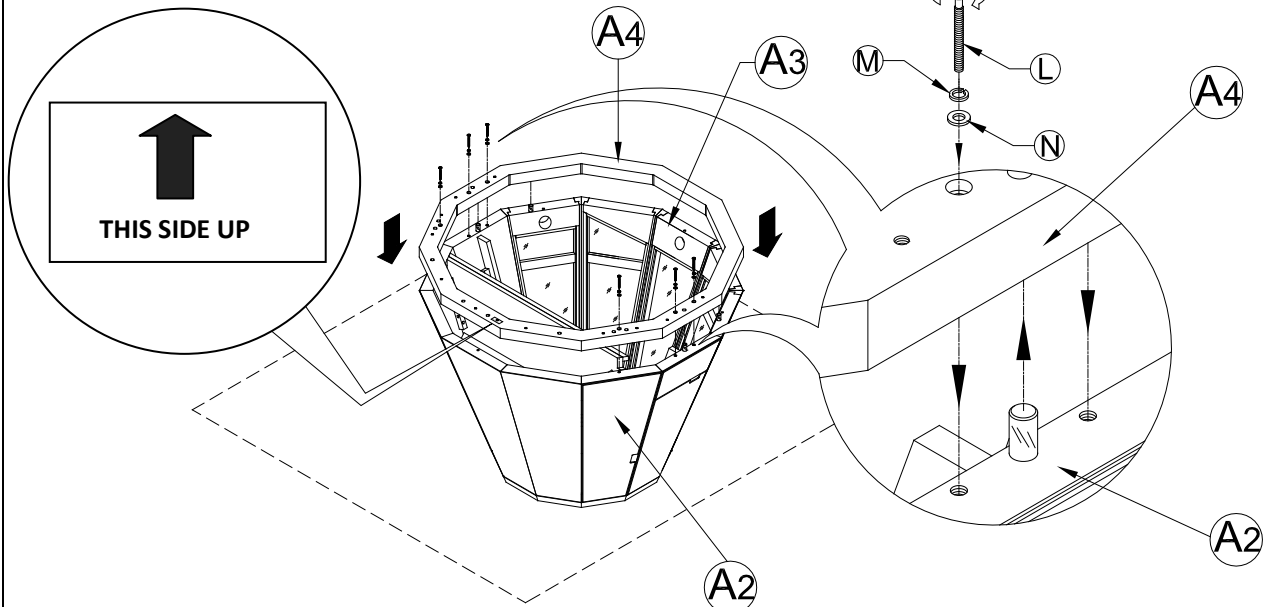





Q		3x
M		3x
N		3x
O		3x

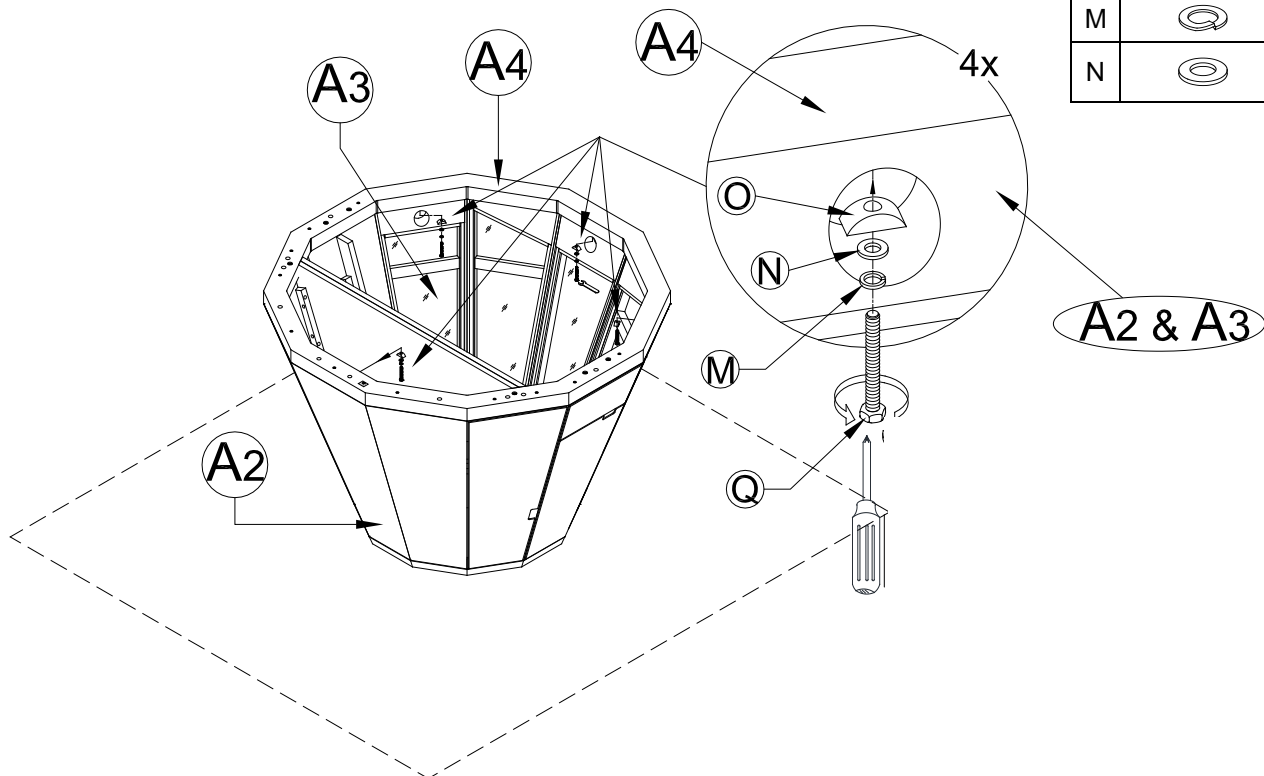
7. Attach (A4) to (A3&A2), with the pre-drilled holes aligned, as seen in the illustration below. Pay attention to the label on (A4) for correct direction.

**Note:** Do not fully tighten the bolts to make the next steps easier.

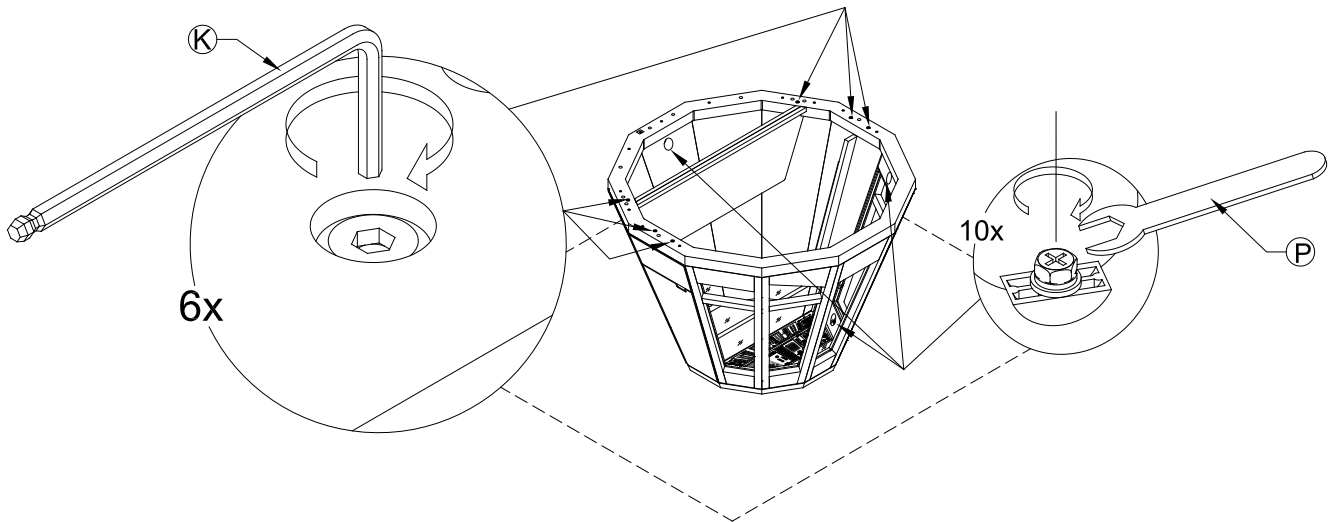
L		6x
M		6x
N		6x



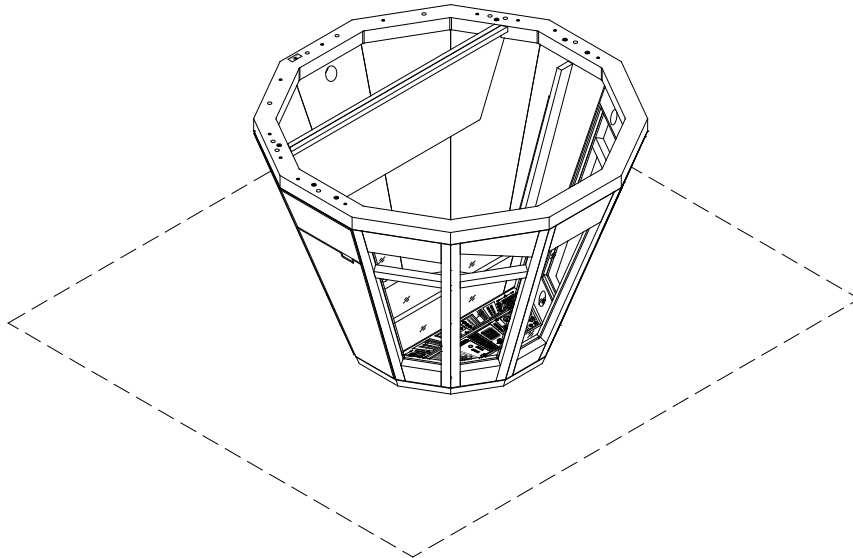
Q		4x
M		4x
N		4x



8. Check alignment and **fully tighten** all bolts again by wrench (P) and Allen Key (K).



9. Footboard assembly is done. Pls refer to separated AI in another carton for the whole bed assembly.



**Care Instructions:**

- Dust often using a clean, soft, dry, and lint-free cloth.
- Blot spills immediately and wipe with a clean, damp cloth.
- We do not recommend the use of chemical cleansers, abrasives, or furniture polish on our lacquered finish.
- Hardware may loosen over time. Periodically check to make sure all connections are tight.  
Re-tighten if necessary.

Thank you for your purchase  
Stores | catalog | [www.potterybarnkids.com](http://www.potterybarnkids.com)  
USA 1.800.290.8181