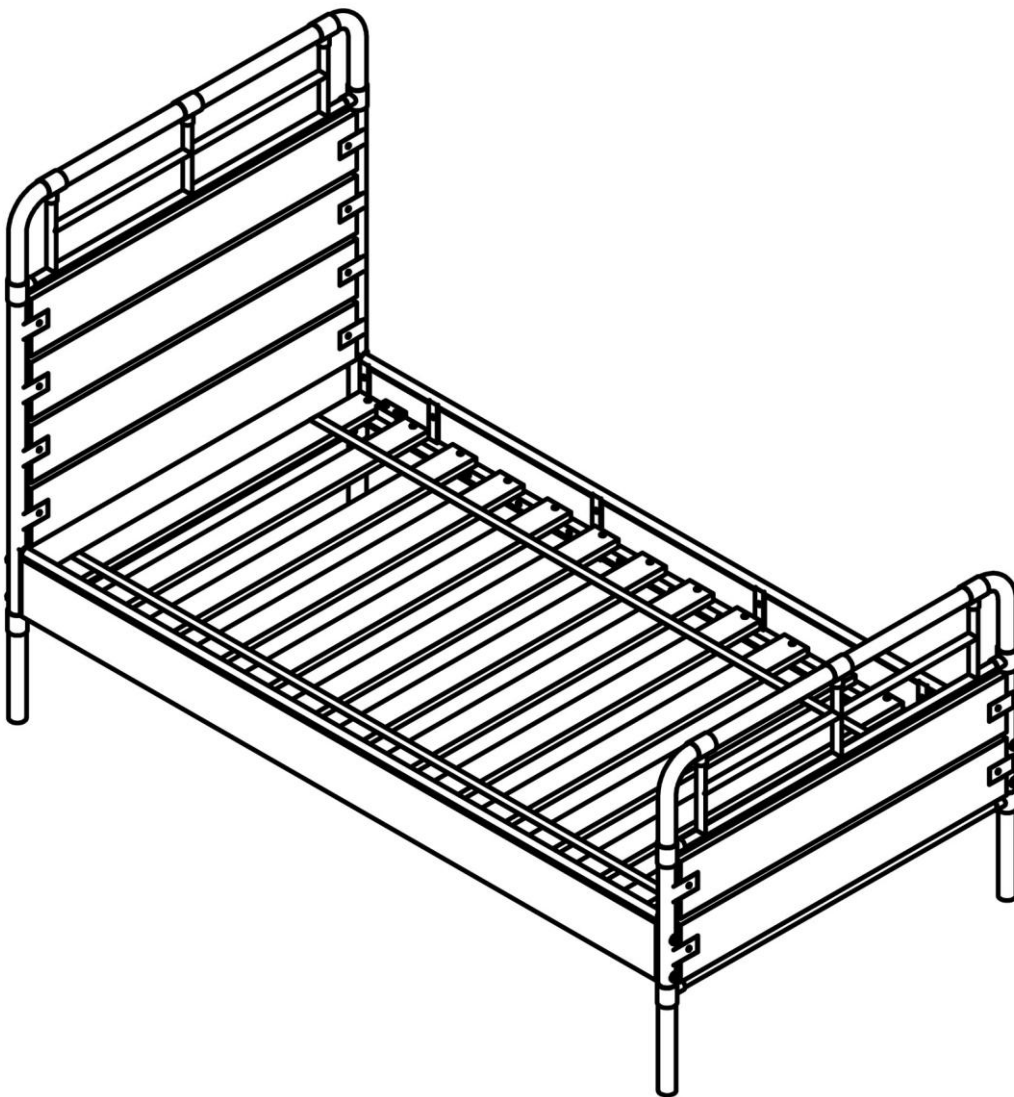


pottery barn kids

OWEN BED

ASSEMBLY INSTRUCTIONS



Date: 2013-August-15

Rev:

www.potterybarnkids.com

Important Safety Instructions:

- Please read all instructions carefully before assembling.
- For your safety, assembly by two or more adults is strongly recommended.
- Keep instructions for future use.
- Use only vendor supplied hardware to assemble. Using unauthorized hardware could jeopardize the structural integrity of the item.

Pre-assembly:

- Remove all parts and hardware from the box and lay out on a clear carpeted or scratch-free work surface, as this will avoid damaging parts during assembly. The shipping box provides an ideal work surface.
- Do not dispose of any packaging or contents of the shipping carton until assembly is completed to avoid accidentally discarding small parts or hardware.
- Use the parts and hardware lists below to identify and separate each of the pieces included.
- The illustrations provided allow for easier assembly when used in conjunction with the assembly instructions.
- The use of power tools to aid in assembly is not recommended. Power tools can damage hardware and split wood.

Parts Included:

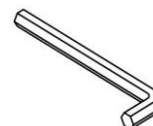
- (A) Headboard - 1pc
- (B) Footboard - 1pc
- (C) Side rails - 2pcs
- (D) Slat roll - 1set

Hardware Included:

- (E) Plastic Washer – 8x
- (F) Allen Bolt Φ 8 x 80 – 8x



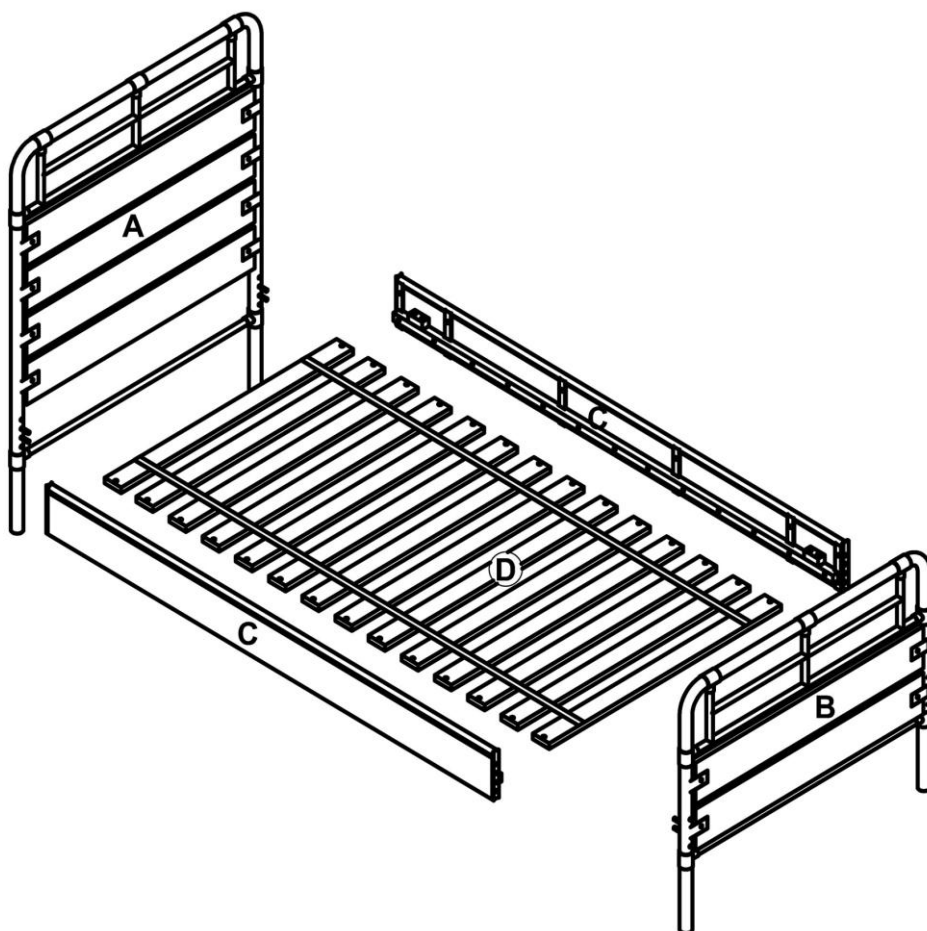
- (G) Allen Key - 1x



Tools Required (not included)

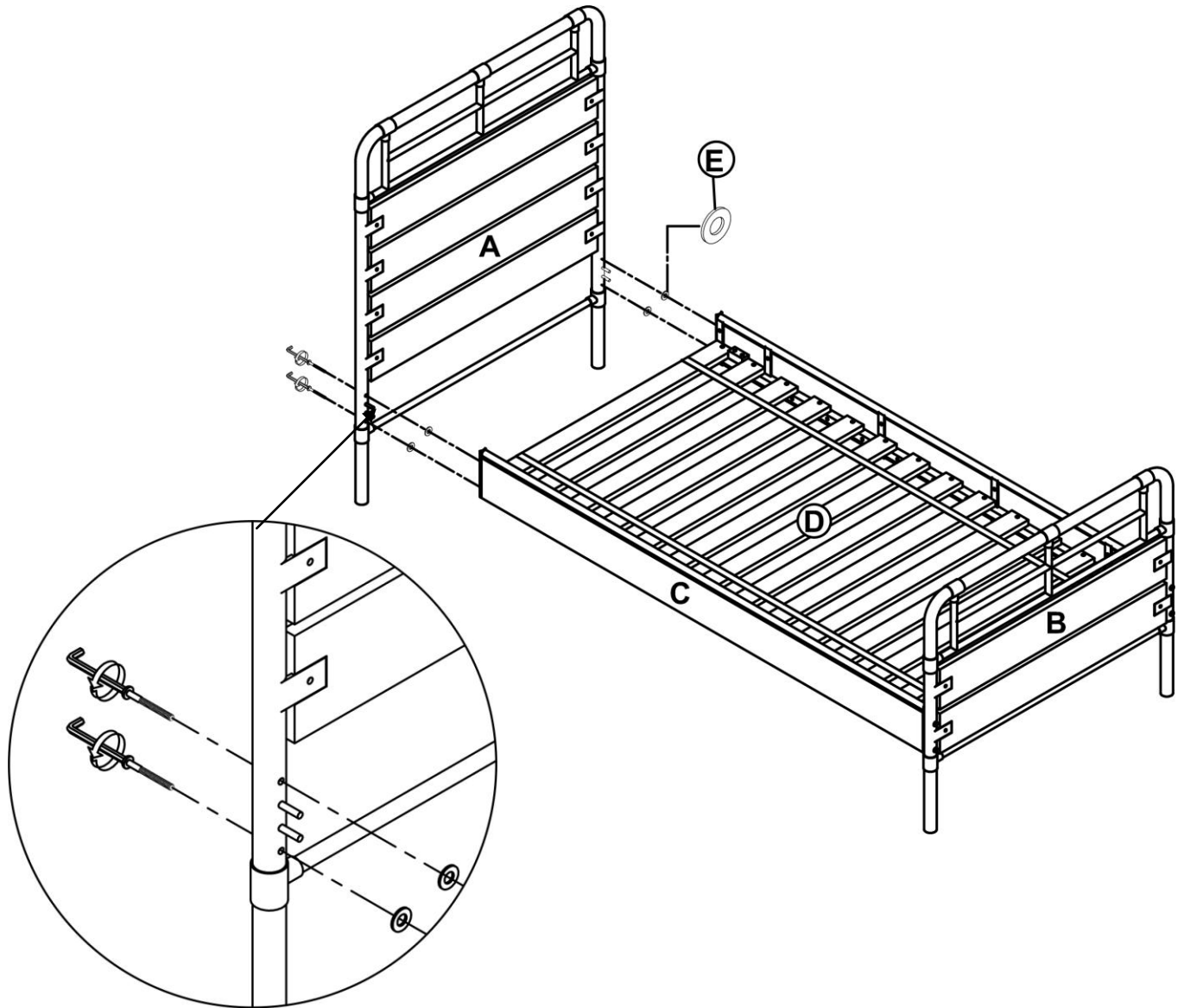


Philips Head Screwdriver



Assembly Instruction Steps:

1. Place Headboard at desired location in room.
2. Attach Side Rails (C) to the Headboard (A) and Footboard (B) with Plastic Washer (E) in between Bolts (F). Tighten all bolts (F) with the Allen Key (G) from the back of the headboard and foot board front.



Allen Bolt 8 x 80mm x8 (F)



Plastic Washer x8 (E)

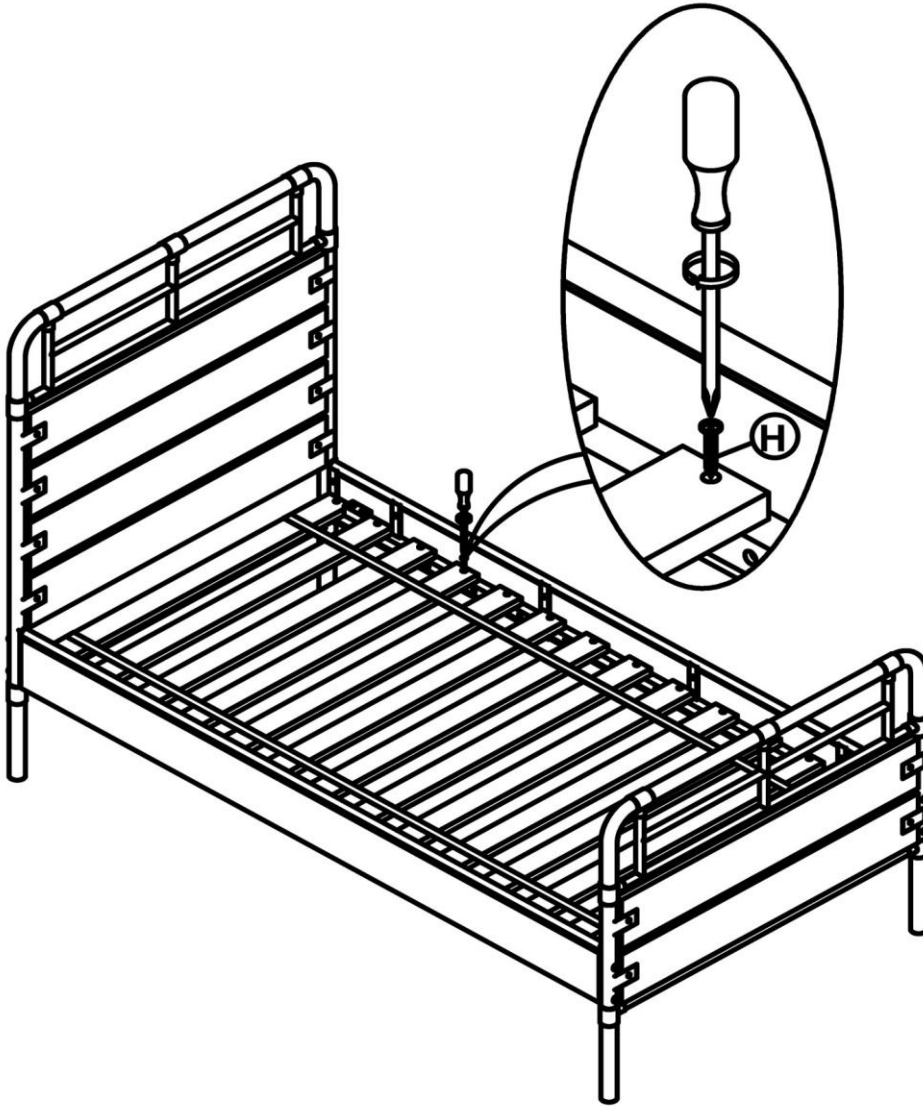


Date: 2013-August-15

Rev:

3. Install the Slat roll (D) in between the side rail as shown. Secure the slats by fastening Phillips head screw (G) with the Philips Head Screwdriver through the predrilled holes at the end of the slat and into the side rail.

(H) Screw 4x30 -28x



Care Instructions:

- Dust often using a clean, soft, dry and lint-free cloth.
- Blot spills immediately and wipe with a clean, damp, cloth.
- We do not recommend the use of chemical cleansers, abrasives or furniture polish on our lacquered finish.
- Hardware may loosen over time. Periodically check to make sure all connections are tight. Re-tighten if necessary.

Thank you for your purchase
Stores | catalog | www.potterybarnkids.com
USA 1.800.290.8181

Date: 2013-August-15
Rev: