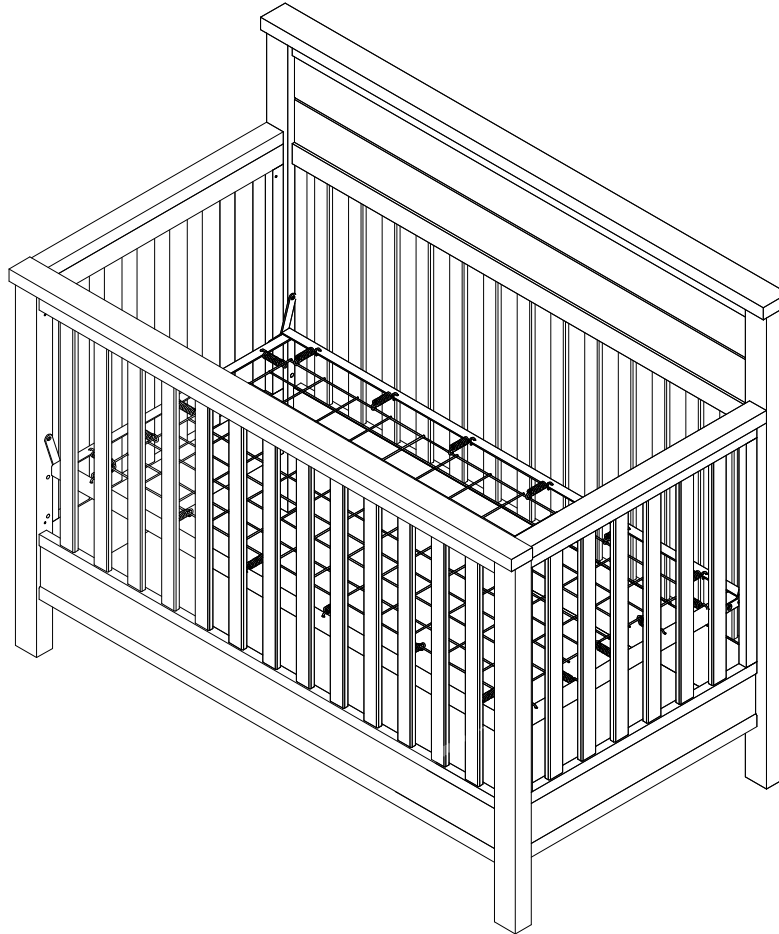


pottery barn kids



CHARLIE 4 IN 1 CRIB

www.potterybarnkids.com



WARNING

- Do not use this crib if you cannot exactly follow the accompanying instructions.
- Do not use this crib for a child who can climb out of it, or who is taller than 89 cm.
- Do not place in or near this crib any cord, strap or similar item that could become wrapped around a child's neck.
- Do not place this crib near a window or a patio door where a child could reach the cord of a blind or curtain and be strangled.
- Ensure that the crib is safe by checking regularly that every part is properly and securely in place before placing the child in it. Do not use it if any parts are loose or missing or if there are any signs of damage. Do not substitute parts. Contact Pottery Barn Kids if replacement parts or additional instructions are needed.
- Use a crib mattress that is no thicker than 15 cm and is of such a size that, when it is pushed firmly against any side of the crib, it does not leave a gap of more than 3 cm between the mattress and any part of the sides of the crib.
- Children can suffocate on soft bedding. Do not place pillows, comforters or soft mattresses in this crib.

04-000052-9



WARNING: Failure to follow these warnings and assembly instructions could

result in serious injury or death.

- Read all instructions before assembling crib. KEEP INSTRUCTIONS FOR FUTURE USE.
- Never use plastic shipping bags or other plastic film as mattress covers because they can cause suffocation.
- Infants can suffocate in gaps between the crib sides and a mattress that is too small.
- Infants can suffocate on soft bedding. Never add a pillow or comforter. Never place additional padding under an infant.
- To reduce the risk of SIDS, pediatricians recommend healthy infants be placed on their backs to sleep, unless otherwise advised by your physician.
- STRANGULATION HAZARD: Strings can cause strangulation! Do not place items with a string around a child's neck, such as hood strings or pacifier cords. Do not suspend strings over a crib or attach strings to toys.
- To help prevent strangulation tighten all fasteners. A child can trap parts of the body or clothing on loose fasteners.
- DO NOT place crib near window where cords from blinds or drapes may strangle a child
- FALL HAZARD: When child is able to pull to a standing position, set mattress to lowest position and remove bumper pads, large toys and other objects that could serve as steps for climbing out.
- Stop using crib when child begins to climb out or reaches the height of 35 in. (89cm).
- Check this product for damaged hardware, loose joints, loose bolts or other fasteners, missing parts or sharp edges before and after assembly and frequently during use. Securely tighten loose bolts and other fasteners. DO NOT use crib if any parts are missing, damaged or broken. Contact Pottery Barn Kids for replacement parts and instructional literature if needed. DO NOT substitute parts.
- DO NOT use a water mattress with this crib.
- Replace teething rail if damaged, cracked, or loose. NOTE: This is only for cribs with teething rails
- If refinishing, use a non-toxic finish specified for children's products.
- Do not remove the metal brackets from the mattress base after installation. NOTE: This is only for cribs supplied with a wooden mattress base.
- Follow warnings on all products in a crib.

04-000056-8



CAUTION: ANY MATTRESS USED IN THIS CRIB MUST BE AT LEAST 27 1/4" (69 CENTIMETERS) BY 51 5/8" (131 CENTIMETERS) WITH A THICKNESS NOT EXCEEDING 6" (15 CENTIMETERS)

THIS CRIB CONFORMS TO APPLICABLE REGULATIONS PROMULGATED BY THE CONSUMER PRODUCT SAFETY COMMISSION.

04-000094-4

IMPORTANT SAFETY INSTRUCTIONS:

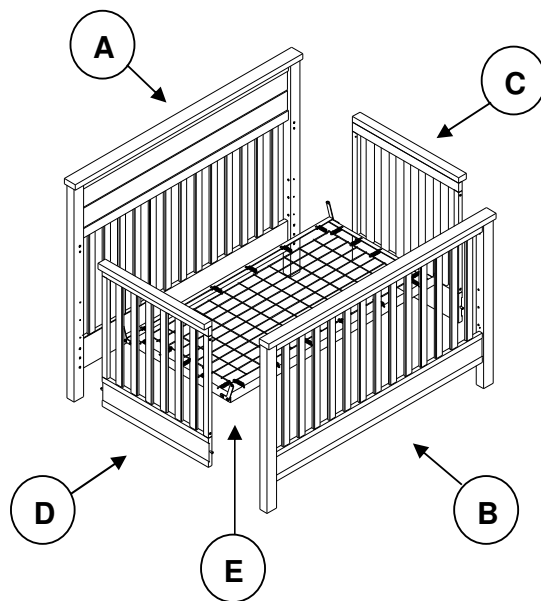
- Please read all instructions carefully before assembling.
- For your safety, assembly by two or more adults is recommended.
- Keep instructions for future use.
- Use only vendor supplied hardware to assemble. Using unauthorized hardware could jeopardize the structural integrity of the item.
- Do not remove warning labels from the crib. Labels are permanent and not designed to be removed.

PRE-ASSEMBLY:

- Remove all parts and hardware from the box and place them on a carpet, or scratch-free work surface, as this will avoid damaging parts during assembly. The shipping box provides an ideal work surface.
- To avoid accidentally discarding small parts or hardware, do not dispose of any packaging or contents of the shipping carton until assembly is complete.
- Use the parts and hardware lists below to identify and separate each of the pieces included.
- The illustrations provided allow for easier assembly when used in conjunction with the assembly instructions.
- The use of power tools to aid in assembly is not recommended. Power tools can damage hardware and split wood.

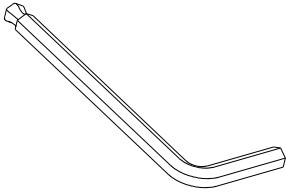
PARTS INCLUDED:

- (A) Headboard (1x)
- (B) Front gate (1x)
- (C) Right Side (1x)
- (D) Left Side (1x)
- (E) Mattress Base (1x)

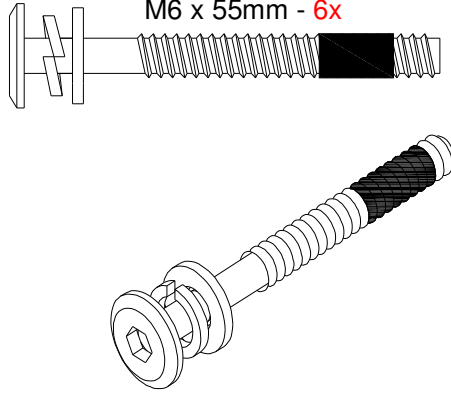


HARDWARE INCLUDED:

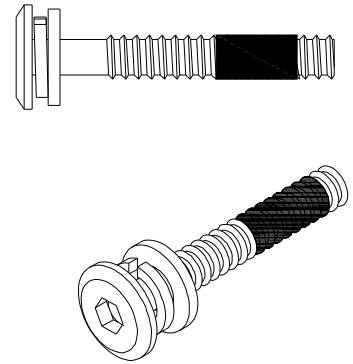
(F) Allen key with ball tip
- 1x



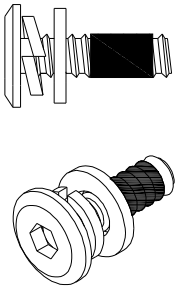
(G) Long Allen Bolt
M6 x 55mm - 6x



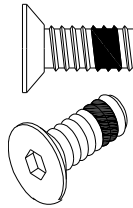
(H) Medium Allen Bolt
M6 x 40mm - 4x



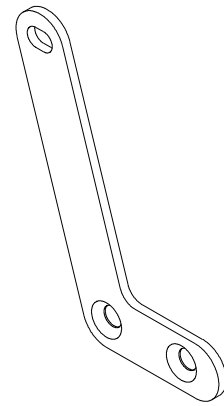
(I) Short Allen Bolt
M6 x 20mm - 4x



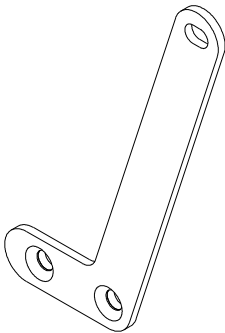
(J) Short Bolt
M6 x 15mm - 8x



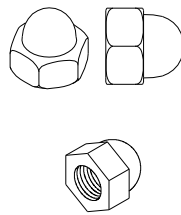
(K) Left Bracket - 2x



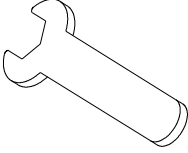


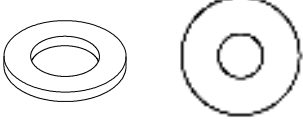

(L) Right Bracket- 2x



(M) Acorn Nut
M6x10x10mm - 8x






KEEP THE BELOW HARDWARE FOR FUTURE USE WHEN CONVERTING TO A FULL SIZE BED USING METAL FRAME (SOLD SEPERATLY).

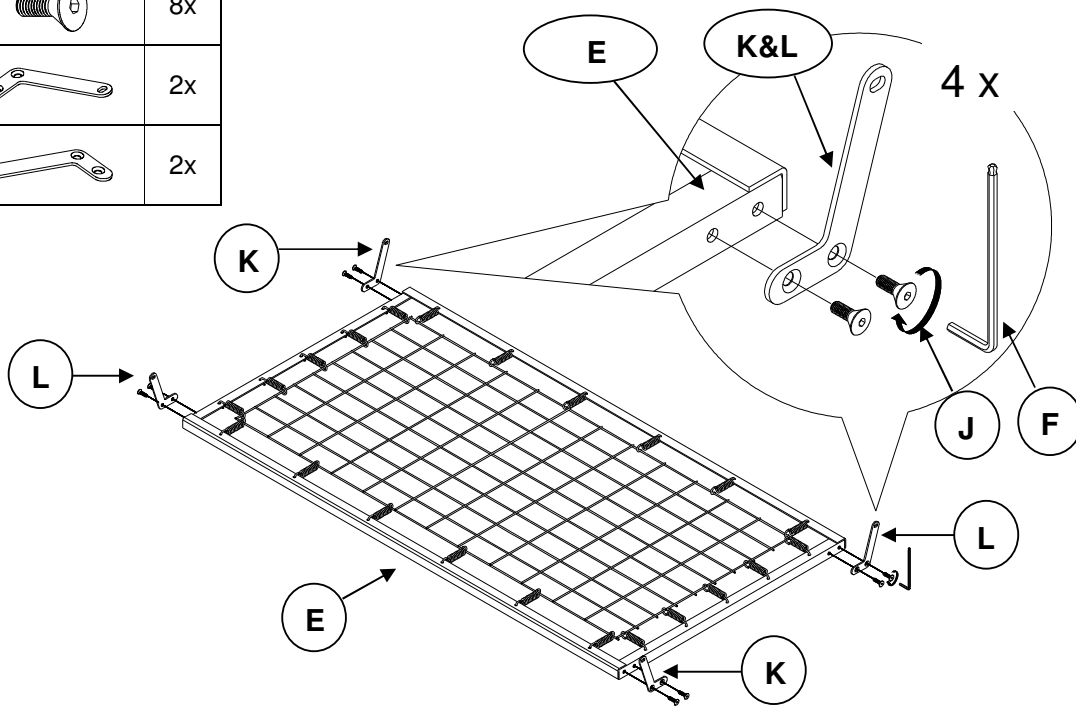
(N) Open Wrench - 1x	(O) Nut - 4x	(P) Spring Washer - 4x	(Q) Flat Washer 16Dia - 8x
			
(R) Wood Block - 2x			
			

ASSEMBLY INSTRUCTIONS:

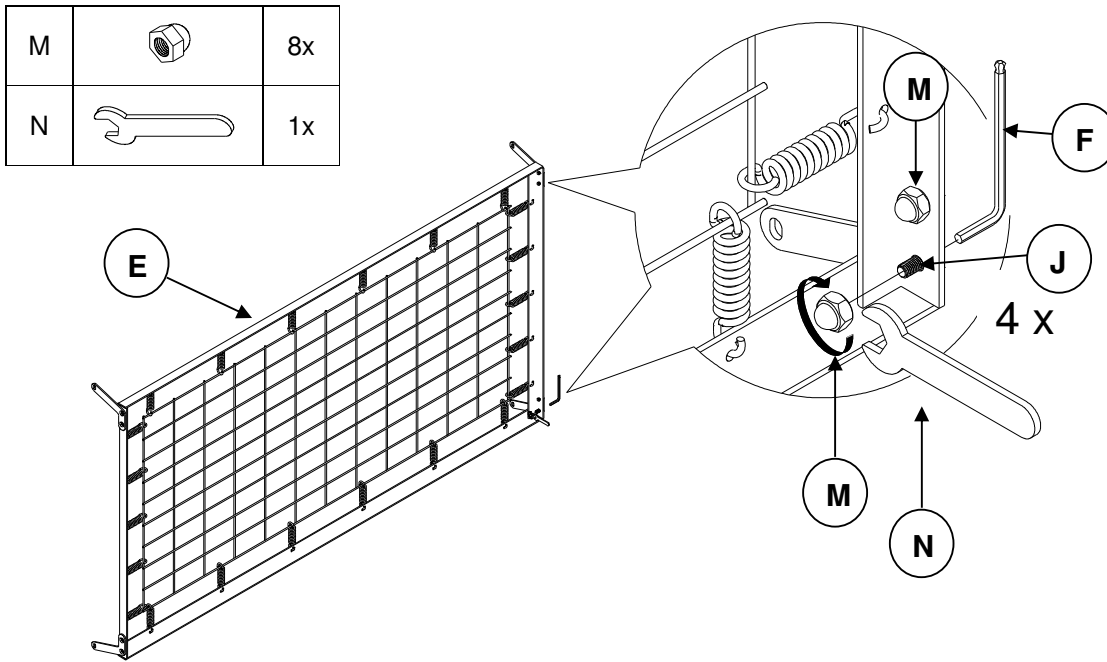
1. Attach (K&L) to (E). Use Allen Key (F) to tighten as shown below.

Note: Make sure the brackets (K&L) point outwards as shown below

J		8x
K		2x
L		2x



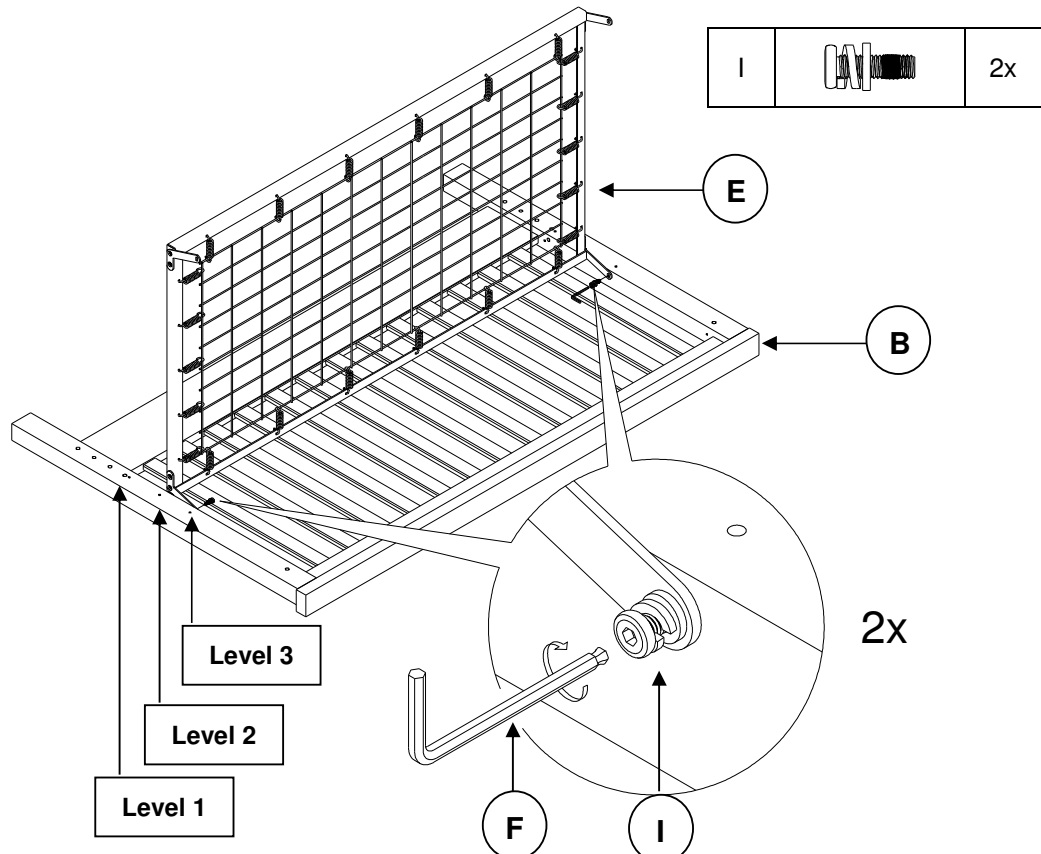
2. Attach (M) to (J). Use Open Wrench (N) and Allen Key (F) to tighten as shown below.



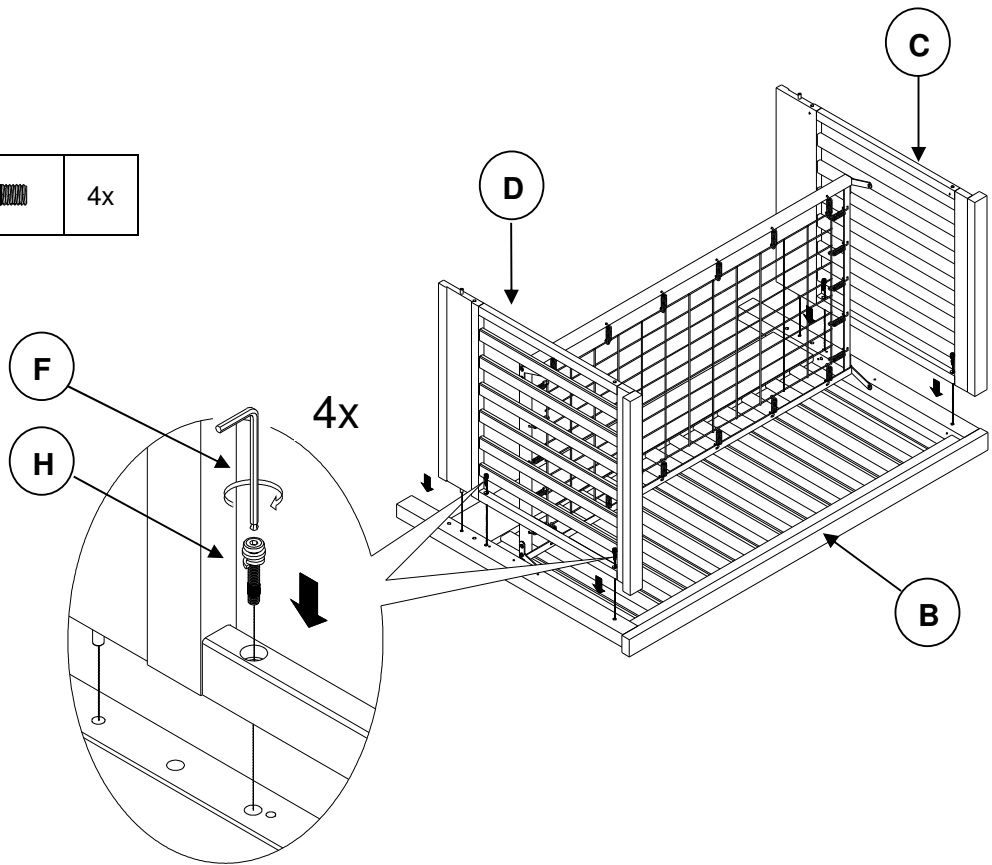
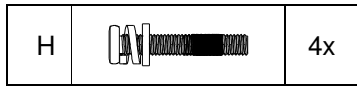
***Note:** The mattress base (E) should be at the highest level (Level 3) when the child is born. It must be at the lowest level (Level 1) before the child can stand up. Before installing the mattress base (E), please ask the customer at which height they want it installed.

3. Determine the desired height of the Mattress Base (E). With the help of an adult, attach (E) to (B) as shown below. **Do not fully tighten (I) at this time.**

***Note:** To change the position of the Mattress Base (E), remove bolts (I), line up the Mattress Base (E) with the holes at the desired height (Level 1, 2 or 3) and re-attach the Mattress Base (E) with bolts (I).



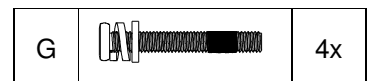
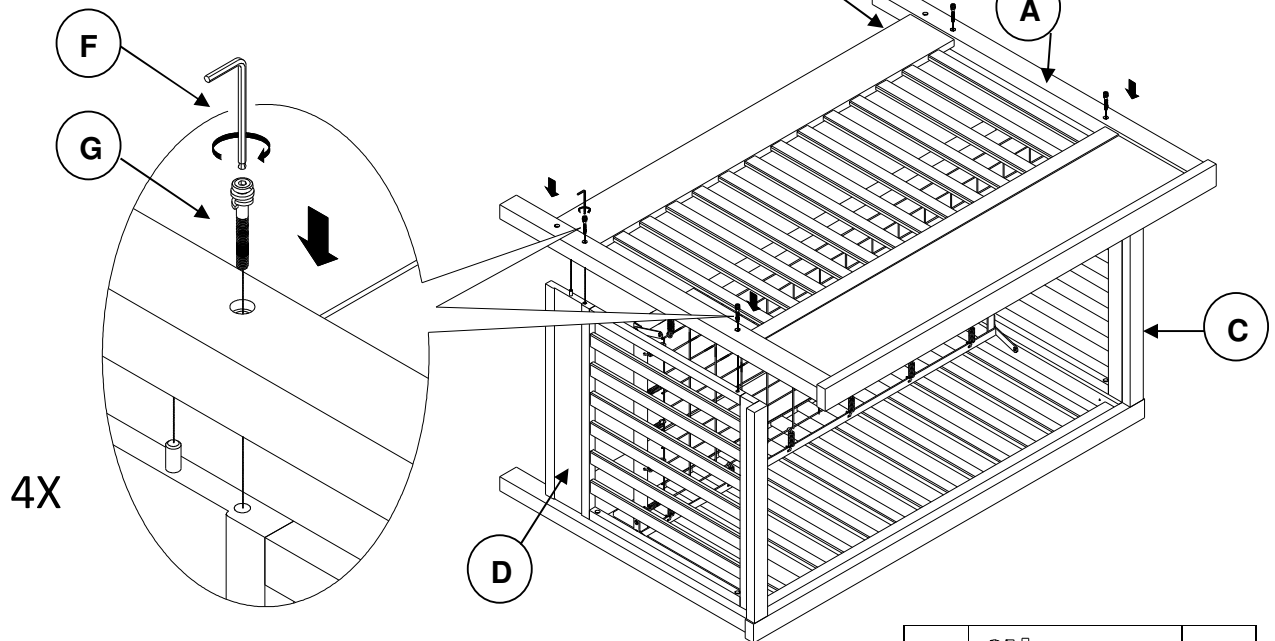
4. Attach (C&D) to (B) by aligning wooden dowels with pre-drill holes as shown below. **Do not fully tighten bolts (H) at this time.**



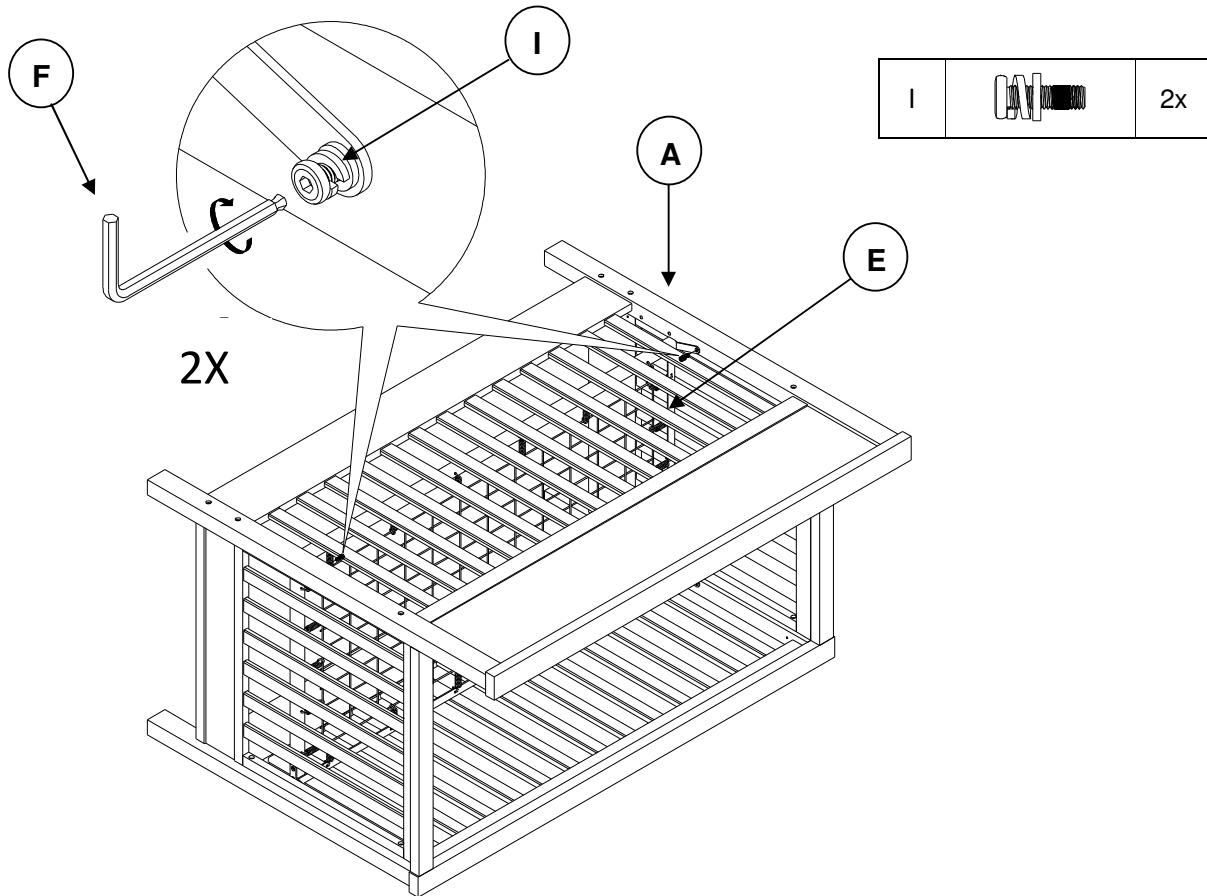
5. Attach (A) to (C&D) by aligning wooden dowels with pre-drill holes as shown below. **Do not fully tighten.**

THIS SIDE DOWN / CE CÔTÉ VERS LE BAS / ESTE LADO HACIA ABAJO (04-000143-1)
 THIS SIDE IN ↓ CE CÔTÉ VERS L'INTÉRIEUR ↓ ESTE LADO HACIA ADETRON

Arrow sticker side up. Arrow points inside.



6. Secure (E) to (A) at the same level with another end. **Do not fully tighten bolts (I).**



7. Slowly turn the crib upright. Check alignments and fully tighten all connections at this time.
8. Assembly is now complete.
9. Place the assembly instructions back into the envelope mounted on the mattress base and keep the remaining hardware for future use.



CARE INSTRUCTIONS :

- Dust often using a clean, soft, dry, lint-free cloth.
- Blot spills immediately, and wipe with a clean, damp cloth.
- We do not recommend the use of chemical cleansers, abrasives, or furniture polish on our lacquered finish.
- If the crib is to be stored, store in cool dry place and carefully package all original hardware to protect from loss or damage.
- Check fasteners periodically for tightness. **DO NOT** over tighten, as this may cause distortion or breakage.
- Parents should ensure a safe environment for the child by checking the crib regularly that every component is properly and securely in place, before placing the child in the product.

Thank you for your purchase.
stores | catalog | www.potterybarnkids.com
USA 1.800.290.8181

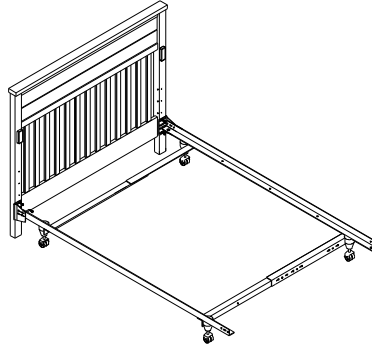
NOTES:

- As the Charlie 4-in-1 Crib is designed to grow with you child, please retain the instructions as well as all hardware for future use. Always keep all small parts and hardware out of the reach of small children.
- Please see instructions below when converting to a toddler or Full bed. Based upon your selection, there will be different instructions and additional pieces needed for these conversions. Please read carefully and follow all instructions.

1. Headboard with Metal Frame

* Metal Frame sold separately

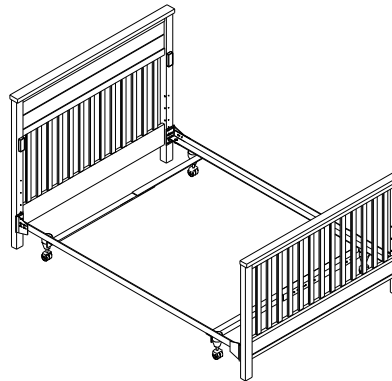
* See assembly instruction on page 11



2. Headboard/Front Gate with Metal Frame

* Metal Frame sold separately

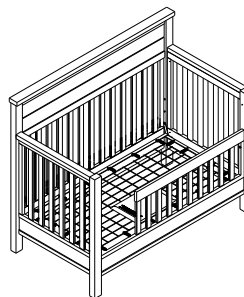
* See assembly instruction on page 12



3. Crib with Toddler Bed Conversion Kit

* Conversion Kit sold separately

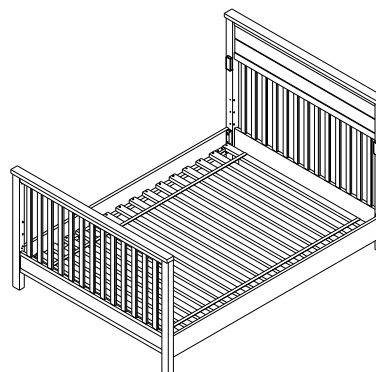
* Refer to assembly instruction shipped with Toddler Bed Conversion Kit



4. Headboard/Front Gate with Full Sized Bed Conversion Kit

* Full Sized Bed Conversion Kit sold separately

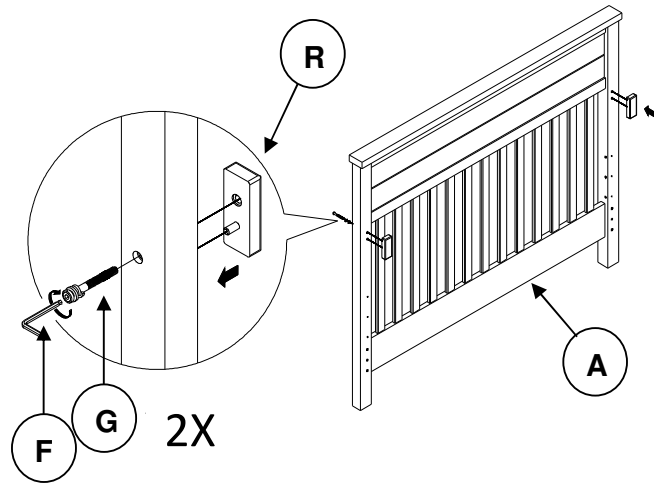
* Refer to assembly instruction shipped with the Full Sized Bed Conversion Kit



ASSEMBLY INSTRUCTIONS TO CONVERT CRIB INTO FULL SIZED BED (headboard only) WITH METAL FRAME (sold separately).

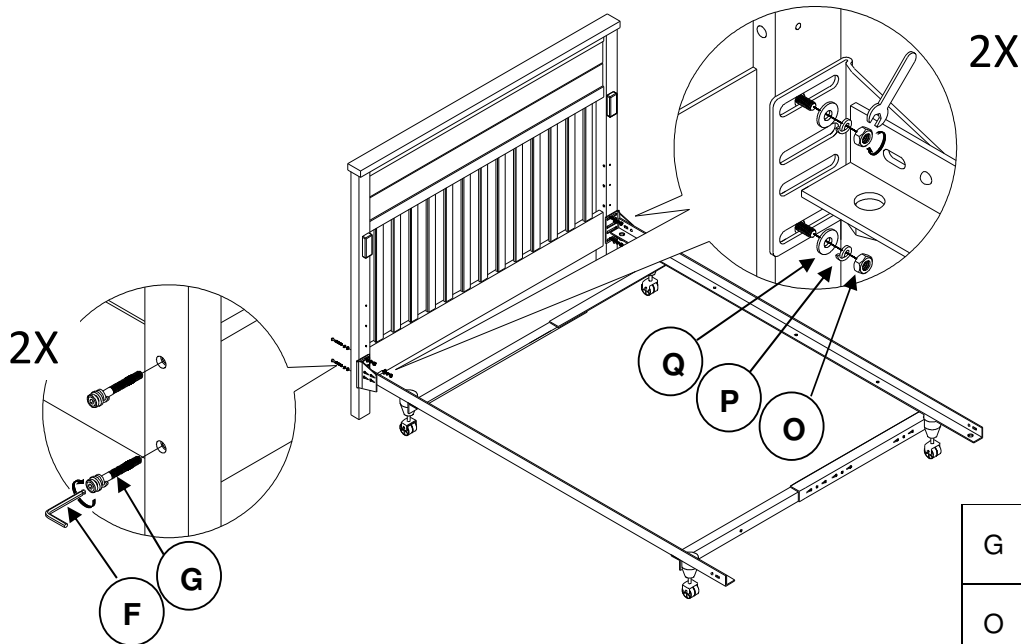
With the addition of a Metal Frame (sold separately), your Charlie 4-in-1 Crib Headboard can be utilized as a full sized headboard. Follow the instructions below with (2) adults:

1. Disassemble your crib or toddler bed and set all pieces and hardware aside in an organized manner.
2. Attach (R) to (A) by aligning wooden dowels with pre-drill holes as shown below. **Do not over tighten**



G		2x
---	--	----

3. Assemble the Metal Frame according to the instructions included with the frame.
4. Hold the Charlie 4-in-1 Crib Headboard upright near the desired location in the room.
5. Attach Metal Frame to Head Board (A) as shown below.

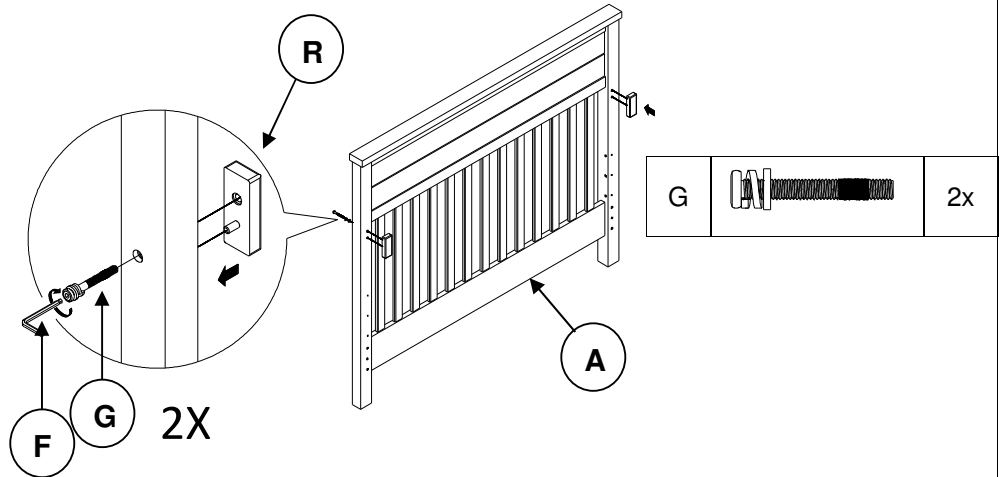


G		4x
O		4x
P		4x
Q		4x

ASSEMBLY INSTRUCTIONS TO CONVERT CRIB INTO FULL SIZE BED (Headboard & Front Gate only) WITH METAL FRAME (sold separately).

With the addition of a Metal Frame (sold separately), your Charlie 4-in-1 Crib Headboard and Front Gate can be utilized as a full sized headboard and footboard. Follow the instruction below with 2 adults:

1. Disassemble your crib or toddler bed and set all pieces and hardware aside in an organized manner.
2. Attach (R) to (A) by aligning wooden dowels with pre-drill holes as shown below. **Do not over tighten.**



3. Assemble the Metal Frame according to the instructions included with the frame.
4. Hold the Crib Headboard (A) upright near the desired location in the room.
5. Attach Metal Frame to Head Board (A) as shown below
6. Attach Metal Frame to Front Gate (B) as shown below

