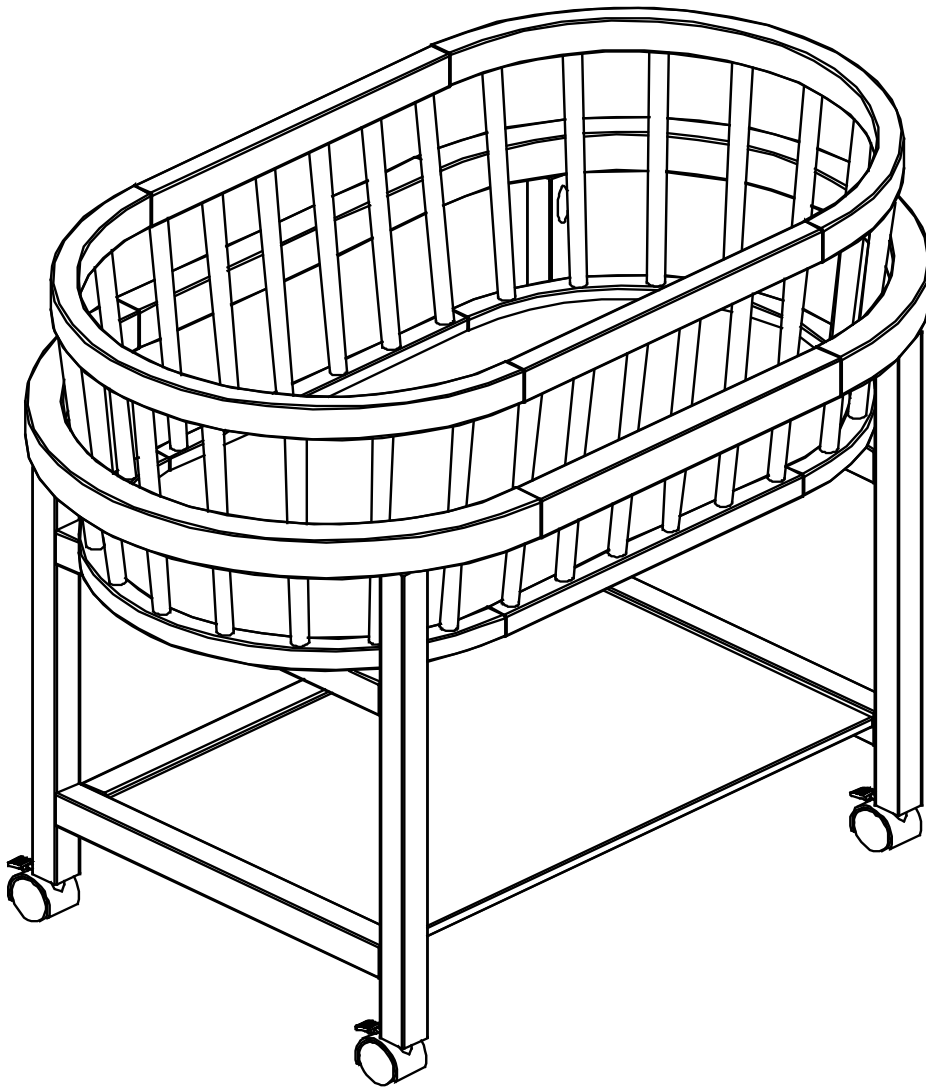


pottery barn kids



BRISTOL BASSINET

www.potterybarnkids.com



WARNING: - Failure to follow these warnings and the instructions could result in serious injury or death.

- To reduce the risk of SIDS, pediatricians recommend healthy infants be placed on their backs to sleep, unless otherwise advised by your physician.
- If a sheet is used with the pad, use only the one provided by the bassinet or cradle manufacturer or one specifically designed to fit the dimensions of the bassinet or cradle mattress.
- String can cause strangulation! Do not place items with a string around a child's neck, such as hood strings or pacifier cords.
- Do not suspend strings over a bassinet or cradle or attach strings to toys.
- FALL HAZARD - To help prevent falls, do not use this product when the infant begins to push up on hands and knees or has reached 10kg (22lbs.), whichever comes first.

SUFFOCATION HAZARD

Infants have suffocated:

- In gaps between extra padding and side of the bassinet / cradle.
- On soft bedding.
- Use ONLY the pad provided by manufacturer.
- NEVER add a pillow, comforter, or another mattress for padding.

04-000108-3



WARNING:

- Do not use this bassinet if you cannot exactly follow the accompanying instructions.
- Do not use this bassinet for a child who can roll over or who has reached the manufacturer's recommended weight limit.
- Do not place in or near this bassinet any cord, strap or similar item that could become wrapped around a child's neck.
- Do not place this bassinet near a window or a patio door where a child could reach the cord of a blind or curtain and be strangled.
- Check this bassinet regularly before using it and do not use it if any parts are loose or missing or if there are any signs of damage.
- Do not substitute parts.
- Contact the manufacturer if replacement parts or additional instructions are needed.
- Use a bassinet mattress that is no thicker than 3.8 cm and is of such a size that, when it is pushed firmly against any side of the bassinet, it does not leave a gap of more than 3 cm between the mattress and any part of the sides of the bassinet.
- Children can suffocate on soft bedding. Do not place pillows, comforters or soft mattresses in this bassinet.

04-000211 (Canadian req.)

Important Safety Instructions:

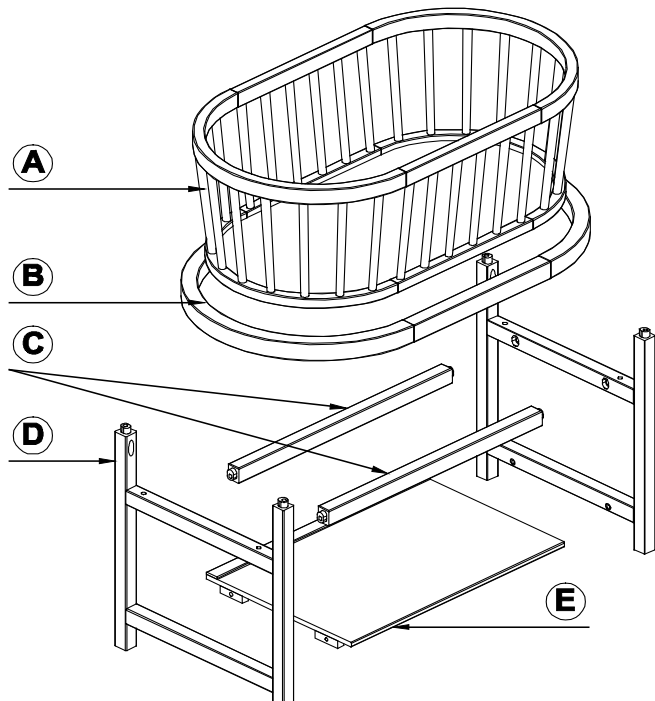
- Please read all instructions carefully before assembling.
- For your safety, assembly by two or more adults is strongly recommended.
- Keep instructions for future use.
- Use only vendor supplied hardware to assemble. Using unauthorized hardware could jeopardize the structural integrity of the item.
- Do not remove warning labels from the bassinet. Labels are permanent and not designed to be removed.

Pre-assembly:






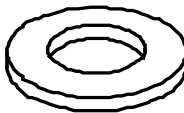

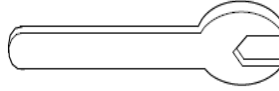
- Remove all parts and hardware from the box and lay out on a clear carpeted or scratch-free work surface, as this will avoid damaging parts during assembly. The shipping box provides an ideal work surface.
- Do not dispose of any packaging or contents of the shipping carton until assembly is completed to avoid accidentally discarding small parts or hardware.
- Use the parts and hardware lists below to identify and separate each of the pieces included.
- The illustrations provided allow for easier assembly when used in conjunction with the assembly instructions.
- The use of power tools to aid in assembly is not recommended. Power tools can damage hardware and split wood.
- Note: Do not fully tighten all bolts until all parts are in place. Failure to follow these instructions may cause the bolts to misalign during assembly.

Parts Included:

- (A) Bassinet – 1x
- (B) Base Frame -1x
- (C) Stretcher – 2x
- (D) Leg Frame – 2x
- (E) Shelf – 1x

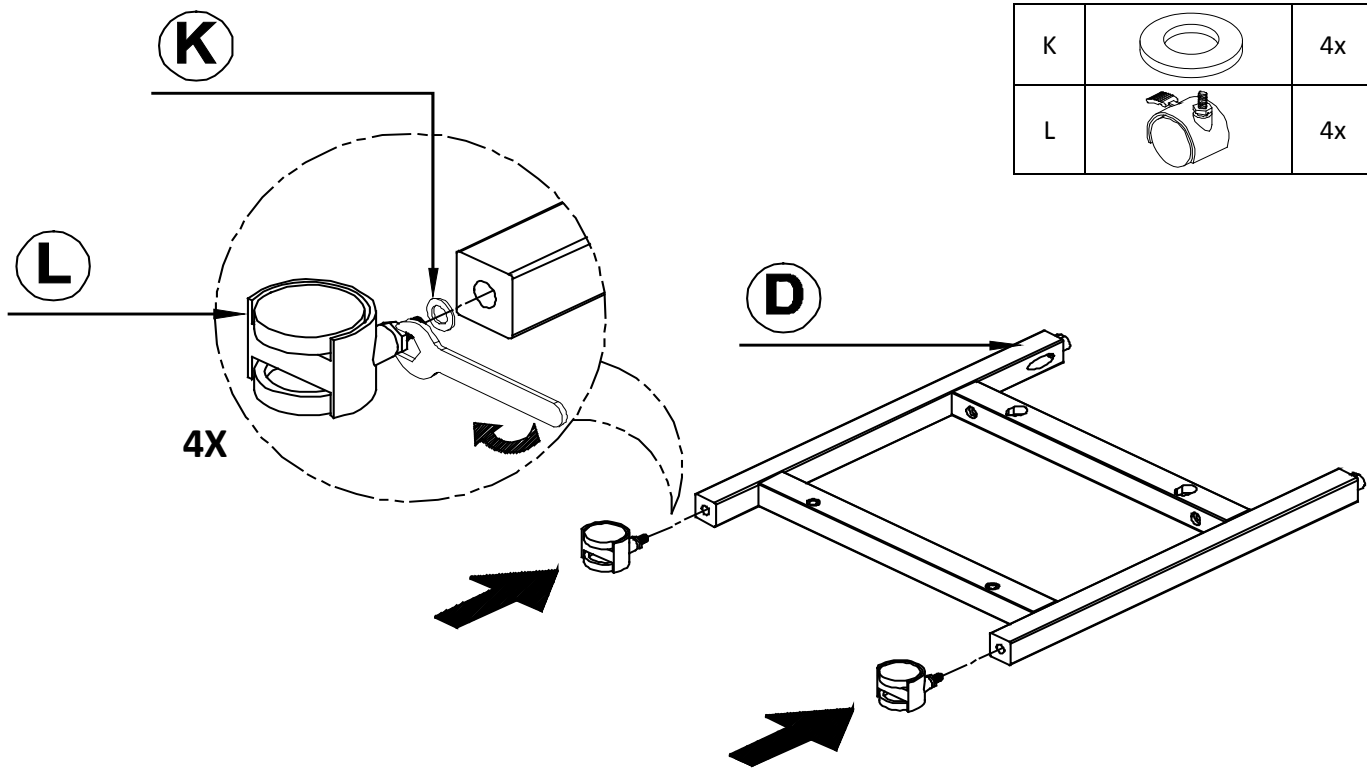


Hardware Included:

 (F) Allen Key – 1x	 (G) Bolt (M6x25mm) – 4x	 (H) Bolt (M6x42mm) – 12x
 (I) Spring Washer – 16x	 (J) Flat Washer – 16x	 (K) Large Flat Washer – 4x
 (L) Castor – 4x	 (M) French key – 4x	

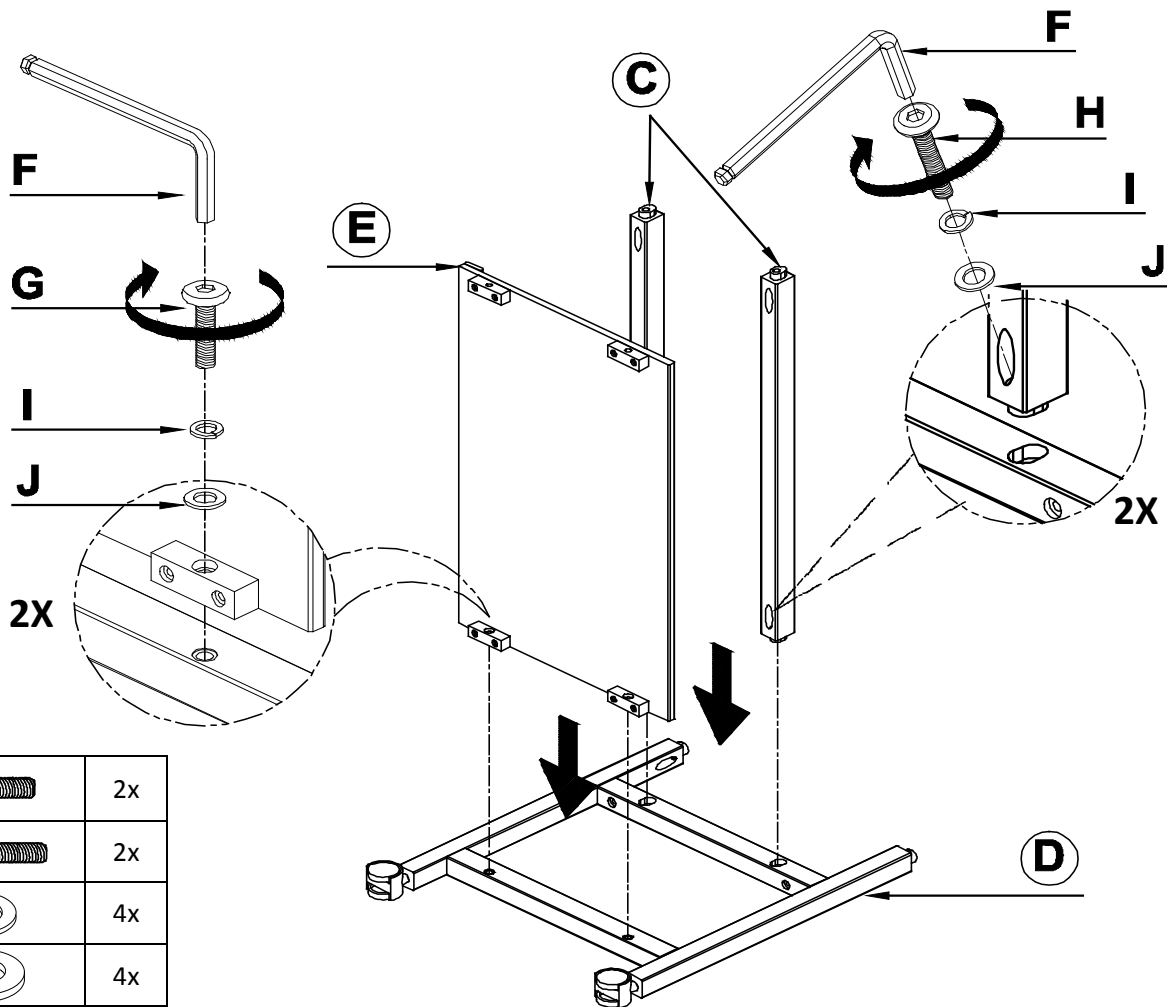
Assembly Instruction Steps:

1. Attach Castor (L) to (D) as shown below. **DO NOT OVER TIGHTEN.**







K		4x
L		4x

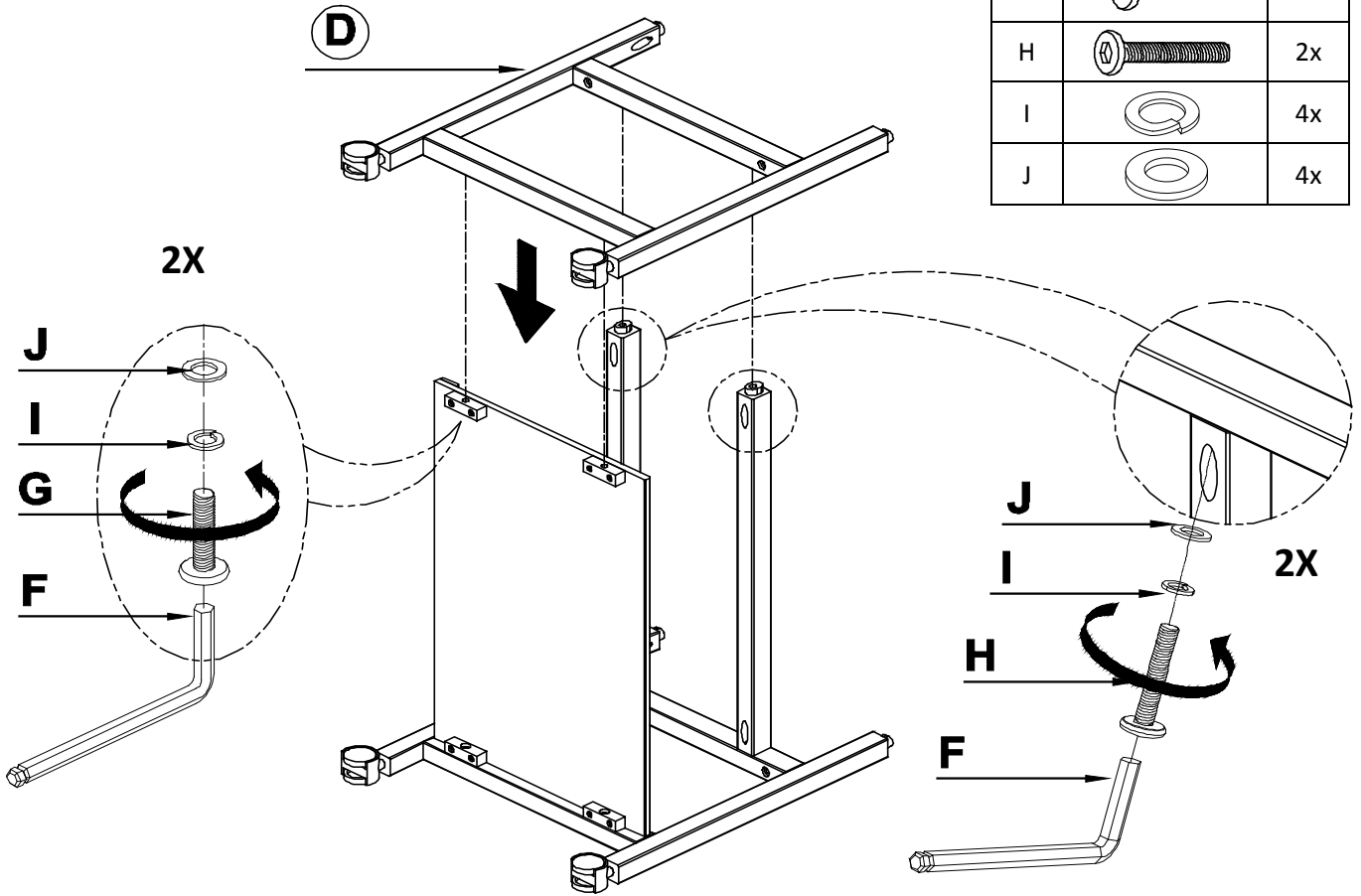
2. Attach (C) & (E) to (D) as shown below. **DO NOT FULLY TIGHTEN.**



G		2x
H		2x
I		4x
J		4x

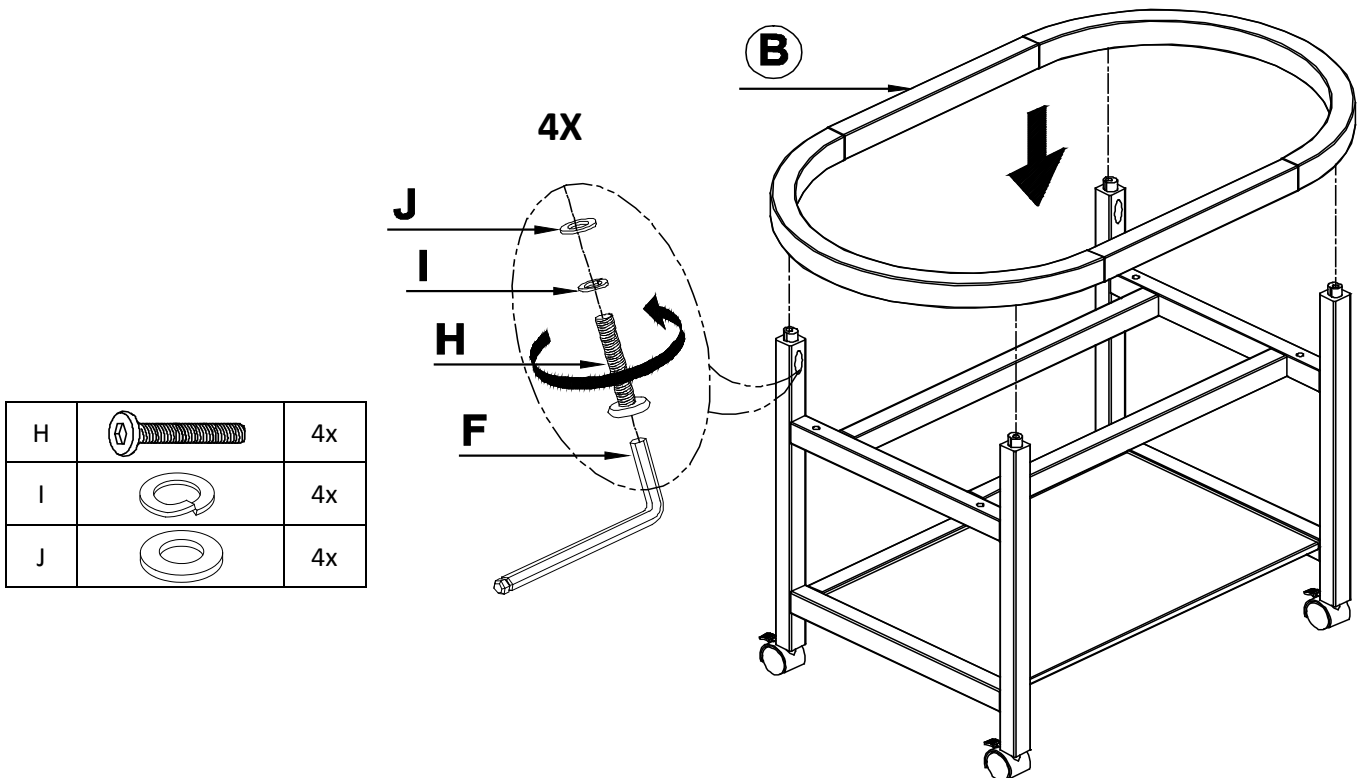
3. Attach (D) to the assembled piece as shown below. **DO NOT FULLY TIGHTEN.**




G		2x
H		2x
I		4x
J		4x






4. Attach (B) to the assembled piece as shown below.

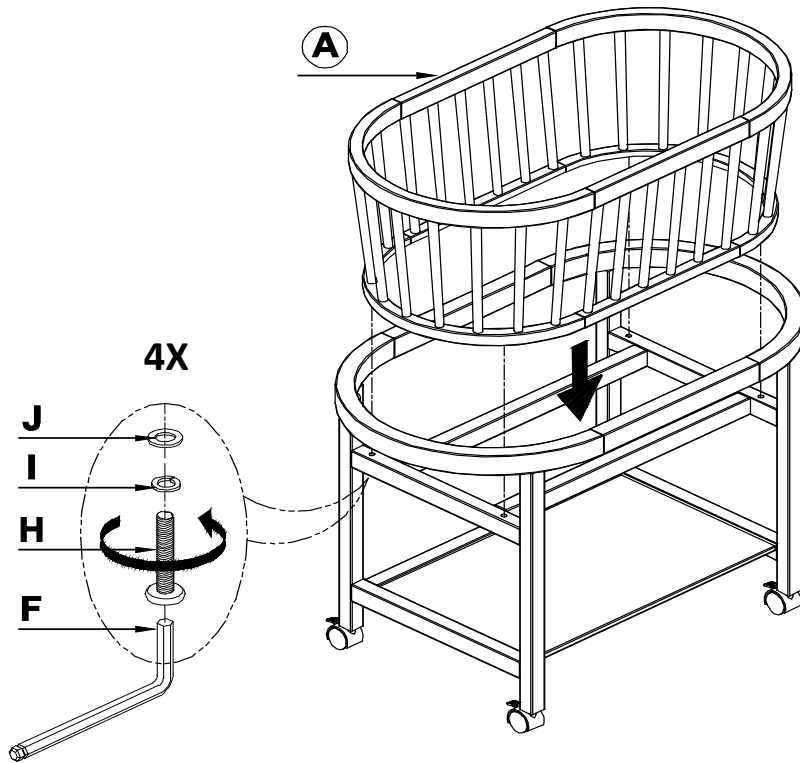
5. Check alignments and fully tighten all connections at this time. **DO NOT OVER TIGHTEN.**



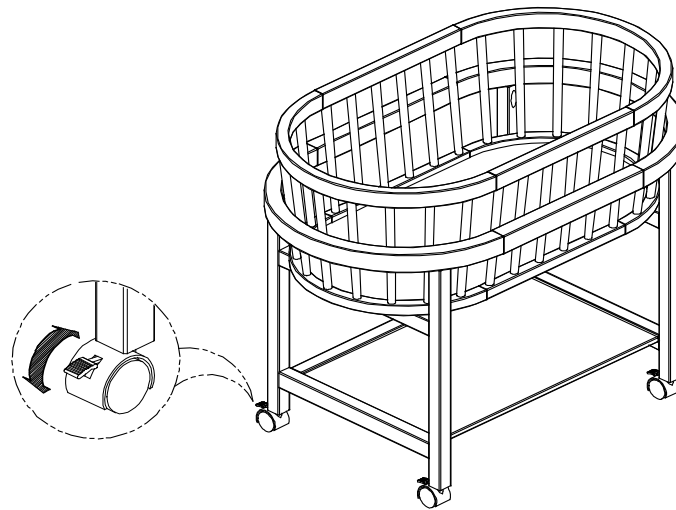
H		4x
I		4x
J		4x

6. Attach (A) onto the assembled base as shown below. **DO NOT OVER TIGHTEN.**

H		4x
I		4x
J		4x



7. For safety, always use the locks on castors to prevent the bassinet from moving. It is recommended to keep the bassinet with the wheels in lock position at all times except when it is required to move it.



8. Assembly is now complete.

CARE INSTRUCTIONS

- Dust often using a clean, soft, dry, lint-free cloth.
- Blot spills immediately, and wipe with a clean, damp cloth.
- We do not recommend the use of chemical cleansers, abrasives, or furniture polish on our lacquered finish.
- If the bassinet is to be stored in cool dry place and carefully package all original hardware to protect from loss or damage.
- Check fasteners periodically for tightness. **DO NOT** over tighten, as this may cause distortion or breakage.
- Parents should ensure a safe environment for the child by checking the product regularly that every component is properly and securely in place, before placing the child in the product.

Thank you for your purchase
 Stores | catalog | www.potterybarnkids.com
 USA 1.800.290.8181