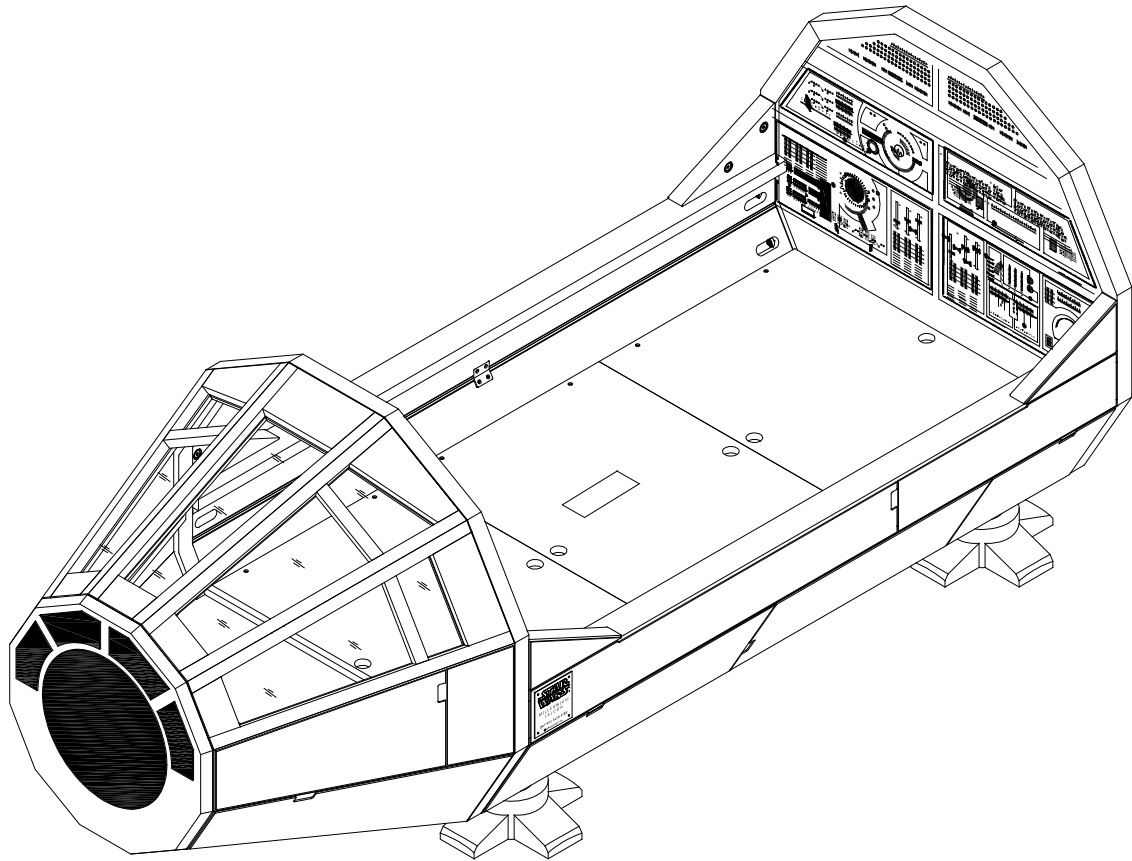


pottery barn kids



STAR WARS BED (Part 2 of 2)

**Please follow strickly this assembling instruction to prevent this bed
from damage or misalignment.**

www.potterybarnkids.com



WARNING: Follow mattress manufacturer instructions for use.

Use proper ventilation foundation with latex mattresses. Failure to follow this instruction can lead to property damage.

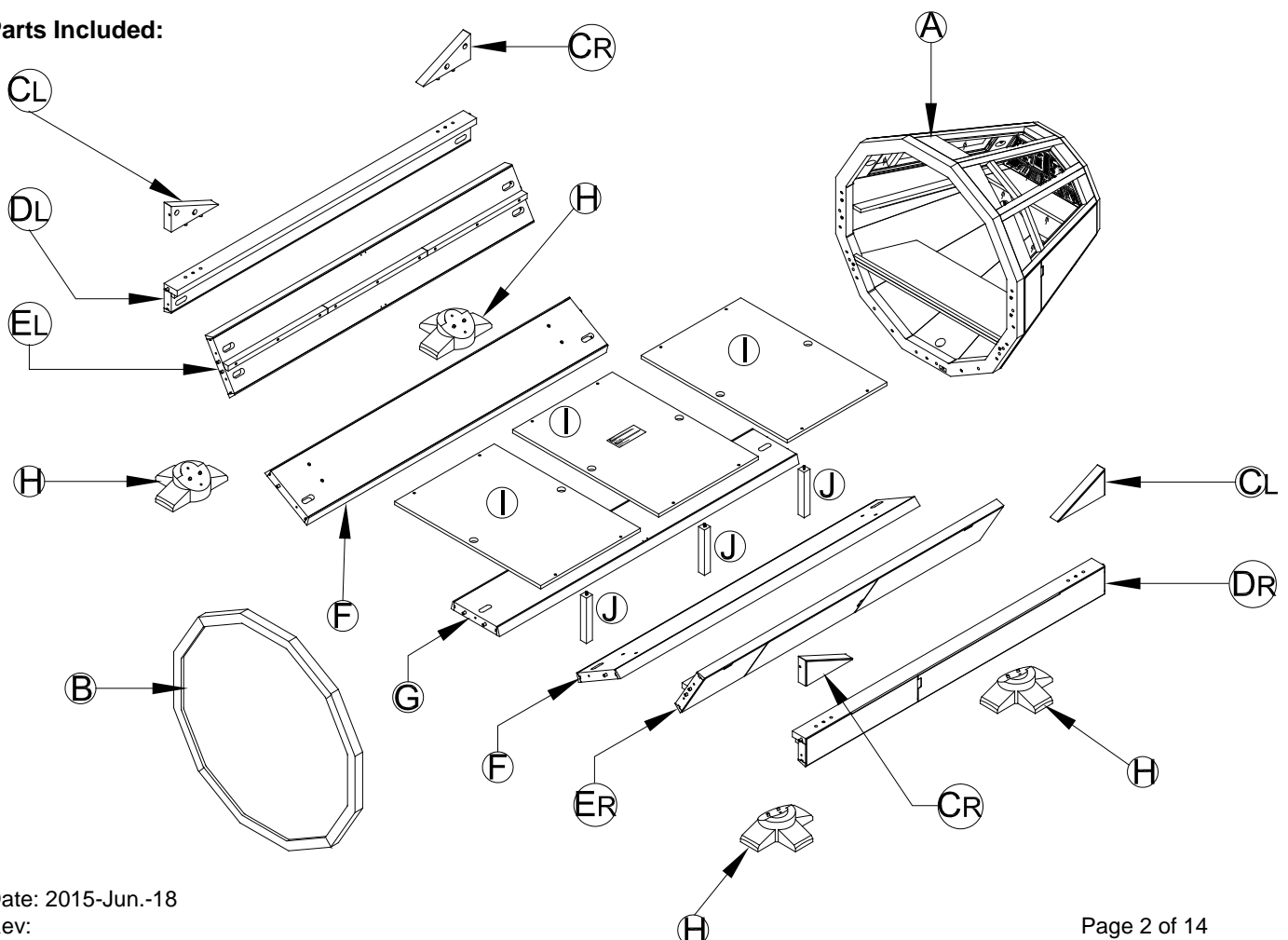
Important Safety Instructions:

- Please read all instructions carefully before assembling.
- For your safety, assembly by **four or more adults** is strongly recommended.
- Keep these instructions for future use.
- Use only vendor-supplied hardware to assemble this item. Using unauthorized hardware could jeopardize the structural integrity of the item.

Pre-assembly:

- Remove all parts and hardware from the box. Place all items on a carpeted or scratch-free work surface, as this will avoid damaging parts during assembly. The shipping box provides an ideal work surface.
- To avoid accidentally discarding small parts or hardware, do not dispose of any packaging or contents of the shipping carton until assembly is complete.
- Use the parts and hardware lists below to identify and separate each of the pieces included.
- The illustrations provided allow for easier assembly when used in conjunction with the assembly instructions.
- The use of power tools to aid in assembly is not recommended. Power tools can damage the hardware and split the wood.
- Note: Do not fully tighten all bolts until all parts are in place. Failure to follow these instructions may cause the bolts to misalign during assembly.

Parts Included:



(A) Footboard (x1)

(B) Headboard (x1)

(CL) Left triangle block(x2)

(CR) Right triangle block(x2)

(DL) 1st Left side rail(x1)

(DR) 1st Right side rail(x1)

(EL) 2nd Left side rail(x1)

(ER) 2nd Right side rail(x1)

(F) 3rd Side rail(x2)

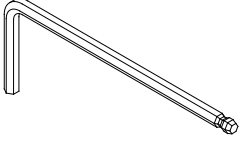
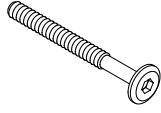
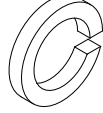
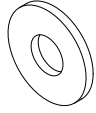
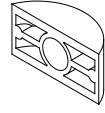
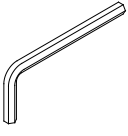
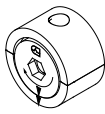
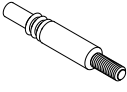
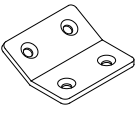
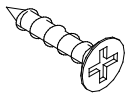
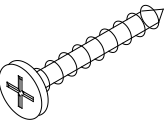
(G) Bottom Panel(x1)

(H) Leg(x4)


(I) Platform panel(x3)

(J) Center leg(X3)

Hardware Included:

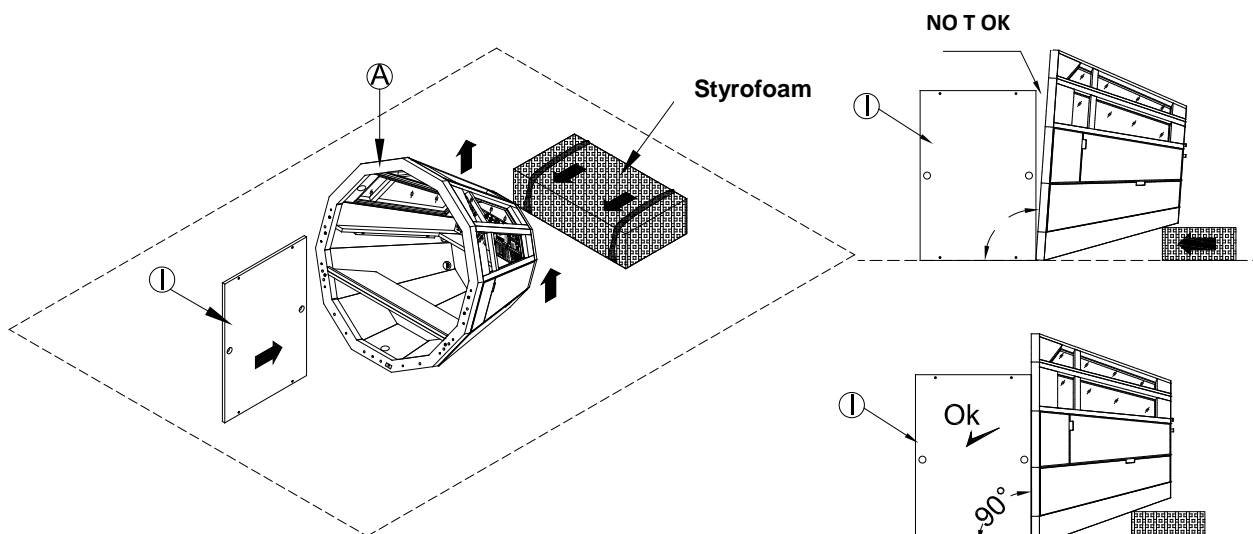
<p>(K) Allen Key with ball tip – 1x</p> 	<p>(L) Allen Bolt 1/4"x57mm - 26x</p> 	<p>(M) Spring Washer 1/4"x10x1.5mm - 26x</p> 	<p>(N) Flat Washer 1/4"x12x1.5mm - 26x</p> 	<p>(O) Half Moon Washer 1/4x24x8mm–18x</p> 
<p>(S) Allen Key 6x75x30mm -1x</p> 	<p>(T) Cam 15x25mm - 8x</p> 	<p>(U) Cam Bolt M6x8.5x56mm -8x</p> 	<p>(V) Mending Plate - 6x</p> 	<p>(W) Philip Head Screw 8x19mm - 24x</p> 
<p>(X) Philip Head Screw 8x30mm - 12x</p> 				

Tools Required:

Phillips head screwdriver (not included) 

ASSEMBLY INSTRUCTIONS

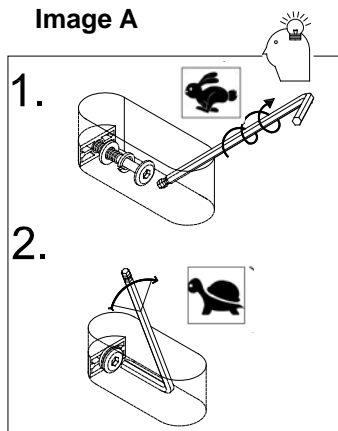
1. Make sure the Footboard (A) is fully assembled followed separated AI. Lay down (A) on a Styrofoam taken from the carton as seen in the illustration below. Using Platform Panel (I) as an measurement to make sure the Footboard is placed straightly as shown below.







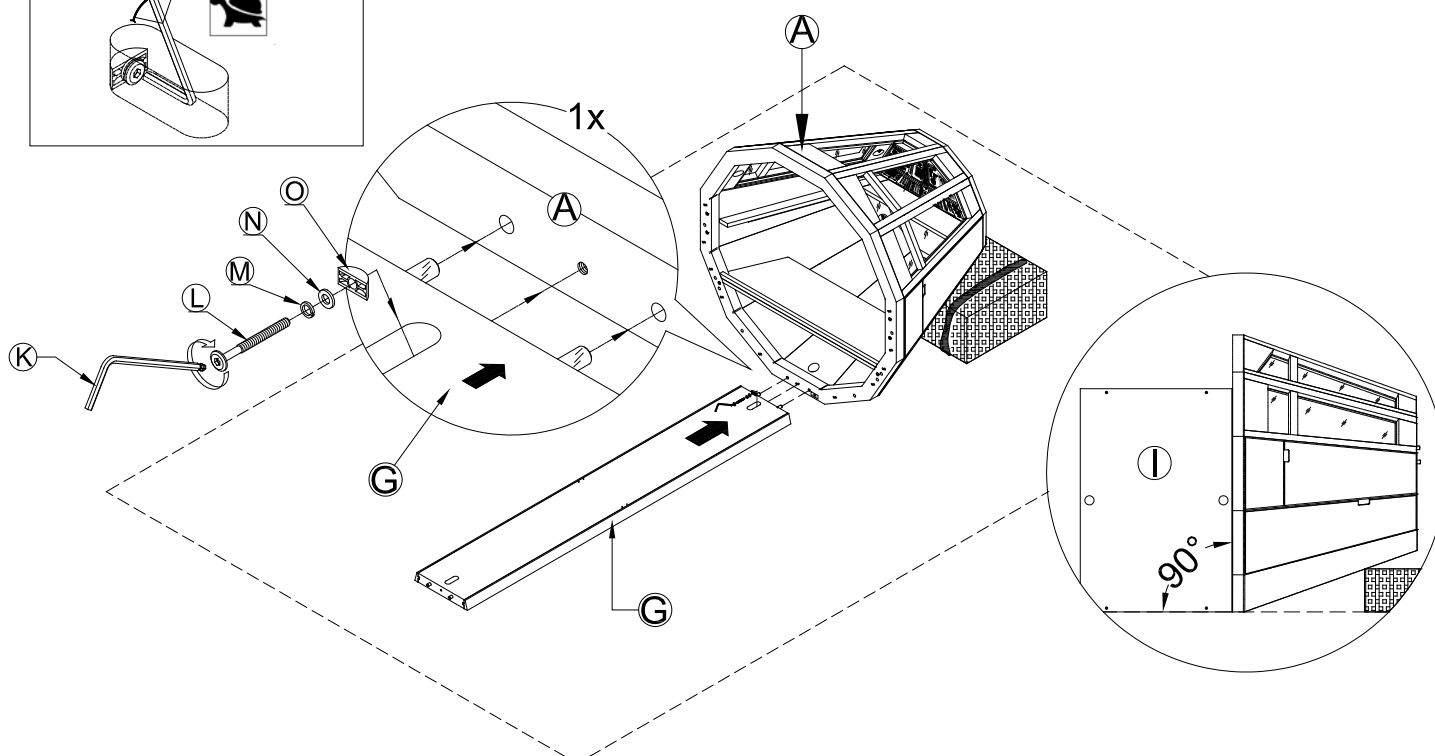
2. Attach (G) to (A), with the wooden dowels and pre-drilled holes aligned, as seen in the illustration below.

***Tip: See Image A for ease of assembly.**

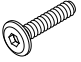


Image A

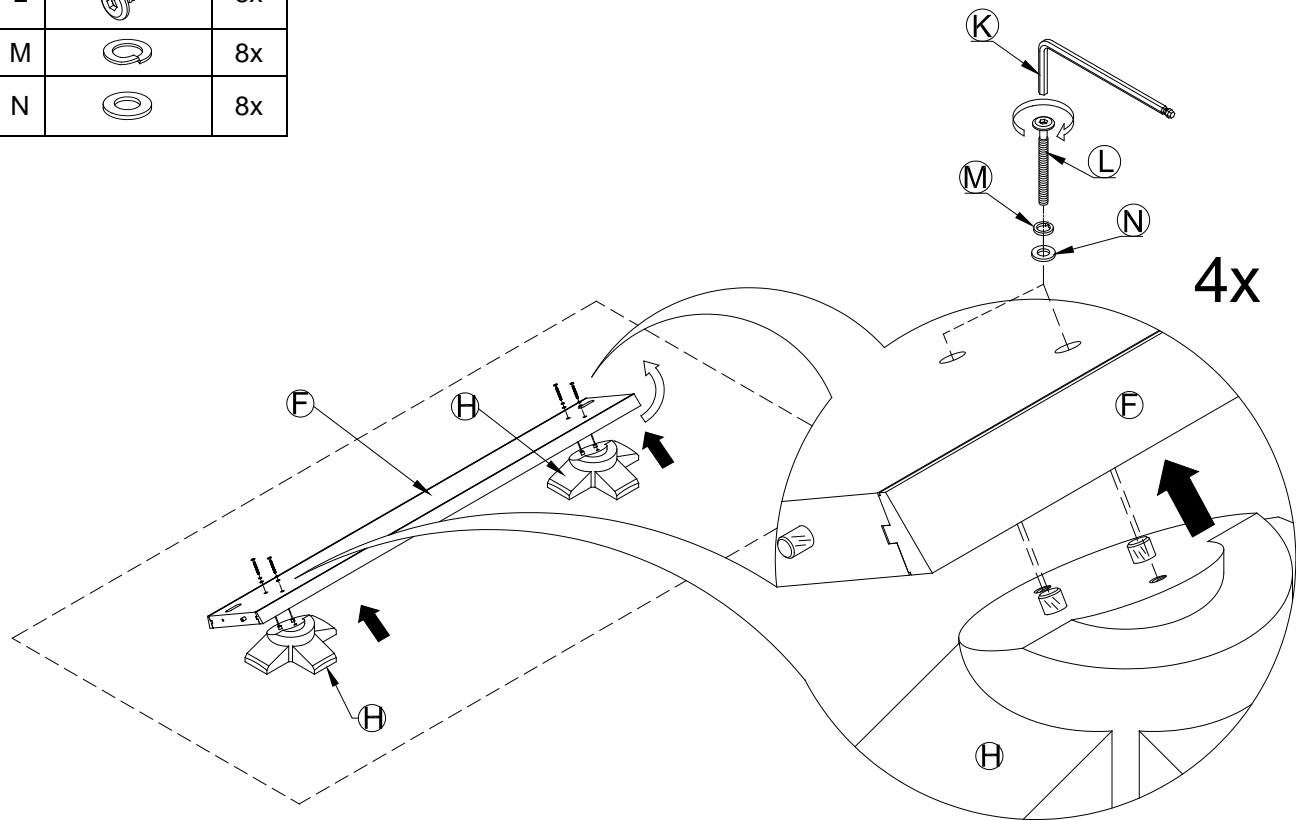


L		1x
M		1x
N		1x
O		1x

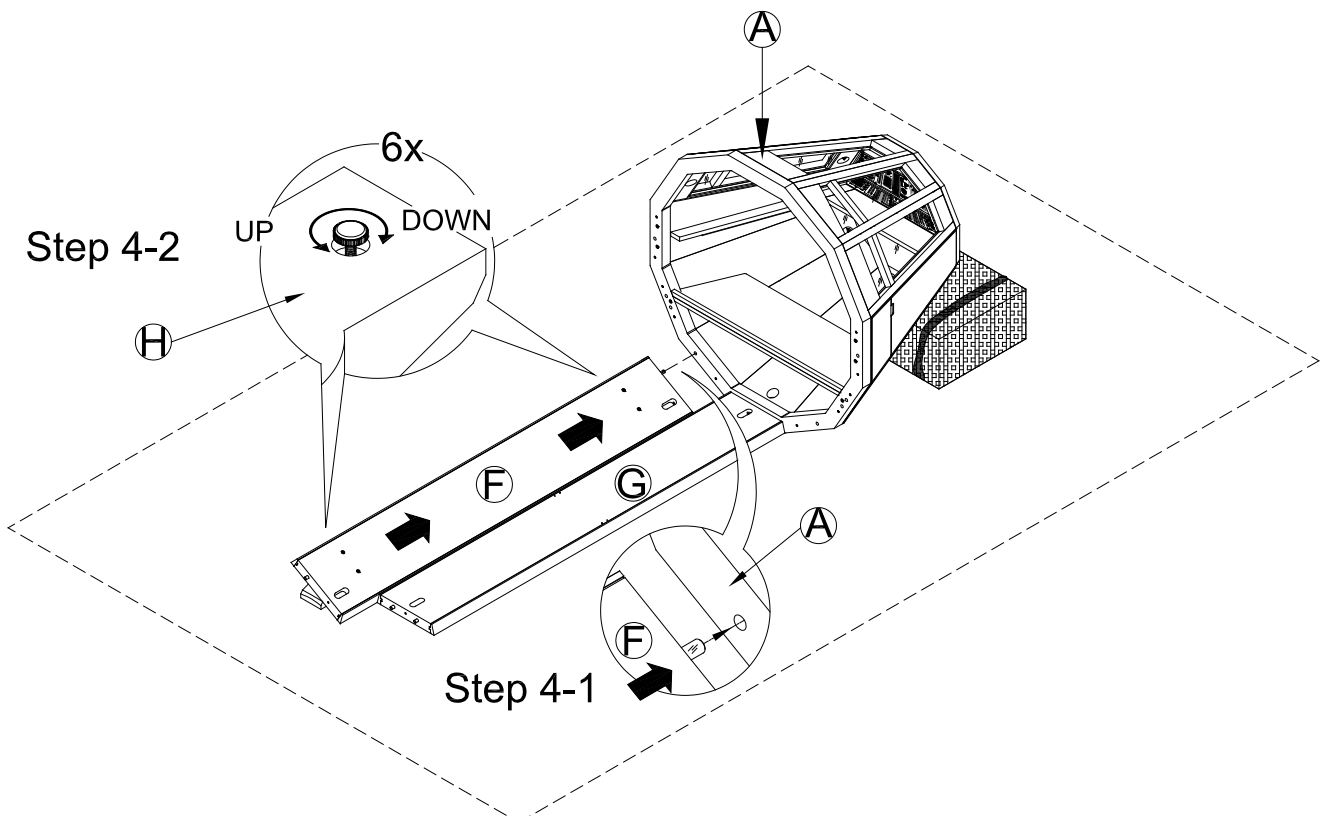


3. Attach 4pcs (H) to 02pcs (F), with the pre-drilled holes aligned, as seen in the illustration below.

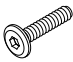


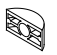


L		8x
M		8x
N		8x

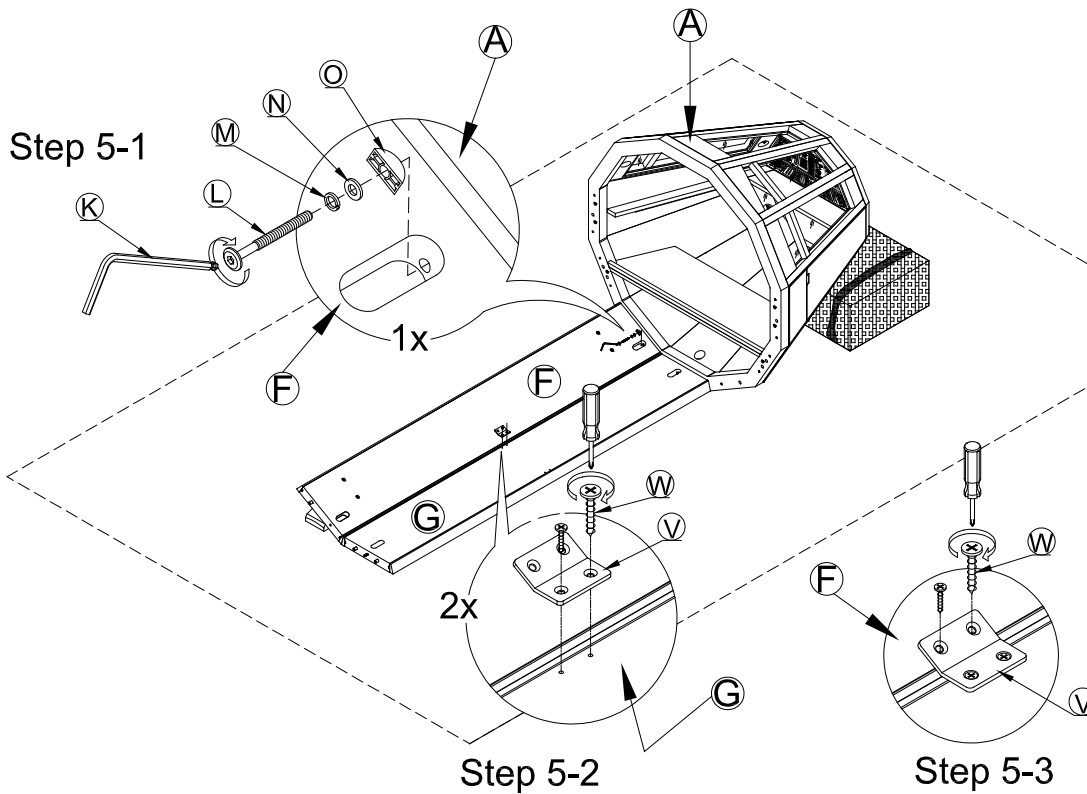


4. Attach (F) to (A), with the wooden dowels and pre-drilled holes aligned, as seen in the illustration below. Adjust the levelers on the bottom of the unit (up or down) to level the panel.

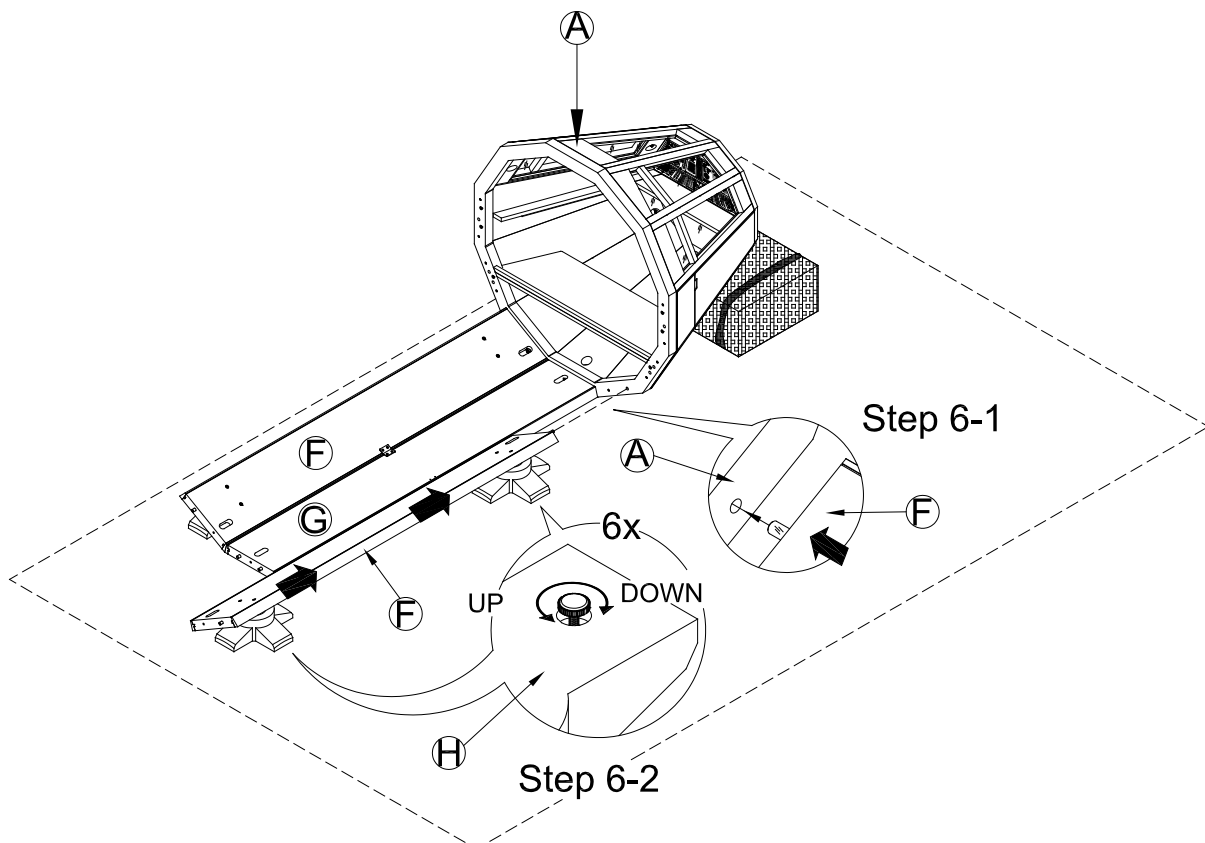


5. Tighten with bolt (attach to (A)) and mending plate (attach to (F)), as seen in the illustration below.
 *Tip: See Image A (Page 4) for ease of assembly.

L		1x
M		1x
N		1x
O		1x
V		1x
W		4x

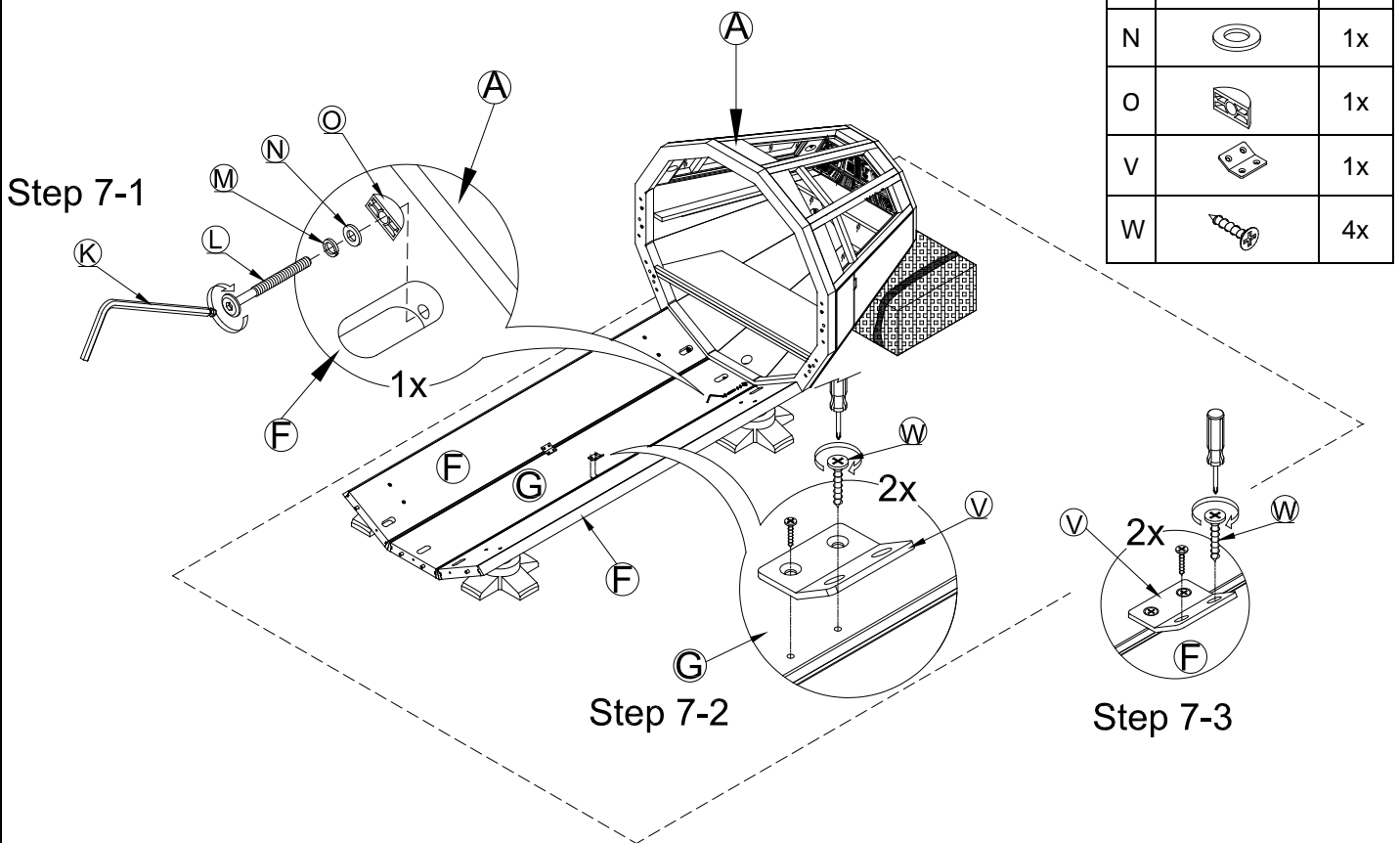


6. Repeat step #4 to assemble another side Rail (F), as seen in the illustration below.



7. Repeat step # 5 to assemble another side Rail (F) to (A) & (G), as seen in the illustration below.

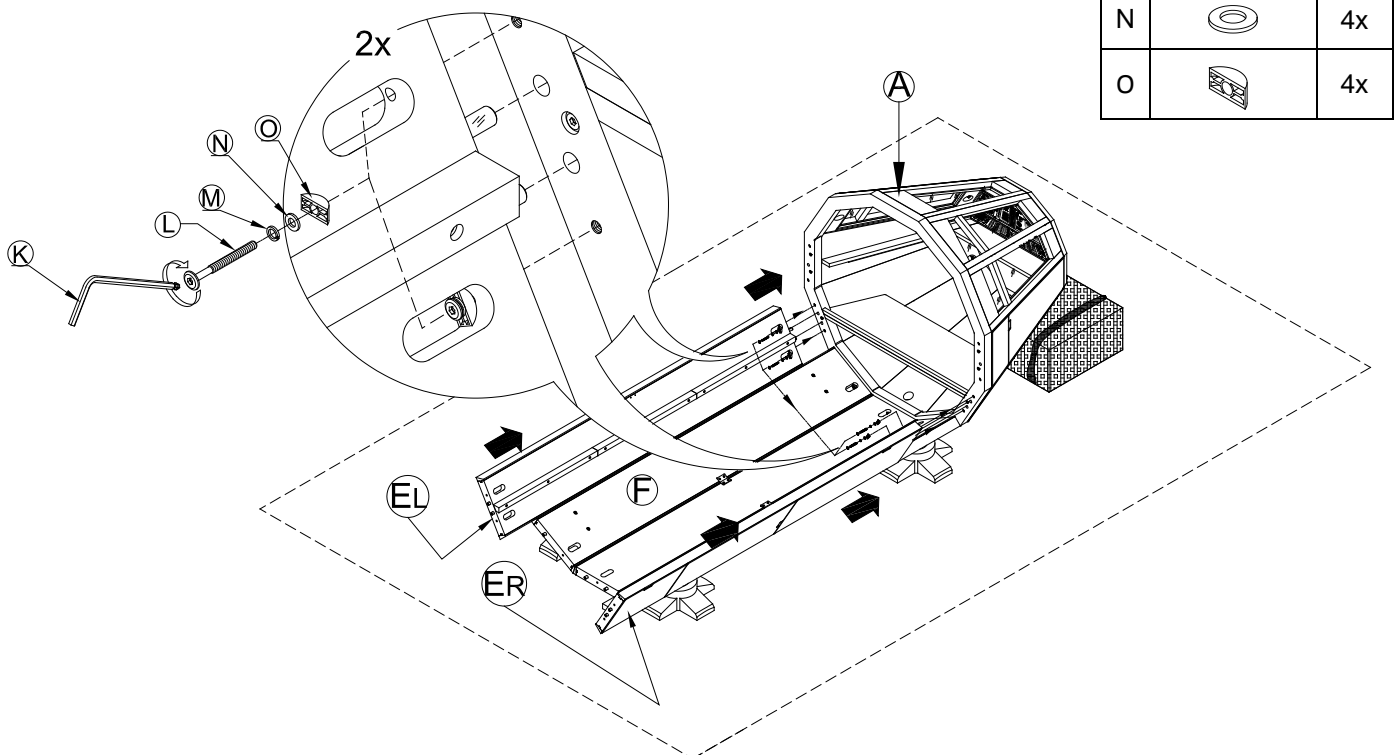
***Tip: See Image A (Page 4) for ease of assembly.**



L		1x
M		1x
N		1x
O		1x
V		1x
W		4x

8. Attach (EL & ER) to (A), as seen in the illustration below.

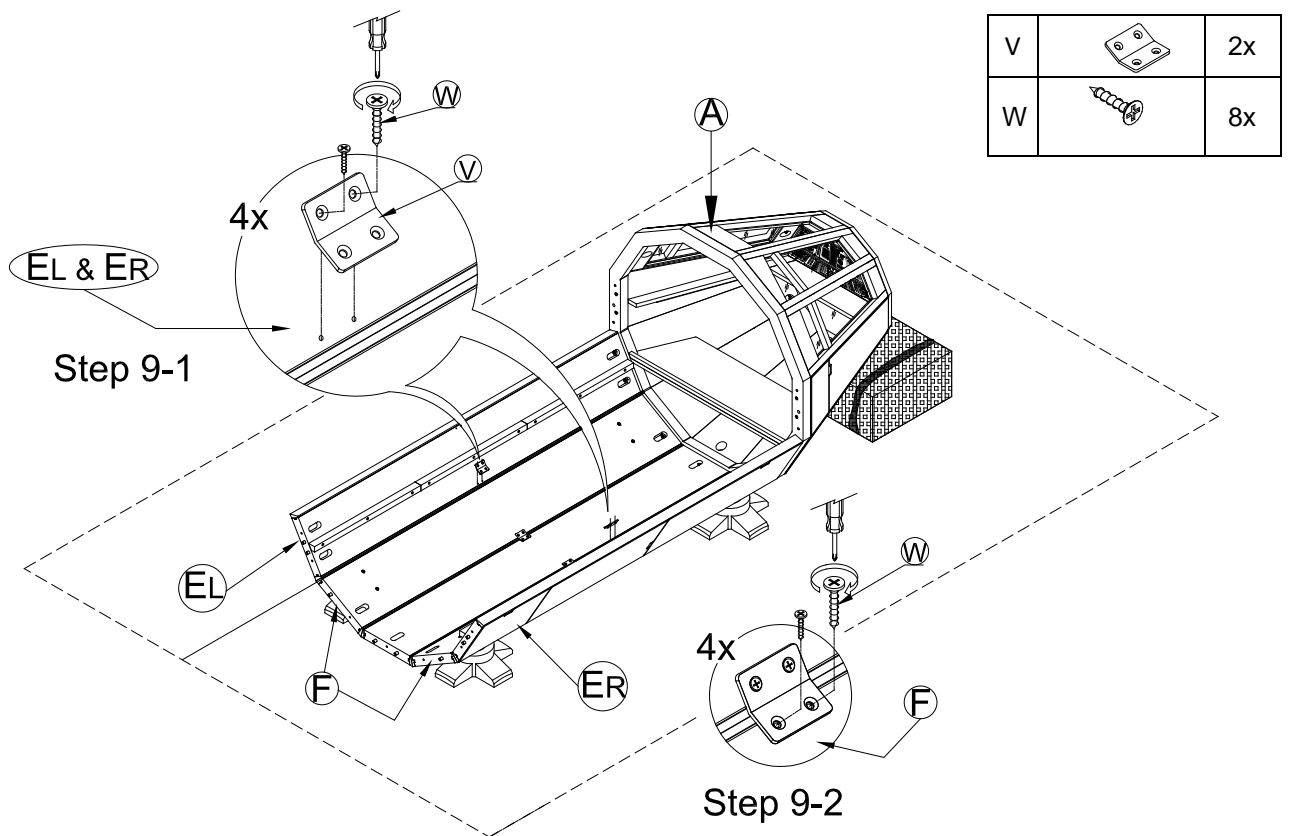
***Tip: See Image A (Page 4) for ease of assembly.**




L		4x
M		4x
N		4x
O		4x

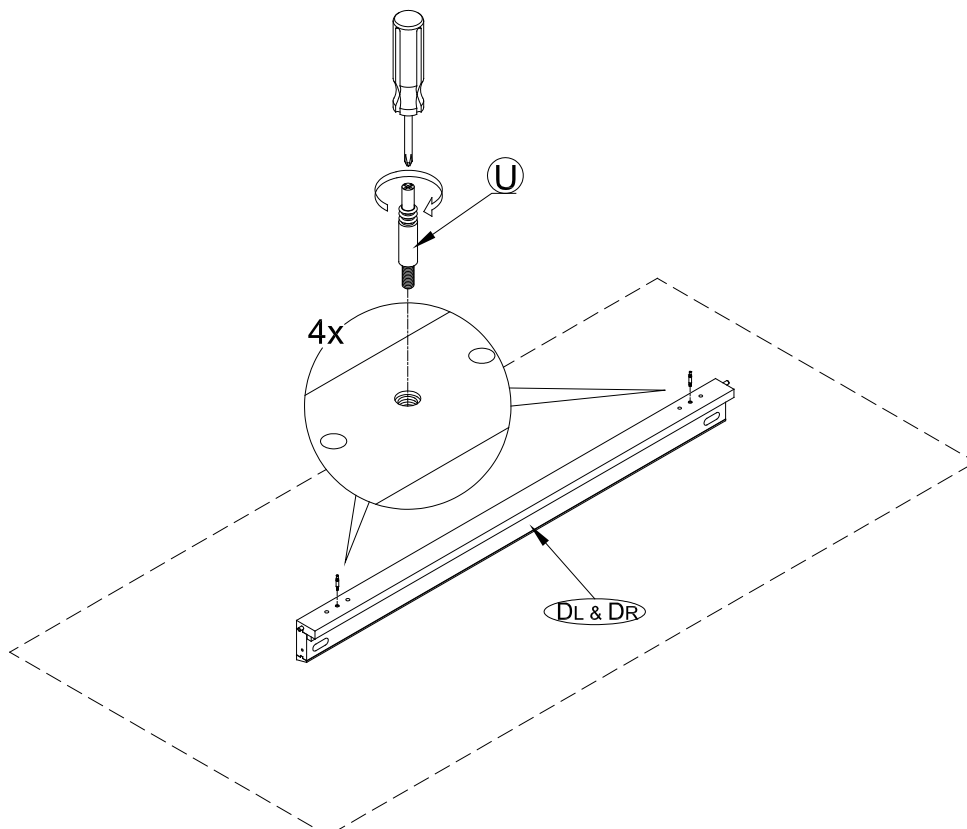
9. Attach (EL) and (ER) to (F), as seen in the illustration below.

Note: Tighten the mending plate to the pre-drilled holes first. Check alignment and tighten the rest screws.



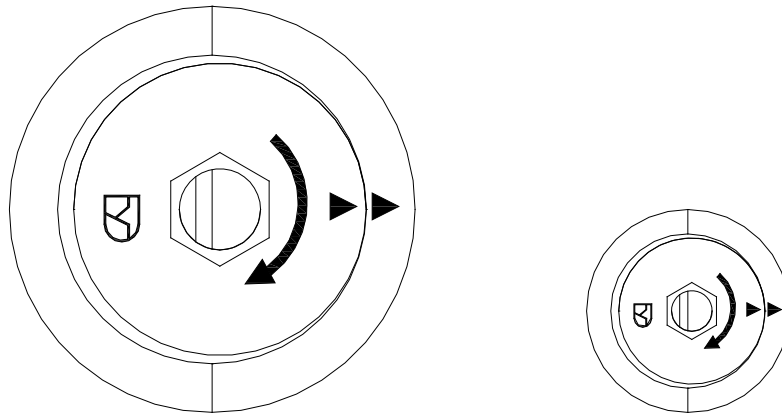
10. Thread (U) to (DL&DR), as seen in the illustration below.

U		4x
---	---	----

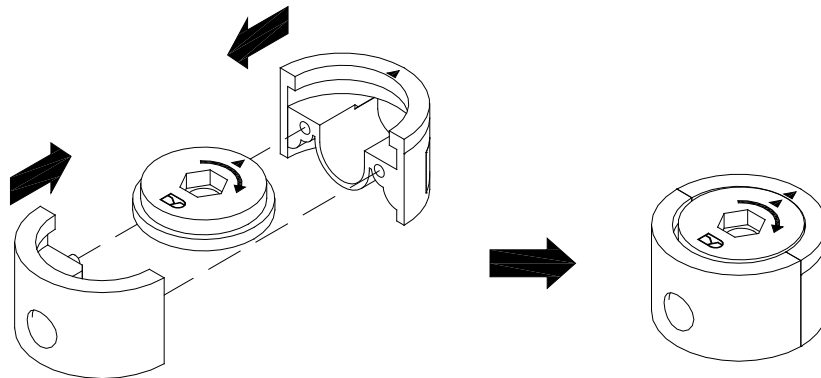


Note:



- Prior to inserting the Cam into the countersunk, align the outer arrow on the Cam with the inner arrow at the center of the Cam, as seen below.

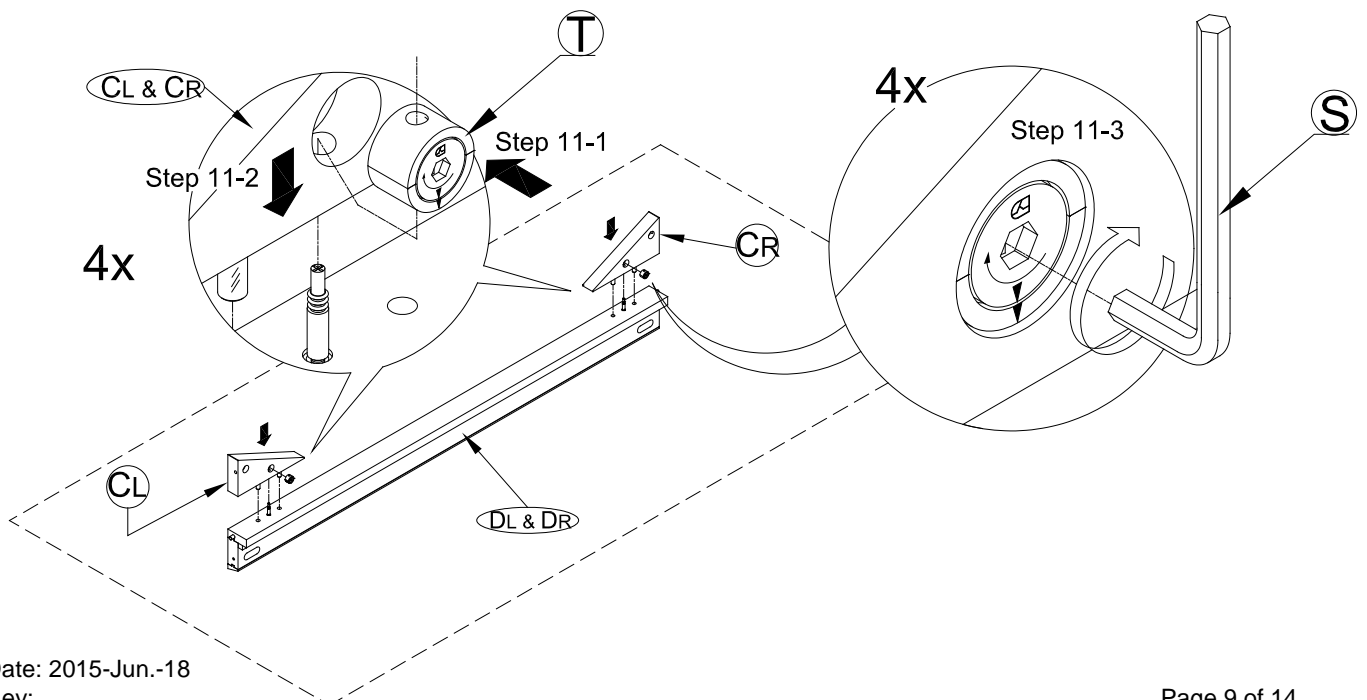


- The cam may become disassembled during shipping. If you find it disassembled, please re-assemble, as shown in the illustration below.

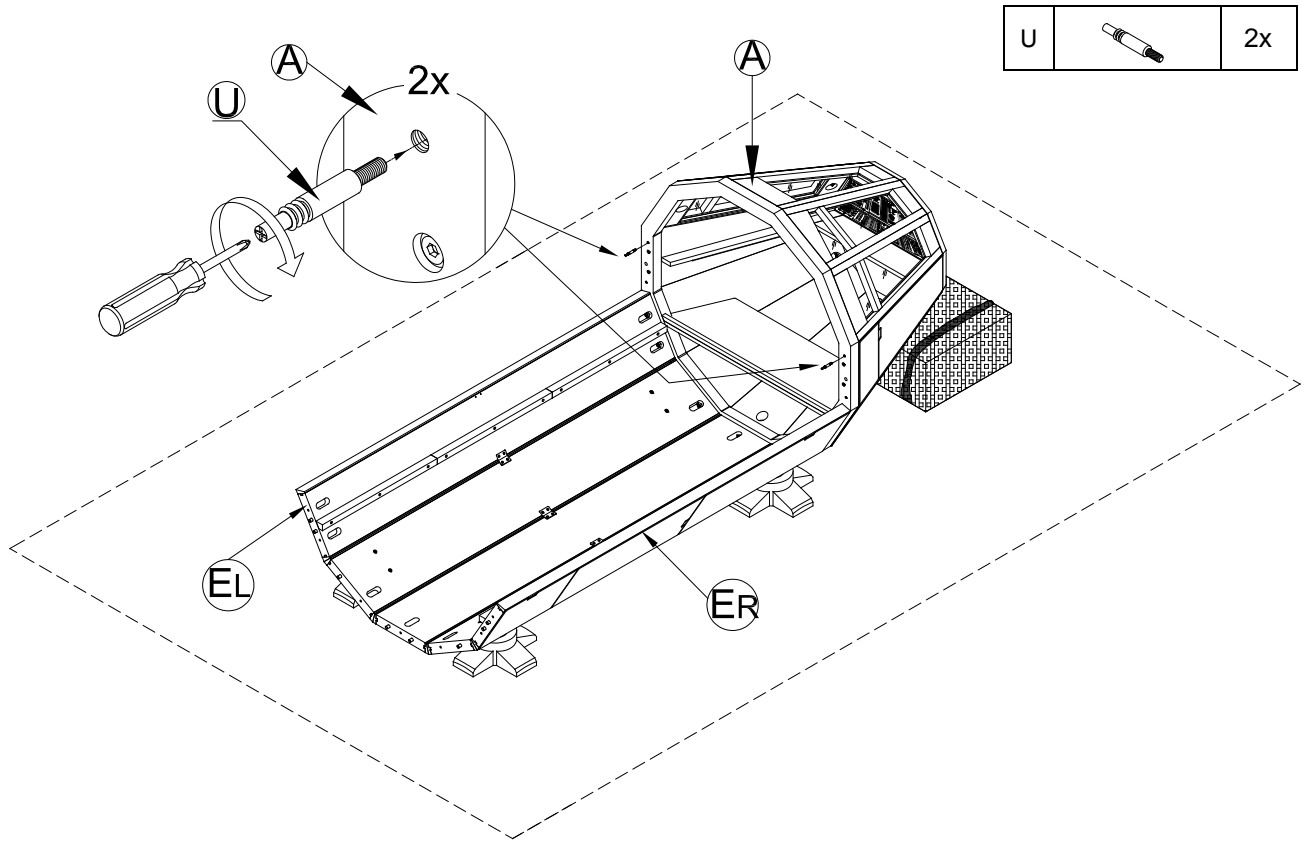


11. Insert (T) to (CL&CR), attach (CL&CR) to (DL&DR), tighten (T) with Allen key (S) as seen in the illustration below.

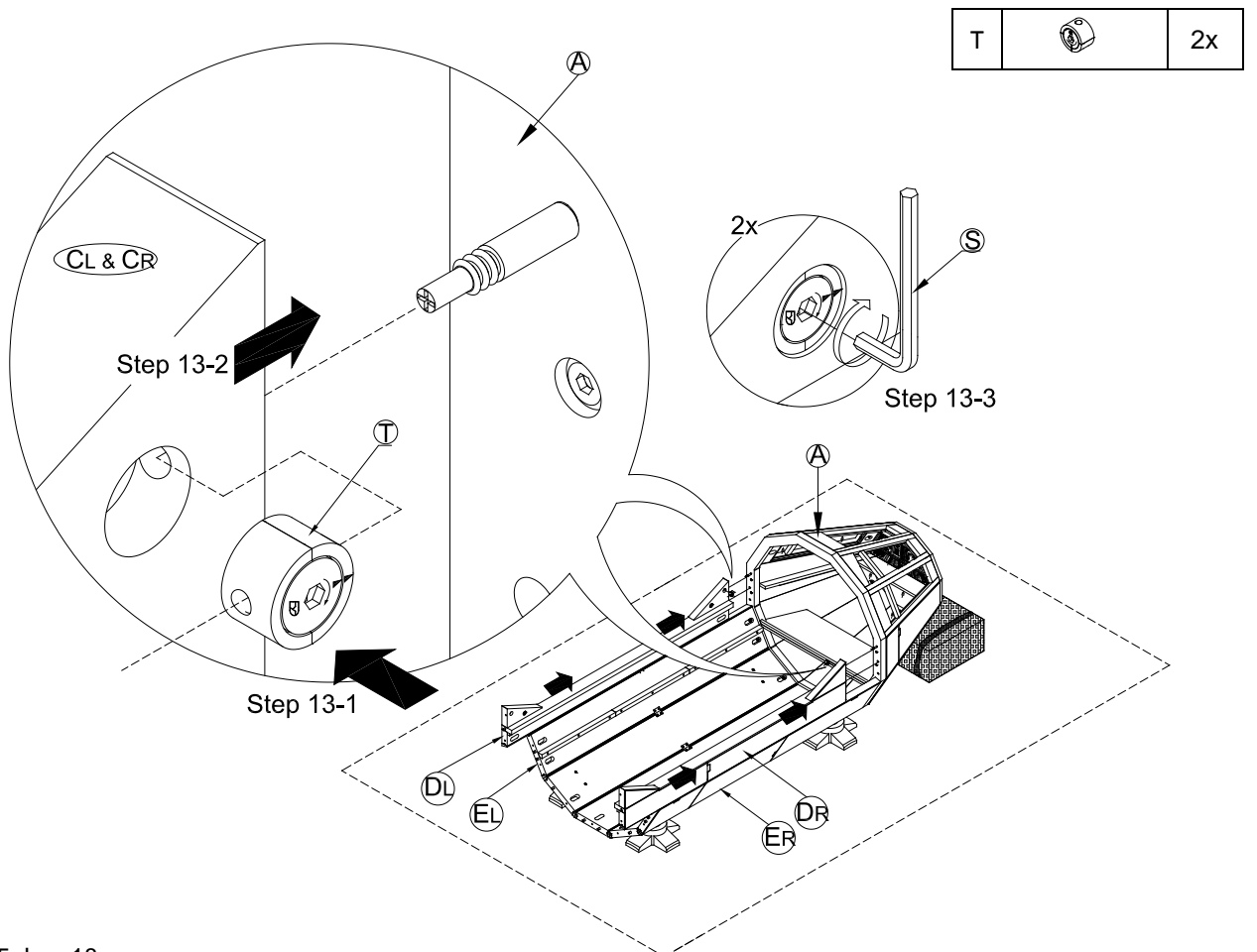
T		4x
S		1x






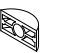


12. Insert (U) to (A), as seen in the illustration below.

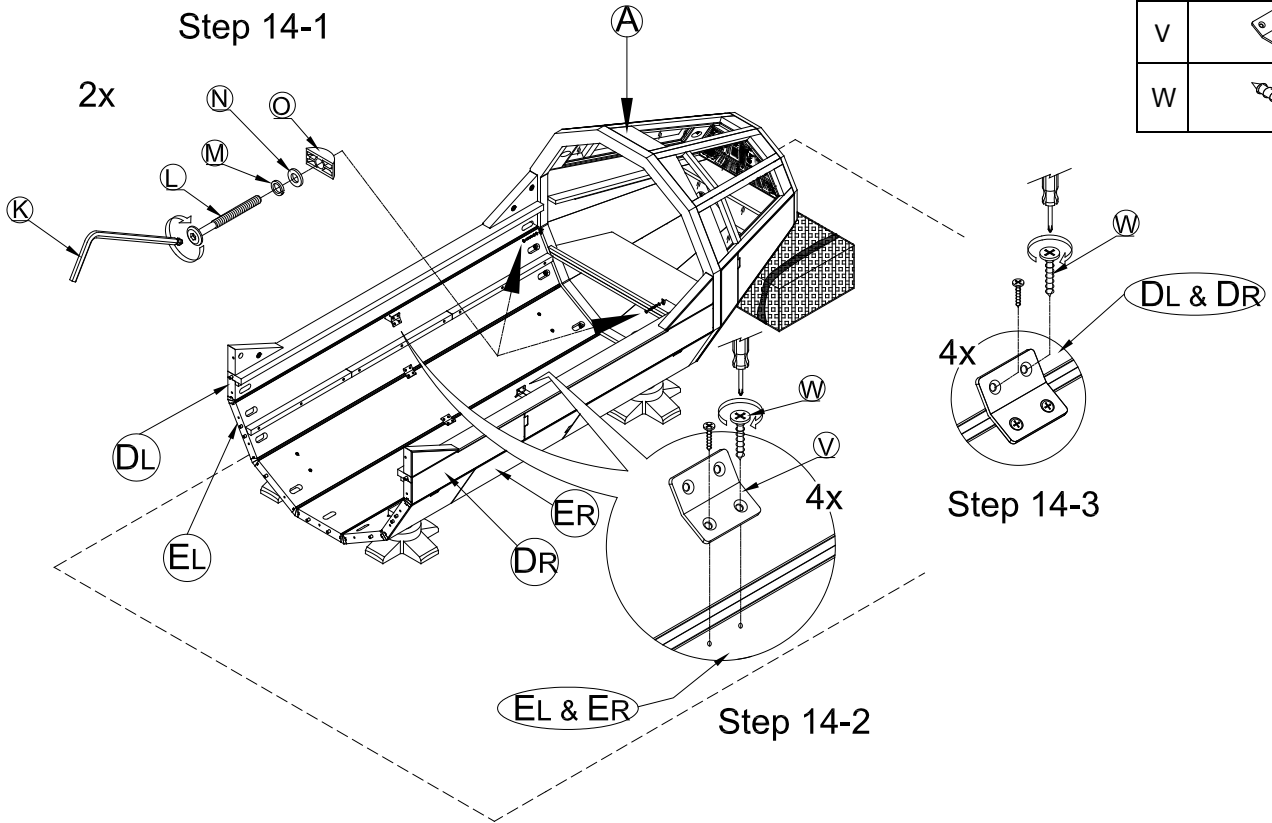


13. Insert (T) to (CL&CR), attach(DL&DR) to (A), tighten (T) with Allen key (S) as seen in the illustration below.



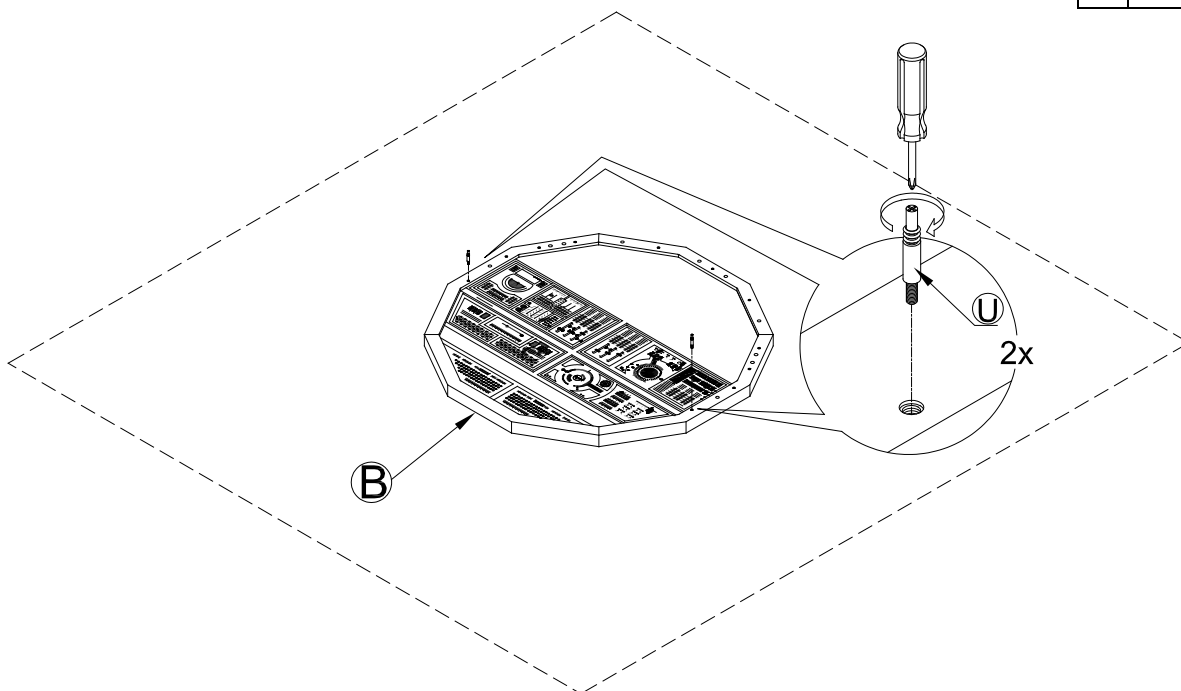
14. Repeat step # 5 to secure (DL&DR) to (A) and (EL & ER), as seen in the illustration below.

L		2x
M		2x
N		2x
O		2x
V		2x
W		8x

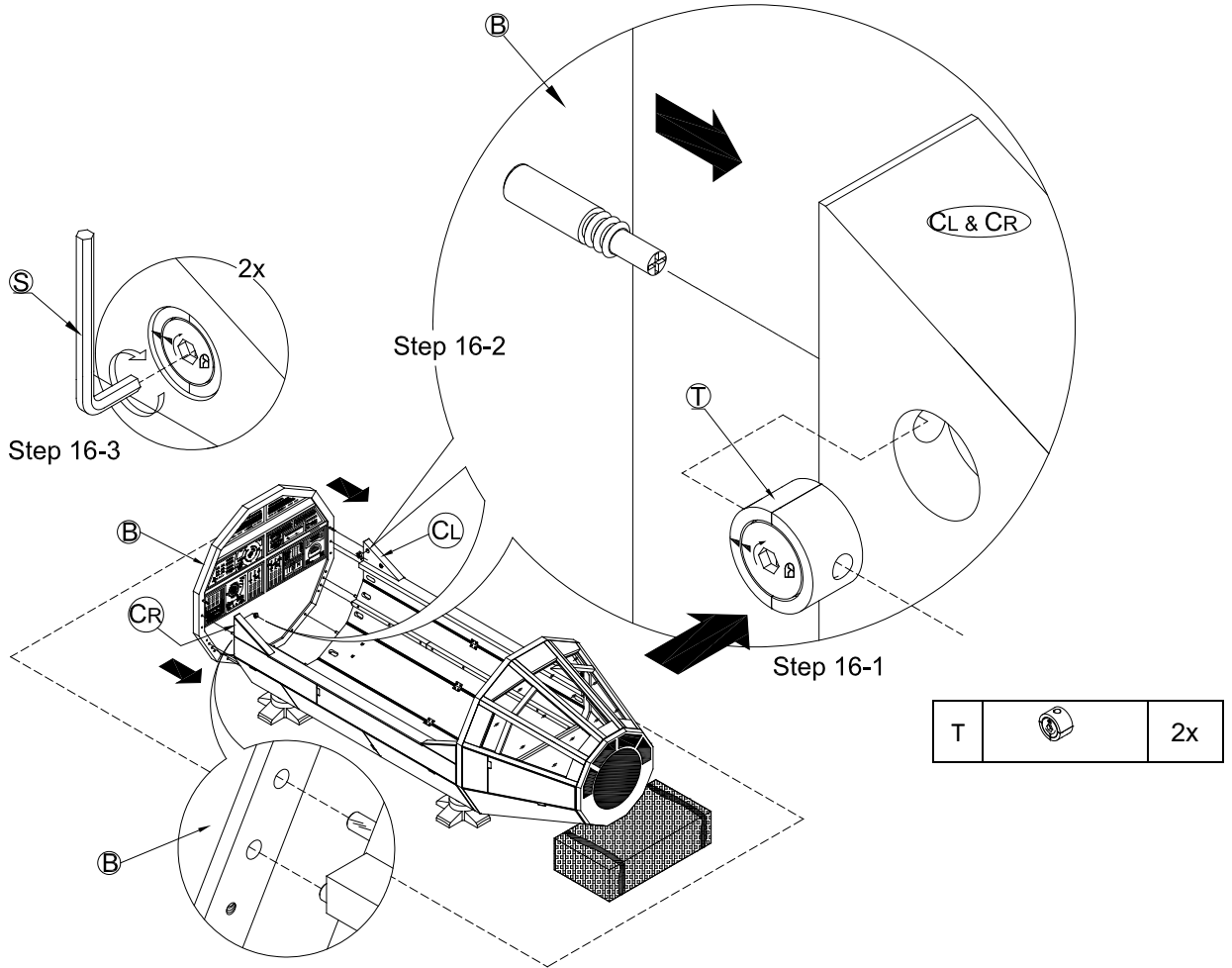



15. Insert (U) to (B) , as seen in the illustration below.

U		2x
---	---	----



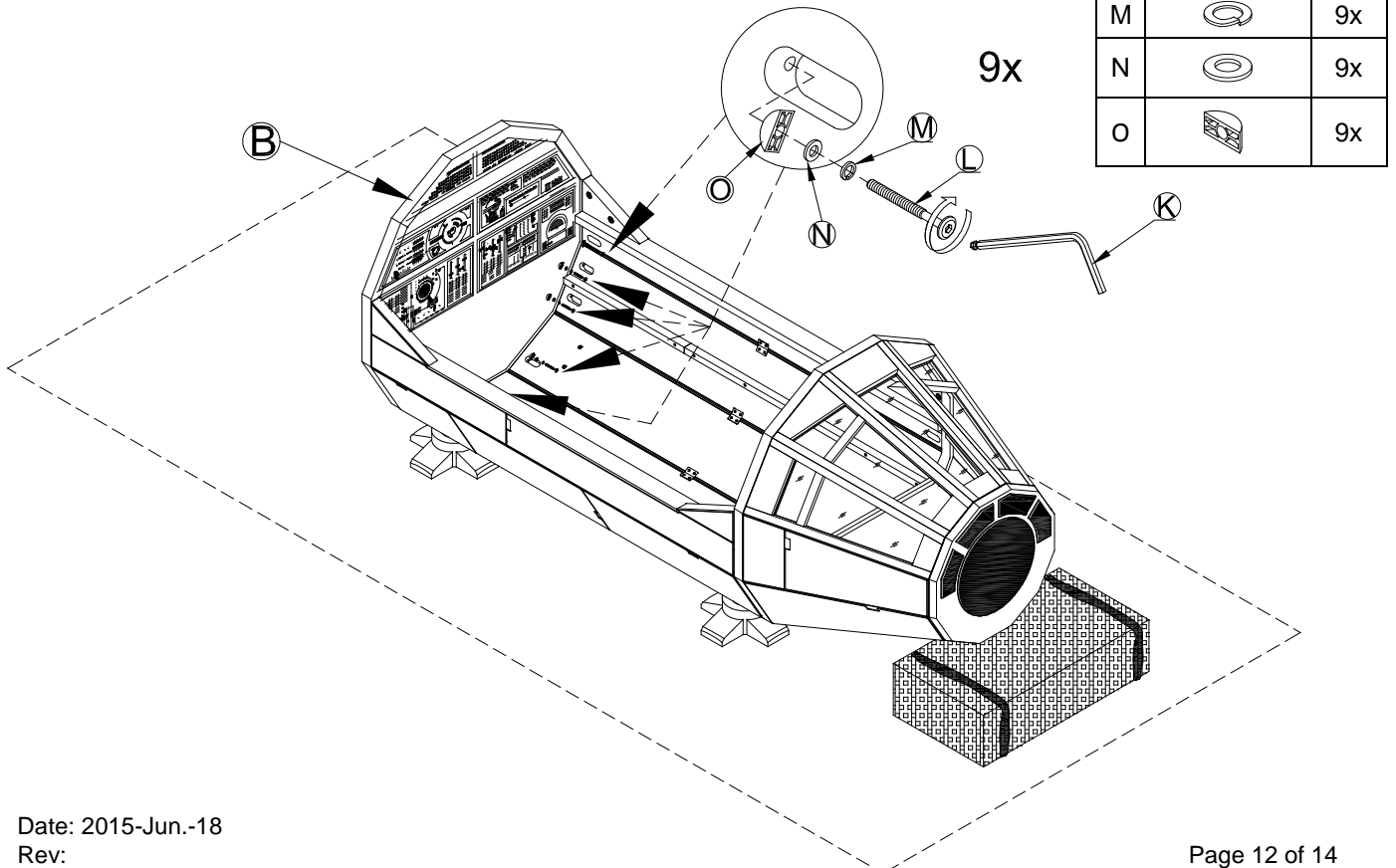
16. Insert (T) to (CL&CR), attach(B) to (CL&CR), tighten (T) with Allen key (S) as seen in the illustration below.







T		2x
---	---	----

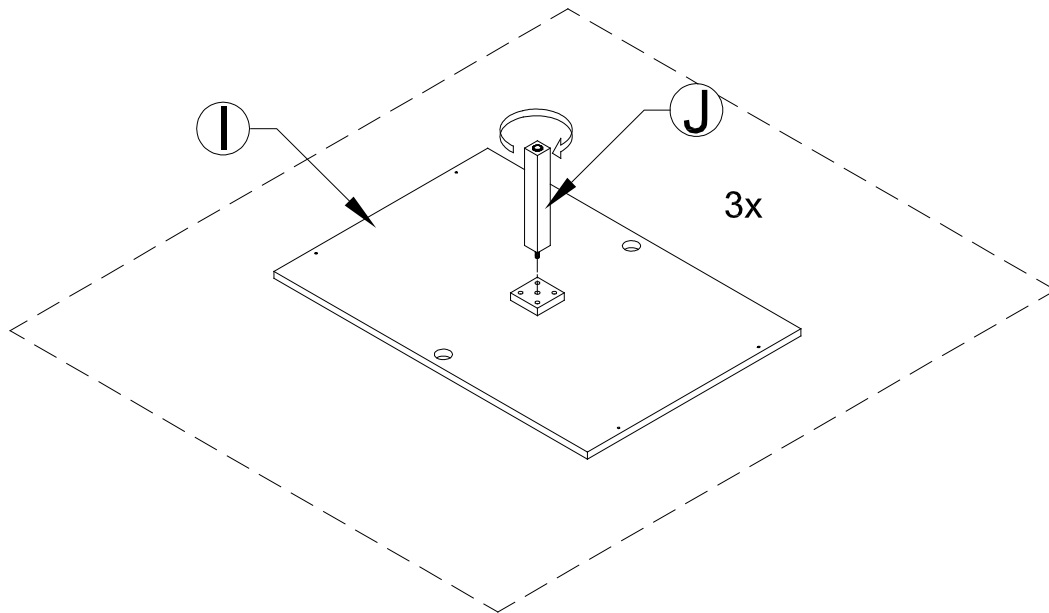
17. Secure all side rails to Headboard (B), as seen in the illustration below.

***Tip: See Image A (Page 4) for ease of assembly.**

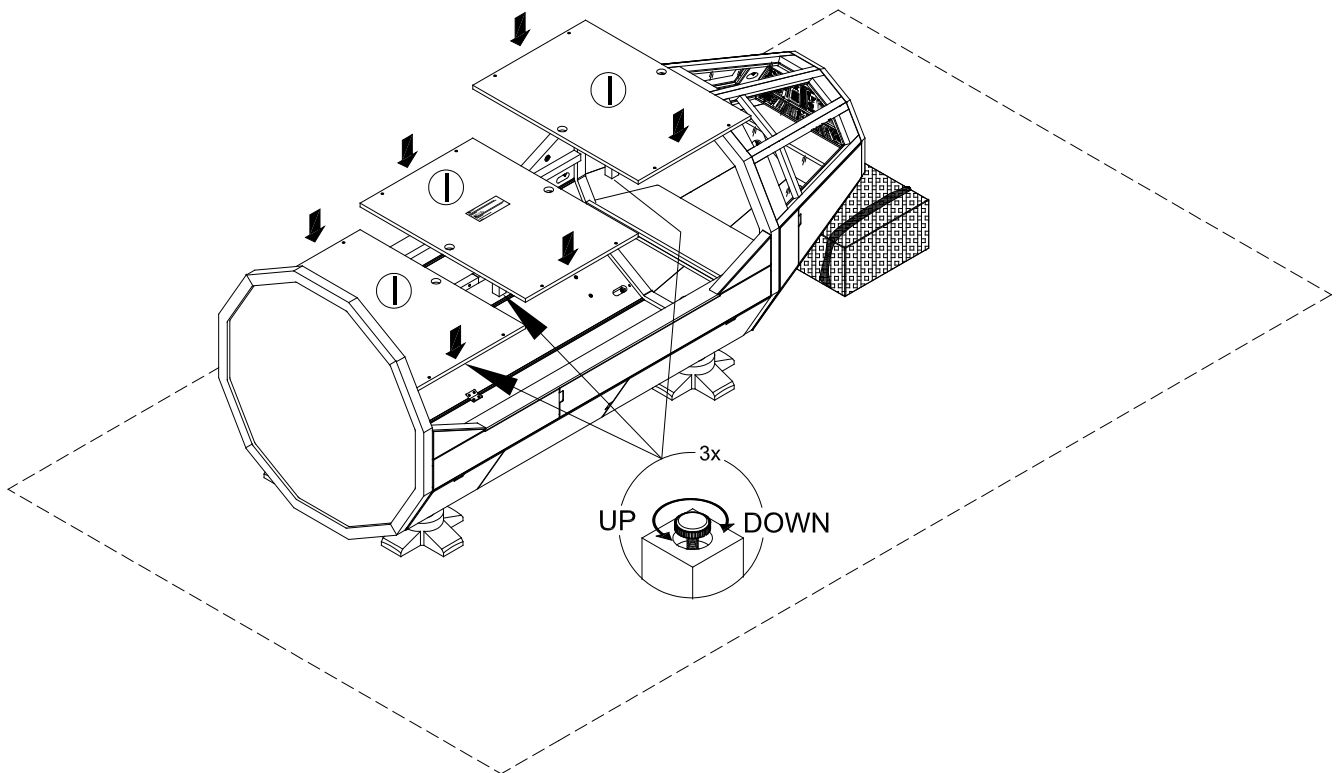


L		9x
M		9x
N		9x
O		9x

18. Thread 03pcs (J) to 03pcs (I), as seen in the illustration below.

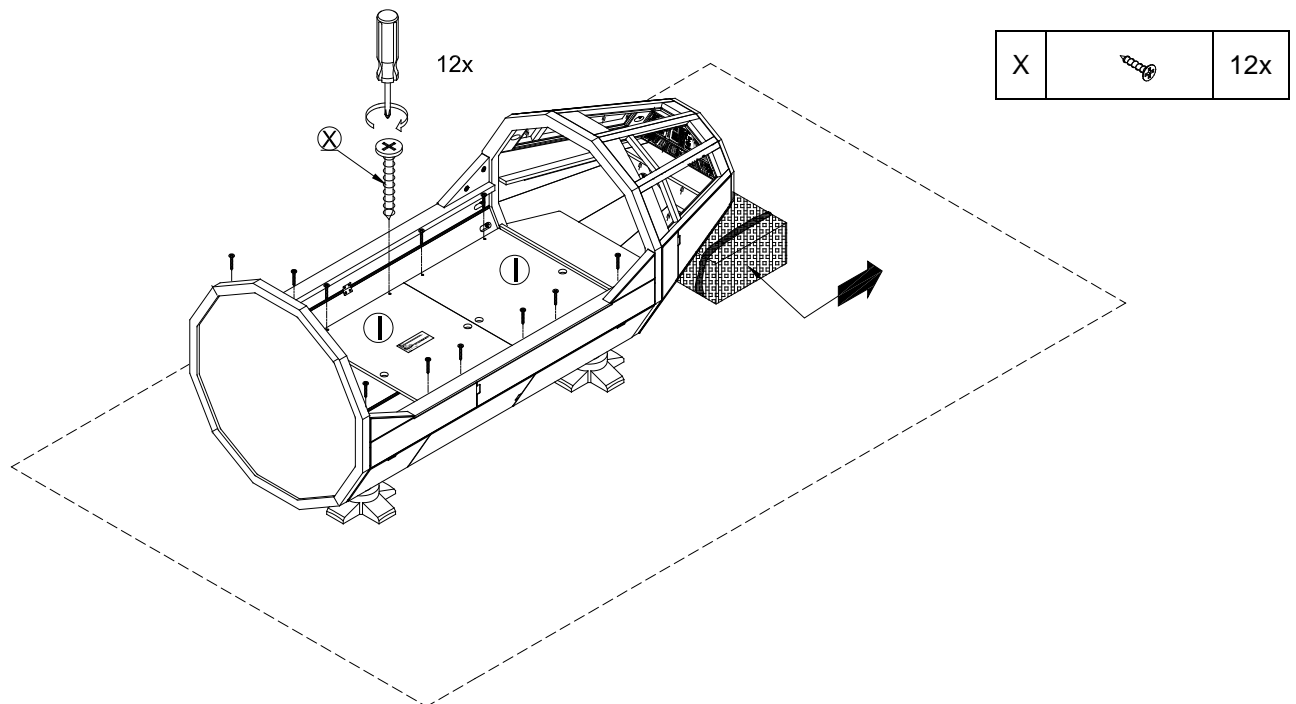


19. Place (I) in between of slat support on side rails, adjust the levelers on the bottom of the support legs (J) up or down) to level the panel, as seen in the illustration below.

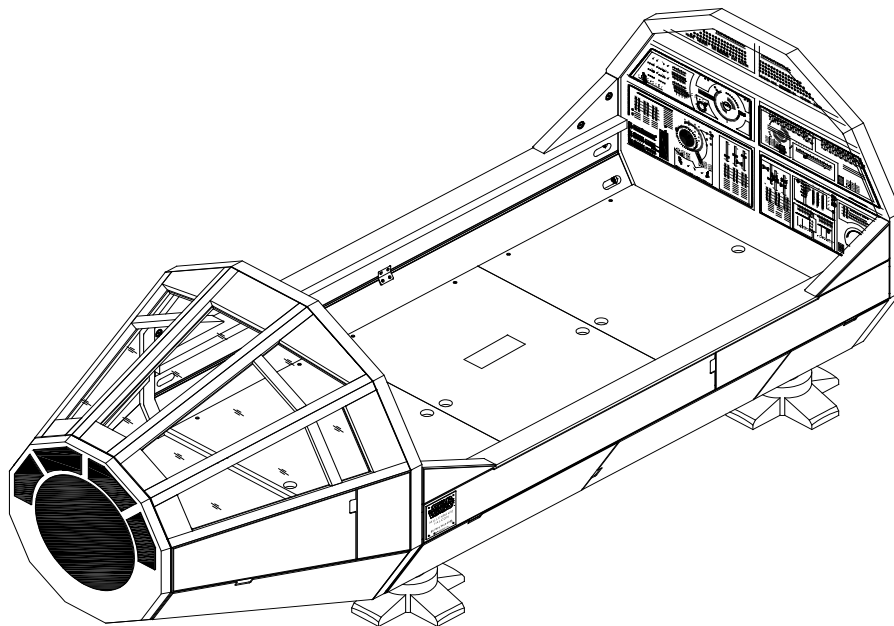


20. Secure (I) with screw (X).

21. Remove the Styrofoam under the footboard, as seen in the illustration below.



22. Assembly is now complete.



Care Instructions:

- Dust often using a clean, soft, dry, and lint-free cloth.
- Blot spills immediately and wipe with a clean, damp cloth.
- We do not recommend the use of chemical cleansers, abrasives, or furniture polish on our lacquered finish.
- Hardware may loosen over time. Periodically check to make sure all connections are tight. Re-tighten if necessary.

Thank you for your purchase
Stores | catalog | www.potterybarnkids.com
USA 1.800.290.8181