

P O T T E R Y B A R N

SOMERSON TOOTHBRUSH HOLDER

Assembly Instructions

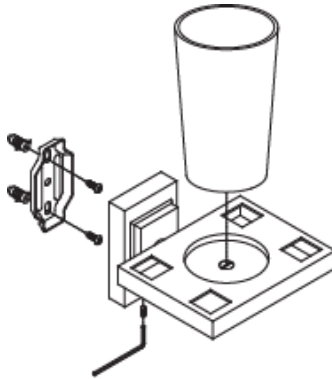
Note: For safe mounting, it is essential to use the proper hardware for your wall type. Be sure to consult your local hardware store to determine the hardware needed for your wall type (plaster, drywall, concrete, etc.). Mount to wood studs whenever possible.

Parts Included:

- (2) 8mm x 40mm Screws
- (2) Anchors
- (1) Mounting plate
- (1) Hex screw
- (1) Allen wrench
- (1) Toothbrush holder

Mounting Instructions:

1. Hold mounting plate at desired location. With a pencil, mark on the wall the screw hole locations. These marks will be used to determine the location of your mounting hardware.
2. Remove mounting plate. Use a carpenter's level or measure up from the floor at each mark to ensure holder will be level.
3. Attach mounting plate using hardware provided or the proper hardware for your wall type. Slide holder onto mounting plate.
4. Secure to plate by tightening hex screw with Allen wrench.



Care Instructions:

- Wipe with a soft, dry cloth.
- To protect the finish, do not use household cleaners or abrasives.

Thank you for your purchase
stores | catalog | www.potterybarn.com