

# P O T T E R Y B A R N

## Georgetown Tufted Headboard

### *Pre-Assembly:*

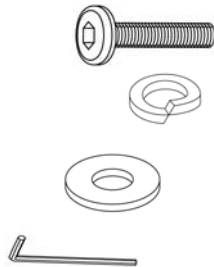
- Please read all instructions carefully before assembling.
- For your safety, assembly by two people is recommended.
- Save all packing materials until fully assembled to avoid accidentally discarding any hardware.

### *Parts Enclosed:*

- (1) Headboard with 3 pre-drilled holes in each side. **(A)**

### *Hardware Enclosed:*

- (6) M8x25mm Allen bolt **(B)**
- (6) M8 Spring Washer **(C)**
- (6) M8 Flat Washer **(D)**
- (1) M4 Allen key **(E)**



### *Required for Assembly:*

- (1) Pre-assembled bed frame (not included) **(F)**

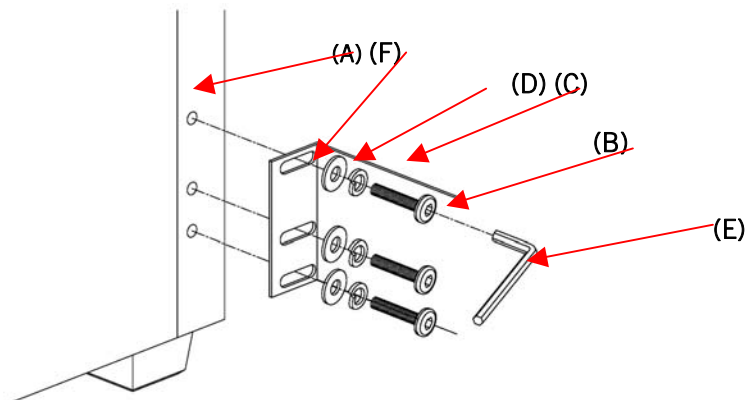


Fig 1.

### **Assembly Instructions:**

1. Align the holes of the bed frame faceplates **(F)** with the holes found in the sides of the headboard **(A)**. (Fig 1)
2. Insert the bolts **(B)** through the spring washers **(C)**, flat washers **(D)**, the slots of the bed frame's faceplates **(F)** and into the pre-drilled holes in the sides of headboard **(A)**. Tighten with Allen key **(E)**.
3. Assembly is complete. Periodically tighten all connections.

### **Care Instructions:**

- Vacuum regularly.
- Over the counter cleaning products are not recommended.
- Avoid exposure from sun, direct light and heat sources.
- Spot clean only.