

# POTTERY BARN

## CLASSIC MINI VANITY

### Assembly Instructions

#### Important Safety Instructions:

- Please read all instructions carefully before assembly.
- For your safety, assembly by two people is recommended.

#### Parts Included:

- (2) Shelf (A)

#### Hardware Enclosed:

- (8+2) Shelf peg (b)

#### Pre-Assembly:

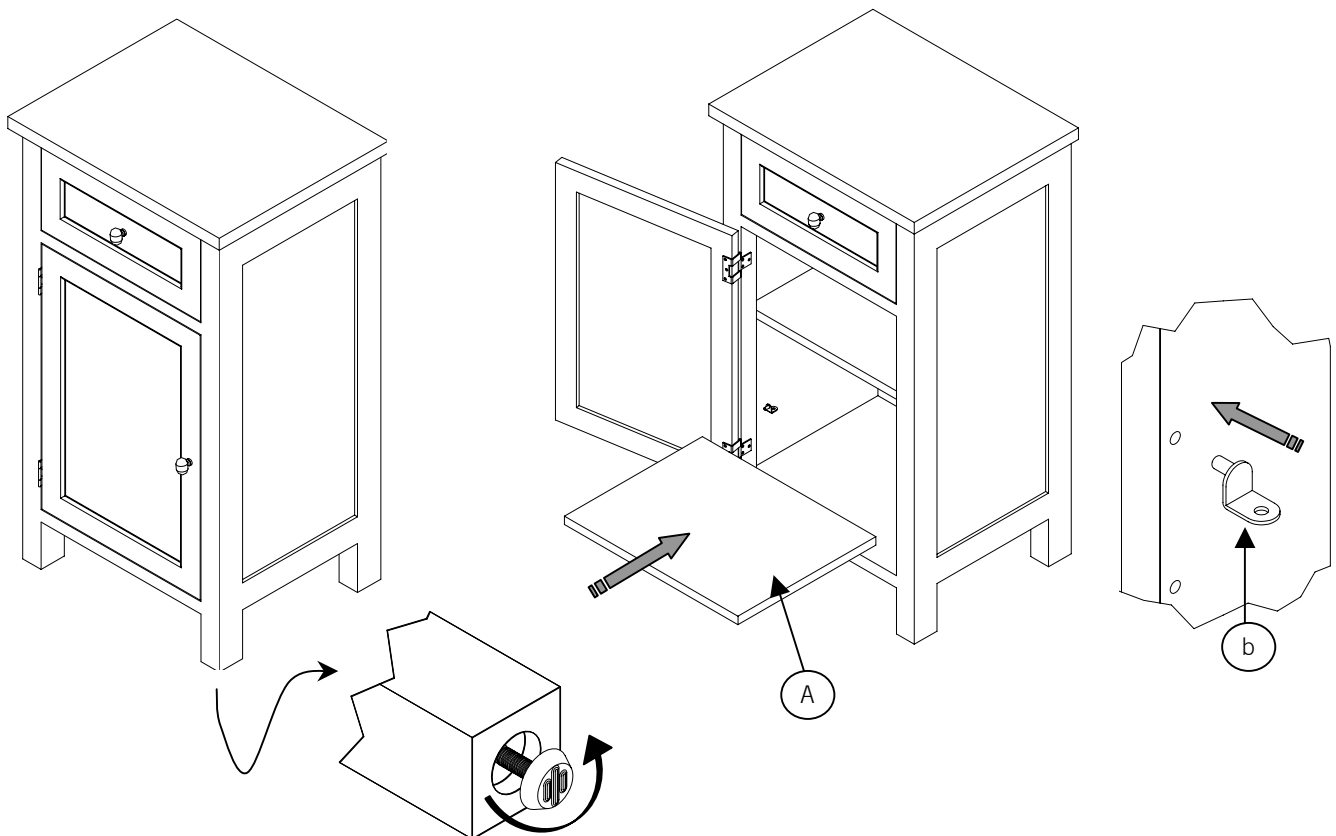
1. Remove all parts from the box and lay out on a clear carpeted or scratch-free work surface. (The shipping box provides an ideal work surface). This will avoid damaging any parts during assembly. Do not dispose of any contents until assembly is completed to avoid accidentally discarding small parts.
2. Use the parts lists above to identify and separate each of the pieces included.
3. The illustrations provided allow for easier assembly when used in conjunction with the assembly instructions.

#### Assembly Instructions:

1. Due to uneven floors, the furniture may not sit level causing the cabinet to wobble. If the piece wobbles, determine which corner does not touch the ground evenly. With two people follow these steps: (Figure 1)
  - Carefully elevate the item slightly to provide access to the levelers attached to the bottom.
  - Turn the levelers in a counter-clockwise direction.
  - Gently set down the piece and check stability.
  - Repeat steps until the furniture sits firmly on the ground.
2. Determine the desired level for the shelf. Place the Shelf pegs (b) into the pre-drilled holes.
3. Carefully insert the Shelf (A) into the cabinet and gently rest the shelf onto the Shelf pegs. Repeat for both shelves.

Figure 1

Figure 2



#### Care Instructions:

- Dust with a clean, soft cloth
- Avoid the use of chemicals and harsh cleaning agents

Thank you for your purchase  
stores | catalog | [www.potterybarn.com](http://www.potterybarn.com)