

POTTERY BARN

Mother of Pearl Towel Bar Assembly Instructions

Note:

For safe mounting, it is essential to use the proper hardware for your wall type. Contact your local hardware store for assistance, if necessary. For safety and ease of mounting, installation is recommended using two people. Mount to wood studs whenever possible.

Tools Needed:

Level, tape measure, stud finder, Phillips screwdriver, pencil

Parts Included:

- 4 Plastic anchors (for dry wall only)
- 4 Metal screws
- 1 Allen wrench
- 2 Mounting plates
- 1 towel bar with pre-attached set screws

Mounting Instruction

1. Pre-assemble towel bar. Hold mounting plate at desired location. With a pencil, mark on the wall the screw hole location. Remove from wall. These marks will be used to determine the location of your mounting hardware.
2. Use a level or measure up from the floor at each mark to ensure the bar will be level.

Dry Wall Mounting:

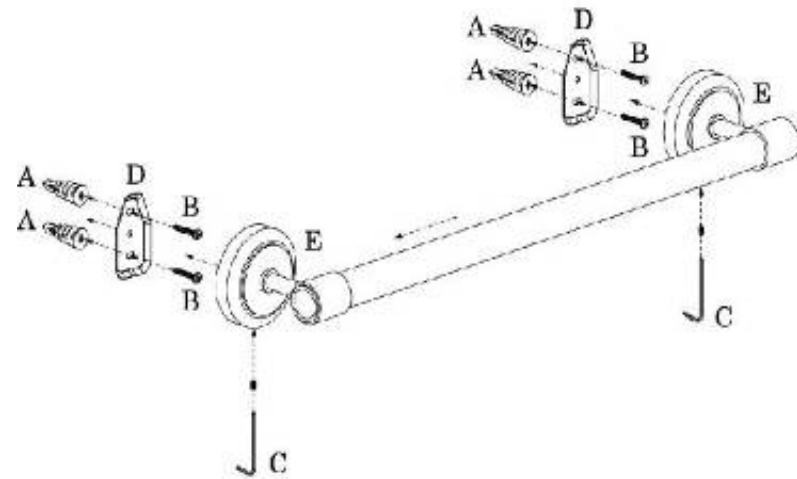
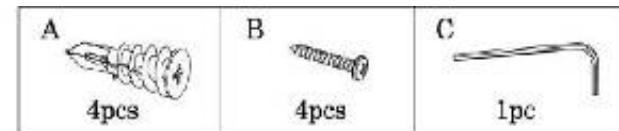
1. Use a Phillips screwdriver to insert the plastic anchors. Do not “push” or drive the anchors into the wall, they are designed to bore into the wall like a drill bit. Slowly turn the anchors clockwise while applying pressure until the flange just touches the wall.
2. Attach mounting plate by inserting metal screws into previously installed dry wall plastic anchors. Tighten screws with a Phillips screwdriver.
3. Attach towel bar onto mounting plates. Secure the set screw from bottom by using Allen wrench. Turn clockwise until tight.

Stud Mounting:

1. Attach mounting plate by inserting screws directly into the wall (do not use anchors). Tighten screws with a Phillips screwdriver.
2. Attach towel bar onto mounting plates. Secure the set screw from bottom by using Allen wrench. Turn clockwise until tight.

Care Instructions:

Wipe with a soft, dry cloth. To protect the finish, do not use household cleaners or abrasives.



Thank you for your purchase

stores | catalog | www.potterybarn.com