

P O T T E R Y B A R N

COTTAGE RECESSED MAGAZINE RACK

Assembly Instructions

Note: Professional Installation Required

Important Safety Instructions:

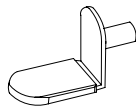
- For safe mounting, it is essential to use appropriate toggle for your wall type (plaster, drywall, concrete, etc.)
- Contact your local hardware store to determine the hardware needed.
- Mount to wood studs whenever possible.
- Two people are recommended for safety and ease of mounting.

Parts Included:

- (1) Shelf

Hardware Included:

- (4) Shelf Brackets - A



Pre-Assembly

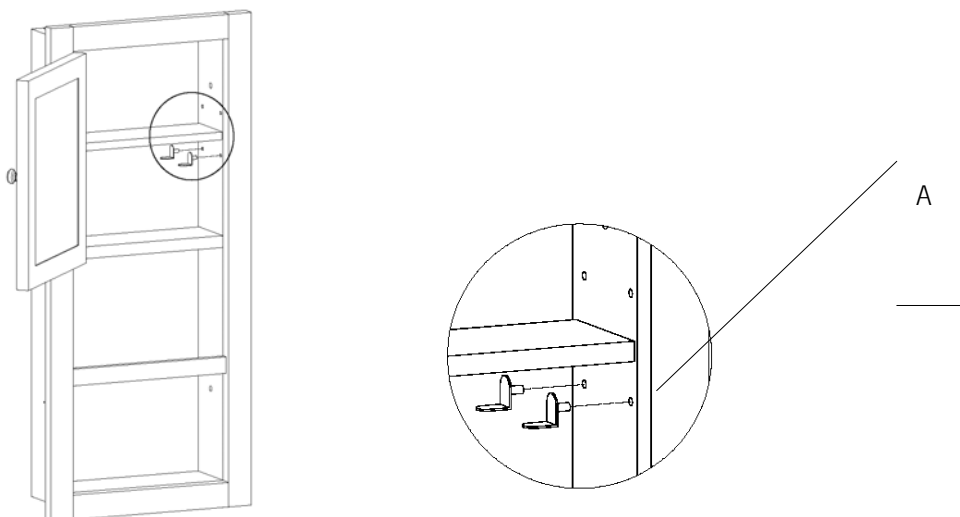
- Please read all instructions before beginning assembly.
- Save all packing materials until mounting is complete to avoid accidentally discarding smaller parts or hardware.
- Keep all parts and plastic bags out of the reach of children.

Mounting Instructions:

1. After measuring the recessed portion of cabinet, make a cut out in the wall measuring 292mmW x 89mmD x 705mmH (approximately 11-1/2" W x 3-1/2" D x 27-3/4" H).
2. Place the cabinet into the wall. With a pencil, mark the location of the 4 screw holes. Use a carpenter's level to ensure that the cabinet will be level.
3. Mount the cabinet to the wall with the proper hardware for your wall type.

Shelf Instructions:

1. Insert shelf brackets into the corresponding holes at desired level.
2. Carefully place shelf onto brackets.



Care Instructions:

- Wipe with a soft, dry cloth.
- Avoid cleaners and abrasives as they may damage finish.