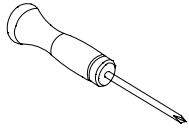


P O T T E R Y B A R N

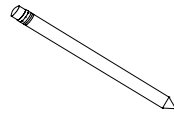
Petaluma Wall Storage Double Door

- This hanging system is meant for drywall/stud mounting only.
- If walls are concrete, brick or plaster, please consult your local hardware store for assistance.
- For safety, installation by two people is recommended.

Tool Required (Not Included):

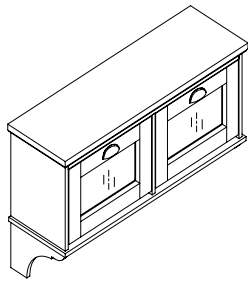


Stud Finder Phillips Screwdriver

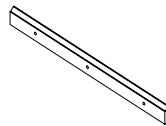


Pencil

Parts Included:

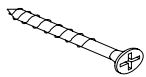


Wooden Cabinet (1pc) - A

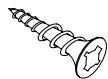


Wall Rail (1pc) -B

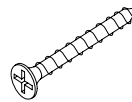
Hardware Included :



Toggle Screw (2pcs) -a



Toggle (2pcs) - b



Wood Screw (1pc) -c



Rubber Pad (4pcs) -d

Pre-Assembly:

- Remove all parts and hardware from the box and lay out on a clear workspace, along with any plastic protective packaging. Do not dispose of any contents until assembly is complete to avoid accidentally discarding small parts or hardware.
- Use the parts and hardware lists above to identify and separate each of the pieces included.
- The illustrations provided allow for easier assembly when used in conjunction with the assembly instructions.

MOUNT WALL RAIL TO THE WALL

1. Position the wall rail (b) on the wall and adjust so that the rail is level .Then, use a felt-tipped pen to mark the wall through the three pre-drilled holes of the rail to indicate the locations of the drywall toggles.
2. Using a manual screwdriver, drive two toggle (b) into the drywall at the marks on the left and right. To install these toggles (b) into the wall, simply rotate them at the marked location as if they were a large screw, applying smooth even force. **DO NOT HIT THEM WITH A HAMMER AND DO NOT USE A POWER DRILL TO ROTATE THEM.** These toggles are designed to bore themselves into the wall. Continue rotating until the toggle head advances flush with the wall surface.

POTTERY BARN

Petaluma Wall Storage Double Door

- Once the toggles (b) are installed into the wall at the marked locations, reposition the wall rail (B) so that the marked holes of the rail align with the toggles. Using the supplied toggle screw (a) secure the rail (B) to the installed toggles (b). Note: The toggle includes a nut portion that must be "set" into a locked position prior to using the product. This is done automatically as you rotate the toggle screw into the toggle, but keep in mind that the screw must be rotated quite a few times before the nut finally reaches this locked position. The nut will create resistance when it reaches the locked position within the wall.
- Screw the wood screw(c) into the wall through the middle hole of wall rail. See **Fig. 1**

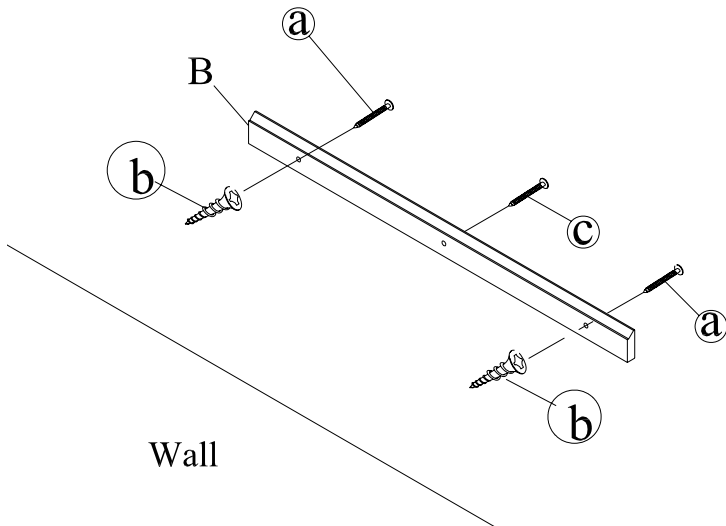


Fig. 1

HANG THE PRODUCT ONTO THE MOUNTED WALL RAIL

- On the back of your product is one affixed product-rail..
- Carefully position the product-rail slightly above and against the wall rail, insuring that the two brackets are aligned. Engage the two rails. See **Fig. 2**

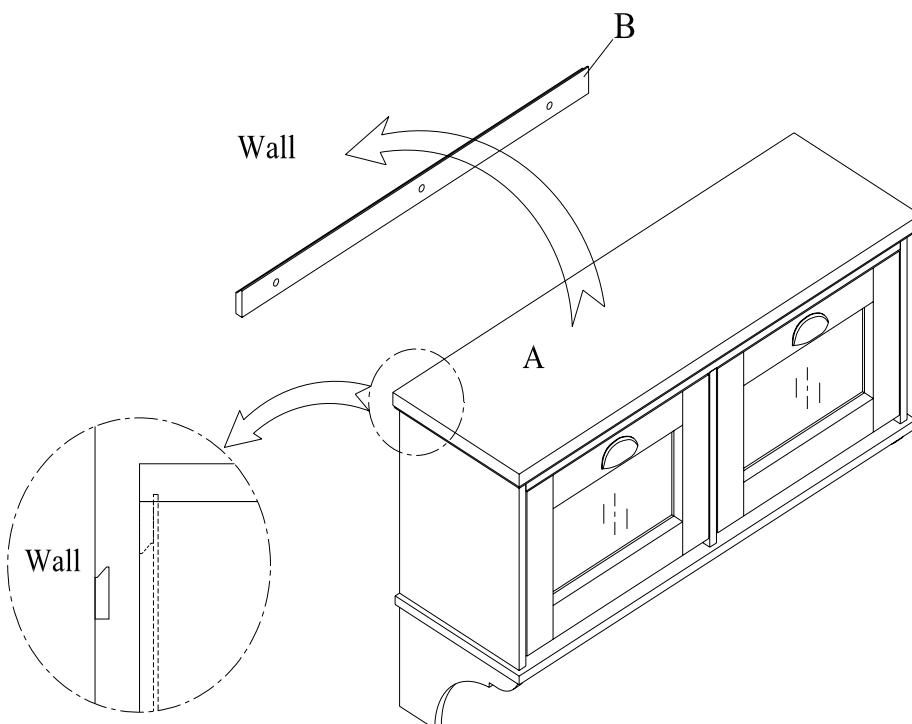


Fig. 2

POTTERY BARN

Petaluma Wall Storage Double Door

Optional: Attach the rubber pad (d) into the magnet in the cabinet. See **Fig. 3**

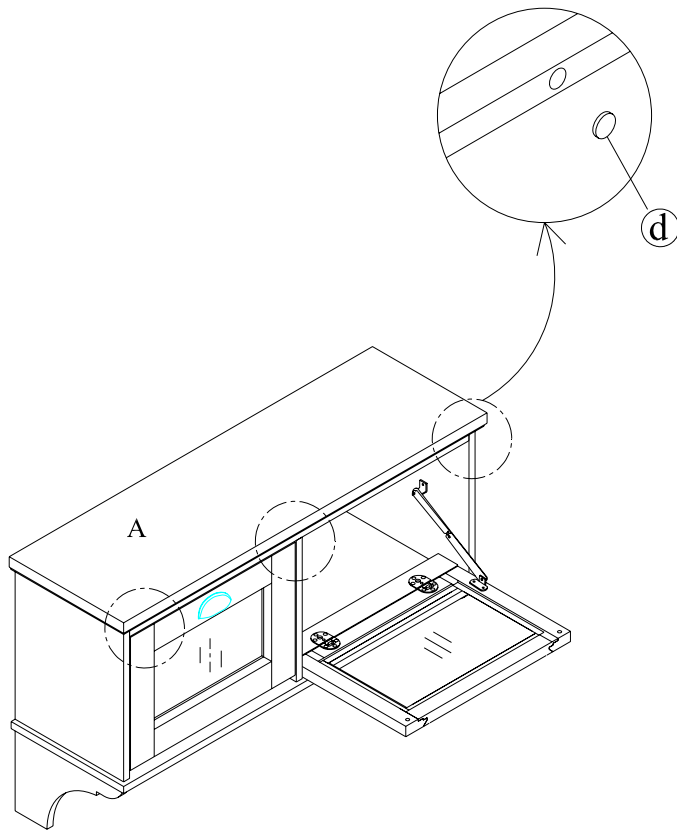


Fig. 3

Care Instructions:

- ◆Wipe cabinet with a soft, dry cloth.
- ◆To protect the finish, avoid the use of all chemical and household cleaners and abrasives as they may damage finish.

thank you for your purchase
Stores/catalog/www.potterybarn.com