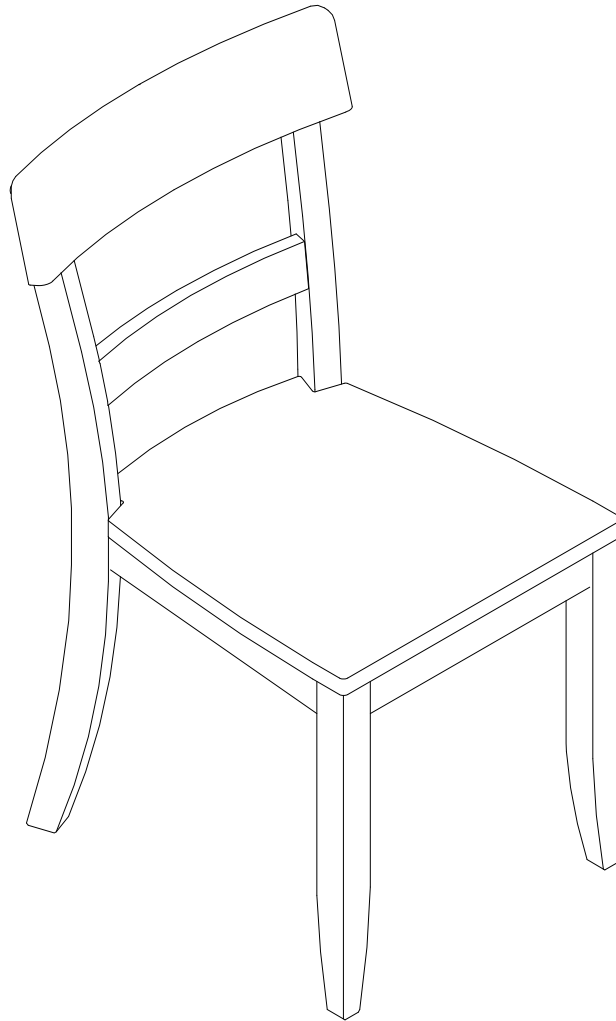


POTTERY BARN



METRO DINING SIDE CHAIR

Important Safety Instructions:

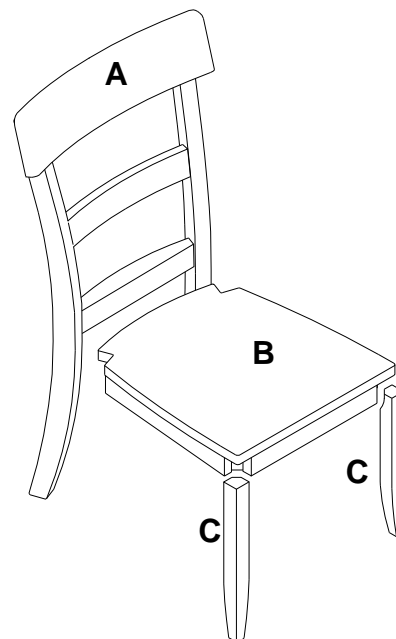
- Please read all instructions carefully before assembling.
- For your safety, assembly by two or more adults is strongly recommended.
- Keep instructions for future use.
- Use only vendor supplied hardware to assemble. Using unauthorized hardware could jeopardize the structural integrity of the item.

Pre-assembly:

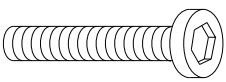
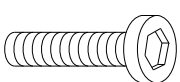

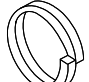
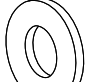
- Remove all parts and hardware from the box and lay out on a clear carpeted or scratch-free work surface, as this will avoid damaging parts during assembly. The shipping box provides an ideal work surface.
- Do not dispose of any packaging or contents of the shipping carton until assembly is completed to avoid accidentally discarding small parts or hardware.
- Use the parts and hardware lists below to identify and separate each of the pieces included.
- The illustrations provided allow for easier assembly when used in conjunction with the assembly instructions.
- The use of power tools to aid in assembly is not recommended. Power tools can damage hardware and split wood.

Parts Included:

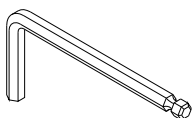
- (A) Chair Back 1x
- (B) Chair Seat 1x
- (C) Front Leg 2x



Hardware Included:

(D) Long Bolt	(E) Short Bolt	(F) Nut	(G) Spring Washer	(H) Flat Washer
				
Dia. 5/16"x3-1/2" 4x	Dia. 5/16"x1-3/4" 1x	Dia. 5/16" 4x	Dia. 5/16" 9x	Dia. 5/16"x19mm 9x

Tools Required (included):



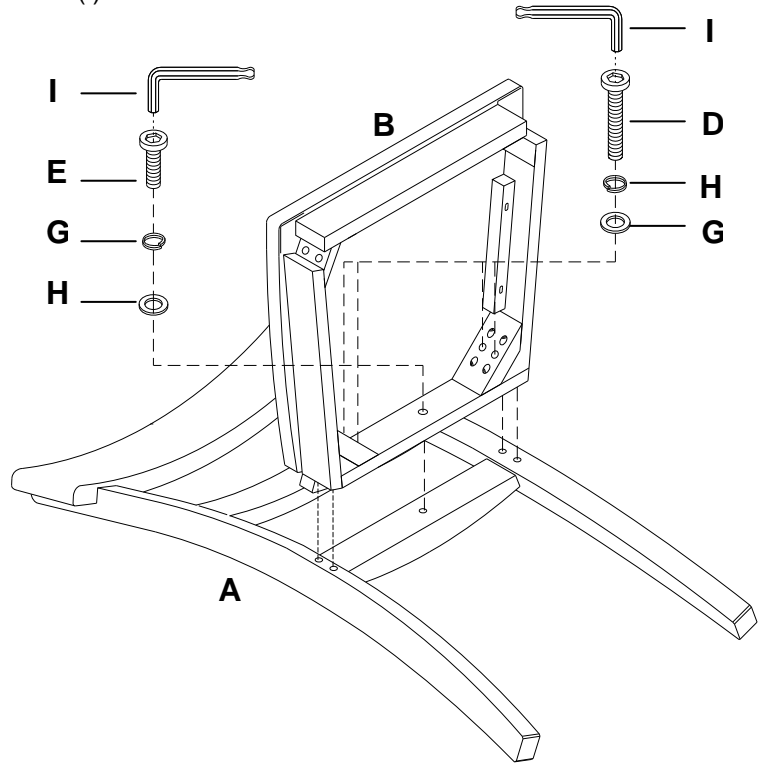
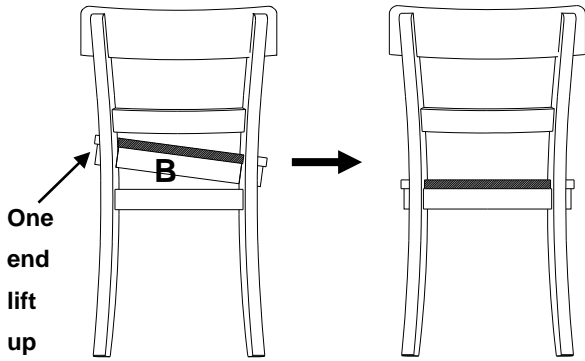
(I) Allen Wrench 5mm



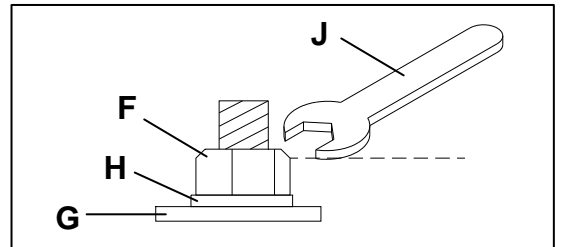
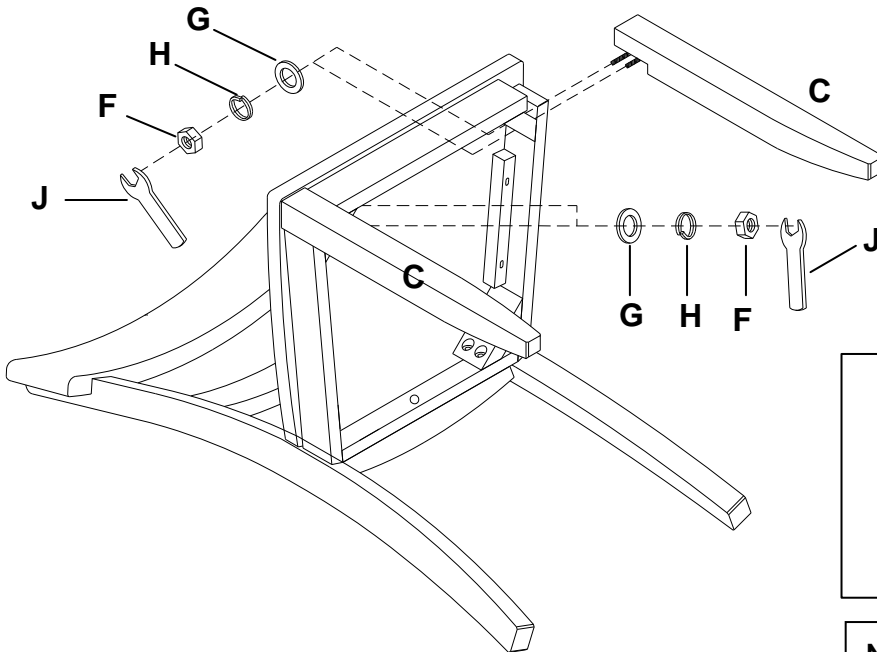
(J) Open Wrench

Assembly Instruction Steps:

1. Insert Chair Seat (B) into Chair Back (A) with one end lift up and slot into position as shown, insert Short Bolt (E), Spring Washer (G) and Flat Washer (H) through the middle hole of seat into chair back, tighten by hand at first, DO NOT tighten up.
2. Insert Long Bolt (D), Spring Washer (G) and Flat Washer (H) through the pre-drilled holes as shown, tighten by hand at first and then tighten all bolts with Allen Wrench (I).



3. Attach Front Leg (C) to the chair as shown, put Spring Washer (H) and Flat Washer (G) on the thread of front leg, screw on Nut (F) by hand and then tighten with Open Wrench (J).



NOTE: Slightly tilt the Open Wrench could avoid scratch and easy to tighten Nut.

Care Instructions:

- Dust often using a clean, soft, dry and lint-free cloth.
- Blot spills immediately and wipe with a clean, damp, cloth.
- We do not recommend the use of chemical cleansers, abrasives or furniture polish on our lacquered finish.
- Hardware may loosen over time. Periodically check to make sure all connections are tight. Re-tighten if necessary.

Thank you for your purchase
Stores | catalog
www.potterybarn.com