

P O T T E R Y B A R N

Hotel Medicine Cabinet Extra Large Espresso

The mounting hardware included with this item is meant for dry wall/stud mounting only. If your walls are made from something other than drywall or wood such as concrete, brick or plaster, please consult your local hardware store for assistance in selecting the appropriate hardware. This item includes a wood French cleat that is first mounted to a wall. The cabinet is then supported by this wall-mounted cleat. The cleat is secured to the wall using either expanding anchors and screws for drywall or just the screws if a mounting hole happens to align with a wall stud. Owing to the weight and size of this item, we recommend that two people work together to mount the item.

Important safety instructions:

Please read all instructions carefully before assembling. For your safety, assembly by two people is recommended.

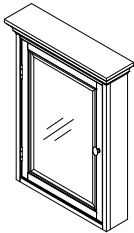
The maximum individual shelf weight capacity is 10lbs. Do not exceed the load capacity.

Tools Required (Not Included):

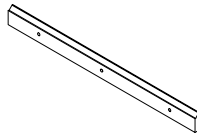
Stud Finder
Pencil
Tape Measure

Phillips Screwdriver
Level

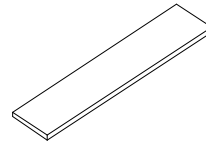
Parts Included:



Wooden Cabinet (1pc) - A



Wall Cleat (1pc) -B



Glass Shelf (4pcs) -C

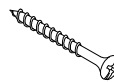
Hardware Included :



Shelf Support (16pcs) - a



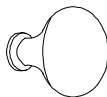
Rubber Pad (2pcs) - b



Toggle Screw (4pcs) -c



Toggle (2pcs) - d



Knob (4pcs) - e



Bolt (4pcs)-f

Removing Parts from Packaging:

Remove all parts and hardware from the box and lay them out on a clear workspace, along with any plastic protective packaging. Do not dispose of any contents until assembly is complete to avoid accidentally discarding small parts or hardware.

Mounting the Cabinet to the Wall:

1. Place a level on the cabinet and with the help of another person, position the cabinet against the wall at a desired location. Adjust the cabinet so that it is level and then use a pencil to mark the wall along the top surface. Set the cabinet aside so you have access to its rear surface.
2. The wall cleat may already be attached to the cabinet. If not, hold the wall cleat into engagement with the receiving cleat which is located about an inch below the top of the cabinet on the back. The wall cleat has a sharp edge that should face up and towards the front of the cabinet. Use the tape measure to measure the exact distance between the top of the cabinet and the bottom edge of the wall cleat. This is measurement "A".
3. Back at the wall, use the tape measure to make a line below the line you drew in step (1). Make this lower line so that it is spaced a distance equal to measurement "A". Use the level again just to make sure that this lower line is level.
4. Separate the wall cleat from the cabinet and hold it against the wall so that its bottom edge aligns with this lower line (the sharp edge of the cleat must be facing up and away from the wall). Hold the cleat in place and use a sharp pencil, or a screw to mark the wall through each of the holes located in the cleat. These marks are the insertion marks for the provided hardware.
5. The provided anchors are needed for drywall applications, but cannot penetrate into wall studs (wood). Therefore, we recommend that you use a stud finder to determine if any of the insertion marks align with a wall stud. If so, only a screw will be used at that mark. If not, then both an anchor and a screw will be used.
6. For marks that do not align with a wall-stud, use a screwdriver to engage an anchor and position the anchor tip against the wall at one of the insertion marks. Gently push the anchor into the wall as you rotate the anchor clockwise. Continue rotating until the large flange of the anchor is flush with the wall. Repeat this step with the other anchors and non-stud marks.
7. Hold the wall cleat against the wall so that the sharp edge is facing UP and AWAY FROM the wall, as shown in **Figure. 1** below. Use a screwdriver to secure a provided screw into each hole of the cleat and into either an awaiting installed anchor, or directly into the wall if the hole aligns with a wall stud. Rotate each screw clockwise until tight.

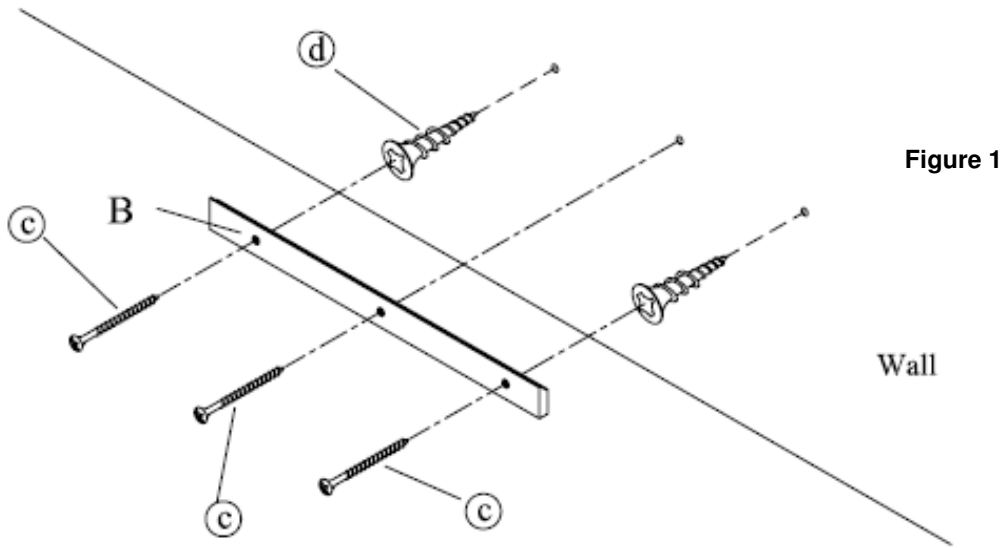
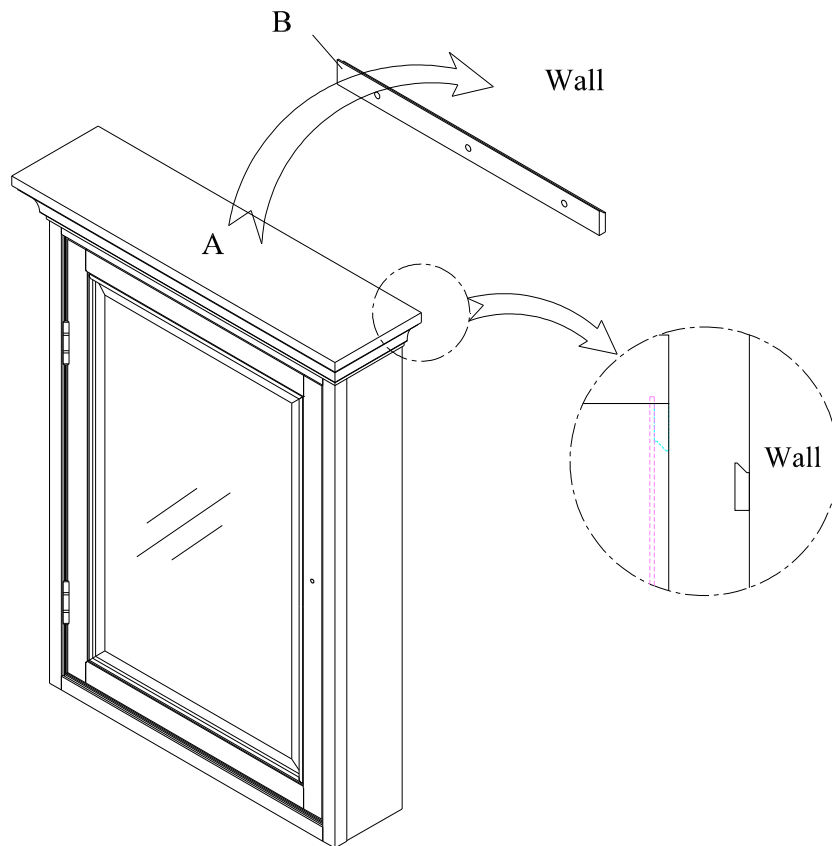


Figure 1

Hanging the Cabinet onto the Wall Cleat

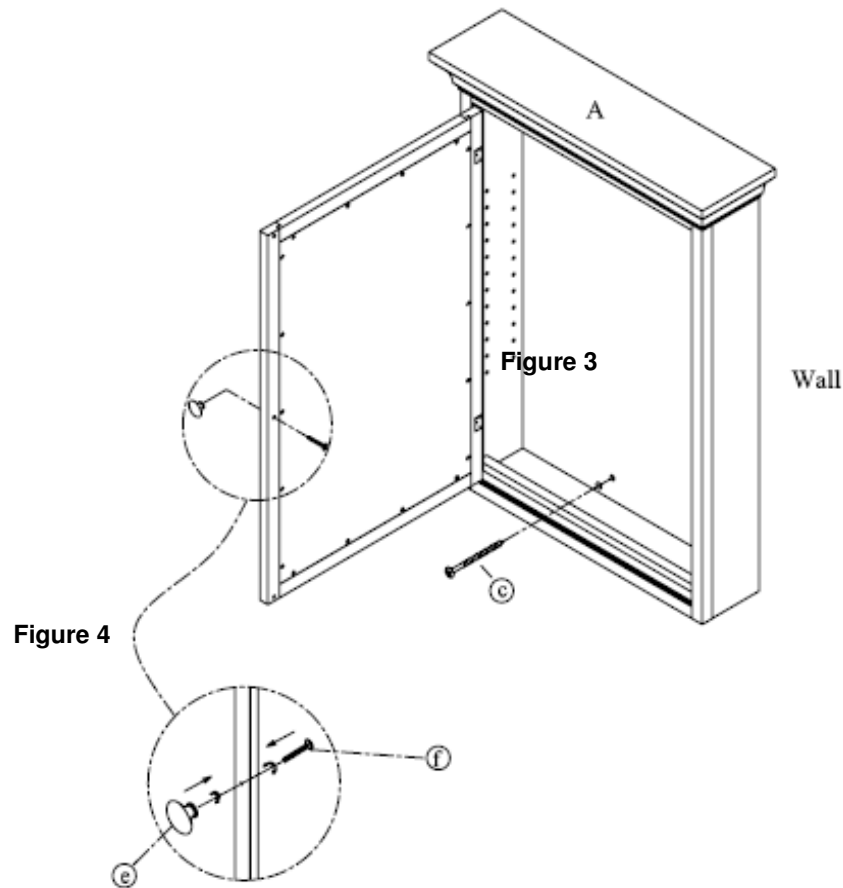
8. With the help of another person, lift the cabinet up against the wall to align the upper rear edge of the cabinet above the mounted wall cleat. Lower the cabinet to engage the two cleats so that the wall cleat fully supports the weight of the cabinet. While holding the cabinet, gently move it side to side to ensure that it is engaged with the wall cleat. See **Figure 2**.

Figure 2



Securing the Tie-Down Fastener and Installing the knob

- This item includes a tie-down fastener that prevents the cabinet from lifting off of the wall cleat. Although optional, we recommend that it be installed. To install this fastener, use a pencil or a long screw to mark the wall through the hole that is located inside the cabinet, just above the lowermost shelf surface. Once the mark is made, remove the cabinet from the wall and install an anchor at that mark (using step (6) above). Once the anchor is installed, return the cabinet to the wall so that the hole lines up with the anchor. Use a screwdriver to secure a screw through the hole of the cabinet and into the anchor. See **Figure 3**.
- Use a Phillips-head screwdriver to remove the pre-installed knob and reposition it on the outside of the door. You may be able to just spin the knob off using your hand (rotate the knob counter-clockwise) and also may retighten the knob just using your hand. Note: There are four knobs (e) and four bolts (f) included with this cabinet, one set of which is pre-attached to the cabinet. See **Figure 4**.

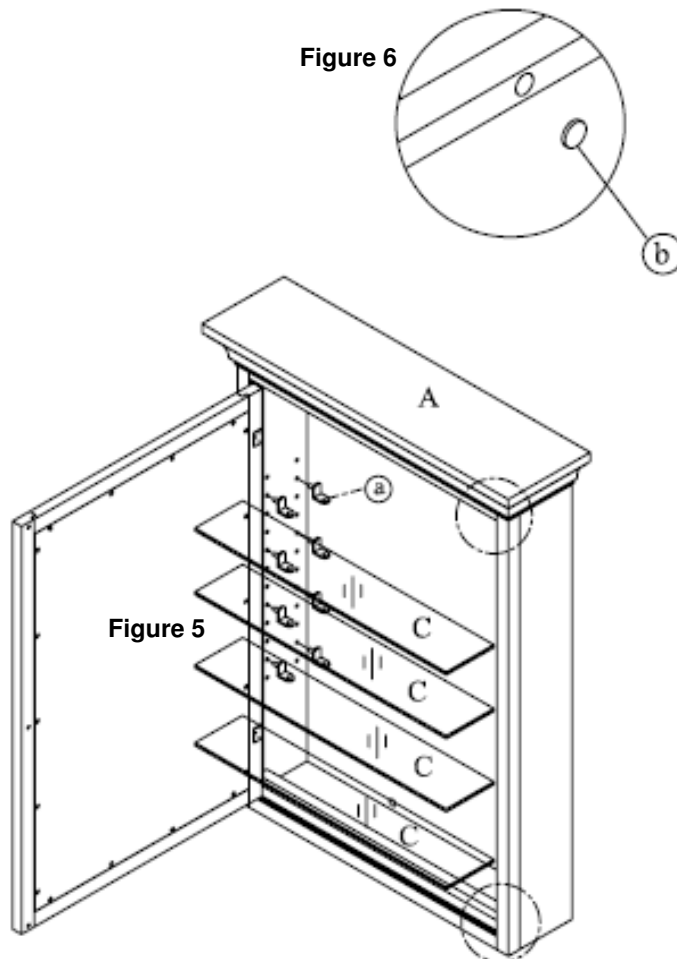


Installing the Glass Shelves:

- To install the shelves: For each shelf, insert four shelf supports (a) by pressing the pin portion of each into one of the pre-drilled holes located along the side walls of the interior of the cabinet. Count the holes from the top or bottom to ensure that each set of four supports are at the same height. Gently place a glass shelf (C) onto each set of four installed shelf supports. See **Figure 5**.

Installing the Rubber Bumpers

11. Attach the adhesive backed rubber bumper to each magnet along the perimeter as shown below. This will help dampen the noise of the door closing against the cabinet frame. See **Figure 6**.



Care Instructions:

- ◆Wipe cabinet with a soft, dry cloth.
- ◆To protect the finish, avoid the use of all chemical and household cleaners and abrasives as they may damage finish.