

P O T T E R Y B A R N

Hayden TP holder Mounting Instructions

Hardware (Included):

ONE Screw
ONE Anchor
ONE Allen wrench

The hardware included with this item is meant for drywall or stud mounting only. If your walls are made from concrete, brick or plaster, please consult your local hardware store for assistance in selecting the appropriate hardware.

Tools Required:

Phillips Screwdriver, Pencil, Stud Finder, Level

Parts Included:

ONE Mounting plate (Used to attach the mounting bracket to the wall)
ONE Hex screw (Used to secure the mounting bracket to the mounting plate)
ONE TP holder

Mounting and Assembly Instructions:

1. Align the bracket as shown in the illustration below.
2. You will notice that the mounting plate is shaped like a small cup and includes a sharp point on one side and a hole. Position the mounting plate into the large recess of the bracket so that the sharp pointed projection faces away from the TP holder and down (exactly at the 6 o'clock position). Use the provided Allen wrench to tighten the small set screw located at the bottom of the mounting bracket to secure the mounting plate firmly within the recess.
3. Hold the TP holder horizontally and against the wall at a desired mounting location so that the mounting plate is facing the wall (do not let the TP holder touch the wall yet). Have another person use a level to make sure that the TP holder is level (or just "eye" it) and then firmly press the mounting bracket against the wall so that the sharp projection of the mounting plate penetrates the soft drywall and leaves one detent mark.
4. Use the Allen wrench to remove the mounting plate. Hold the mounting plate against the wall so that the sharp projection fits within the marked detent and the hole of the plate resides at the 12 o'clock position. Use a pencil to mark the wall through the hole of the plate. The resulting pencil mark is the location for the hanging hardware.
5. The provided anchor cannot penetrate wood studs so we recommend that you use a stud-finder to determine if either pencil mark of Step (4) aligns with a wall stud. If so, hold the mounting plate against the wall so that the hole of the plate aligns with the pencil mark and the sharp projection of the plate is received into the detent mark formed in the wall and then use the screwdriver to install only a screw through the hole and directly into the wall and stud. Rotate the screw clockwise until the mounting plate is firmly secured to the wall.
6. For the pencil mark that does not align with a stud, use a Phillips screwdriver to install the provided anchor into the wall at the mark. The anchor protects the drywall and is meant to receive the screw after it is installed. Align the tip of the anchor at the mark and then use a screwdriver to push the anchor into the wall as you rotate it clockwise. The anchor will drive itself into the wall like a screw. Continue rotating until the wide end of the anchor becomes even with the wall.
7. Hold the mounting plate against the wall so that the hole aligns with the mark and the sharp projection of the plate is received into the detent mark formed in the wall and then use the

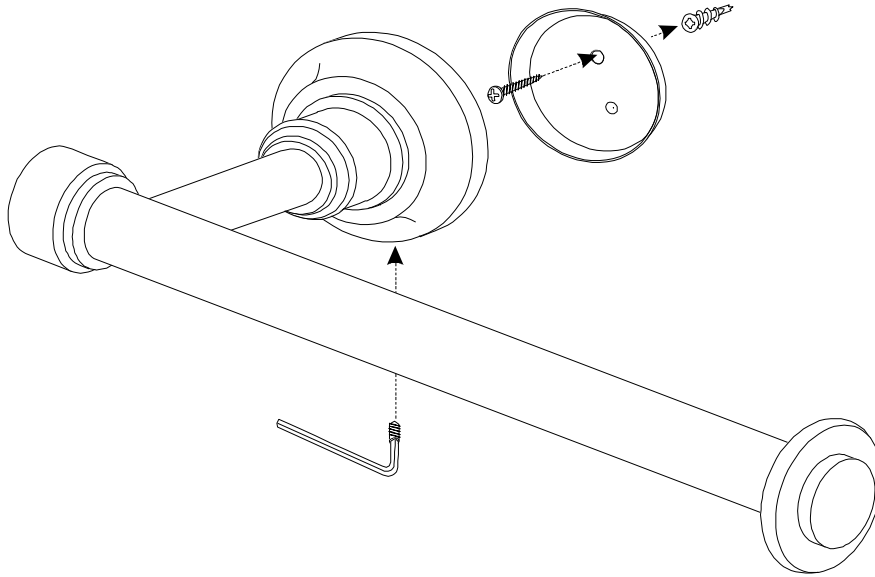
screwdriver to install a screw through the hole of the mounting plate and into the aligned and installed anchor. Rotate the screw clockwise until the mounting plate is firmly secured to the wall.

8. Return the TP holder to the wall so that the large recesses of the mounting bracket align with and is received by the wall-mounted mounting plate. Hold the TP holder firmly against the wall while you tighten the set screw using the Allen wrench. Rotate the set screw clockwise until tight.

Care Instructions:

Wipe with a soft, dry cloth.

To protect the finish, do not use household cleaners or abrasives.



Thank you for your purchase!