

# P O T T E R Y B A R N

## CLASSIC GLASS HUTCH

### Assembly Instructions

#### Important Safety Instructions:

- Please read all instructions carefully before assembling.
- For your safety, assembly by two people is recommended.
- The maximum individual shelf weight capacity is 20lbs. Do not exceed the load capacity to avoid damaging.

#### Parts Included:

- (2) Glass shelf (A)

#### Hardware Enclosed:

- (8+2) Shelf peg (b)
- (2) Bracket (c)
- (4) Flat head screw (d)

#### Pre-Assembly:

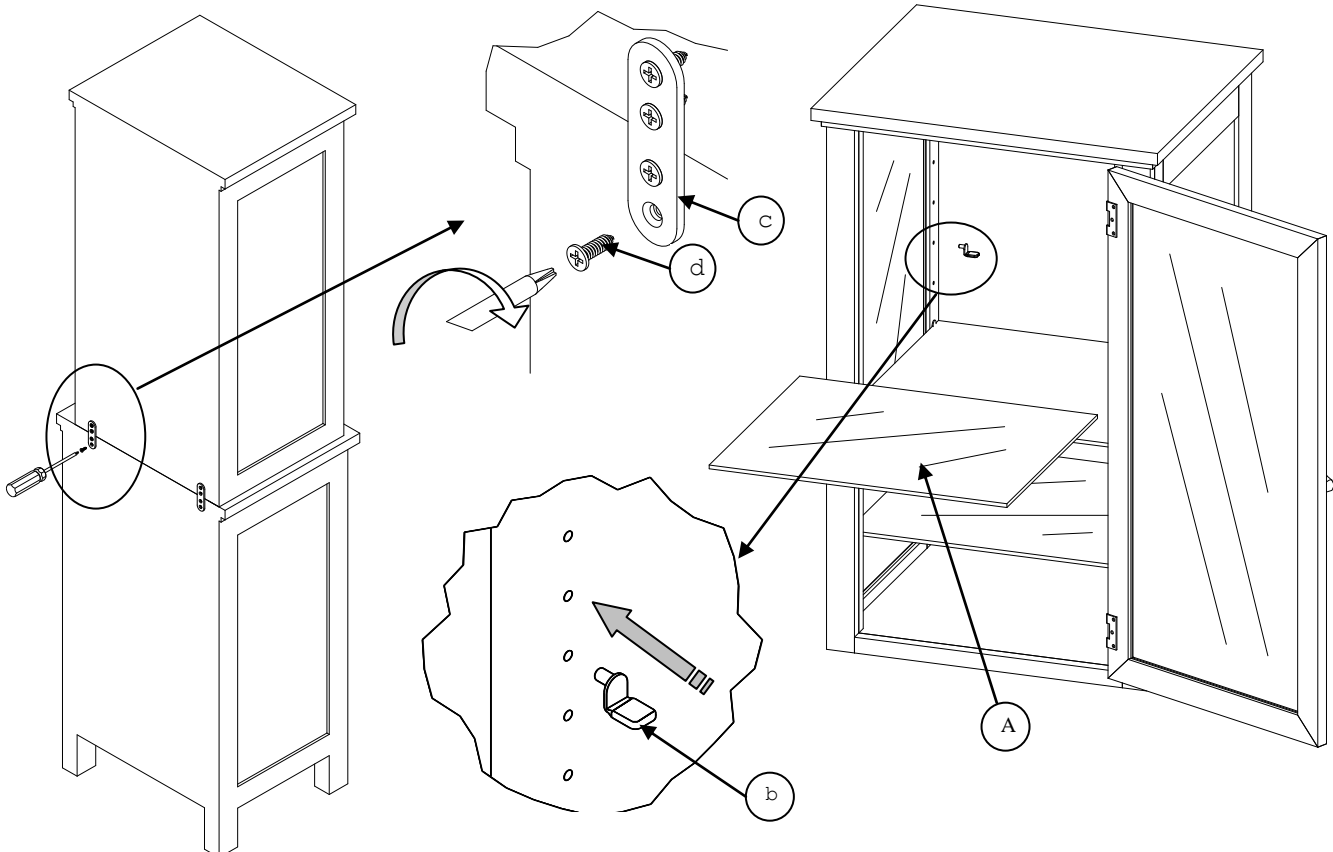
1. Remove all parts from the box and lay out on a clear carpeted or scratch-free work surface. (The shipping box provides an ideal work surface). This will avoid damaging any parts during assembly. Do not dispose of any contents until assembly is completed to avoid accidentally discarding small parts.
2. Use the parts lists above to identify and separate each of the pieces included.
3. The illustrations provided allow for easier assembly when used in conjunction with the assembly instructions.

#### Assembly Instructions:

1. Attach the Bracket (c) to the pre-drilled holes on the back of the glass hutch and base unit. Fasten with Flat head screw (d) using a screwdriver. (Figure 1)
2. Determine the desired level for the shelves. Fit the Shelf pegs (b) into the pre-drilled holes. (Figure 2)
3. Carefully insert the Glass shelves (A) into the glass hutch and gently rest onto the Shelf pegs. (Figure 2)

Figure 1

Figure 2



#### Care Instructions:

- Dust with a clean, soft cloth

- Avoid the use of chemicals and harsh cleaning agents

Thank you for your purchase  
stores | catalog | [www.potterybarn.com](http://www.potterybarn.com)