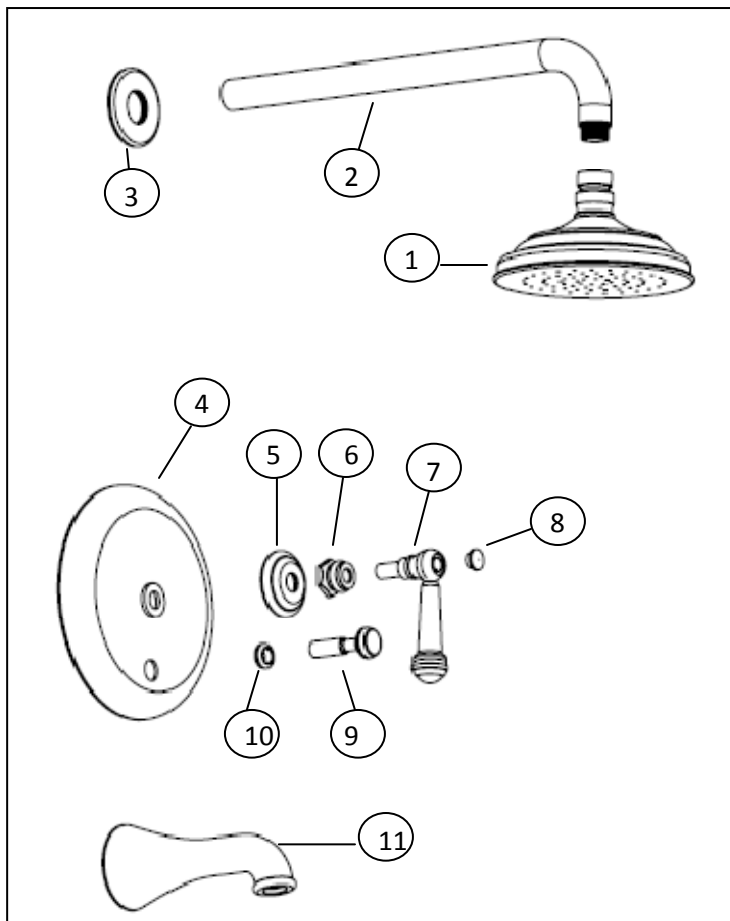


### FEATURES

- Diaphragm cartridge maintains water temperature within  $\pm 2^\circ$
- Compensates for water pressure fluctuations preventing scalding
- Flow rate: 6-7 gpm at 80 psi
- Solid brass construction
- Warranty:
  - Limited lifetime warranty (residential use)
  - One year (commercial use)
- Standard finishes:
  - polished chrome
  - satin nickel
  - polished nickel
  - antique bronze
- Listed by IAPMO, CSA, NSF, and other municipalities
- Shipping weight (lbs.): 10
- Shipping dimensions(in.): 15x12x9



Parts Checklist		
Carefully remove all parts from the box. The following parts should be included.		
	Description	Qty
1	Shower head	1
2	Shower arm	1
3	Shower arm flange	1
4	Faceplate	1
5	Escutcheon	1
6	Escutcheon hex nut	1
7	Handle	1
8	Handle cap	1
9	Diverter knob and post	1
10	Diverter gasket	1
11	Tub spout (for tub/shower sets only)	1

### IMPORTANT INSTALLATION INFORMATION

- USE TEFLON TAPE OR PIPE SEALANT FOR THREADED CONNECTIONS
- DO NOT USE PLUMBER'S PUTTY ON ANY OF THE BRASS COMPONENTS  
This will cause the finish to tarnish and void the warranty. A non-corrosive Alkoxy Silicone is recommended.
- DURING SWEATING OF LINES DO NOT OVERHEAT CASTING  
Overheating may cause damage to internal mechanism
- COPPER ADAPTORS MAY BE REQUIRED TO COMPLETE YOUR INSTALLATION

1. **Ensure valve is properly installed according to Installation Sheet provided with valve.**

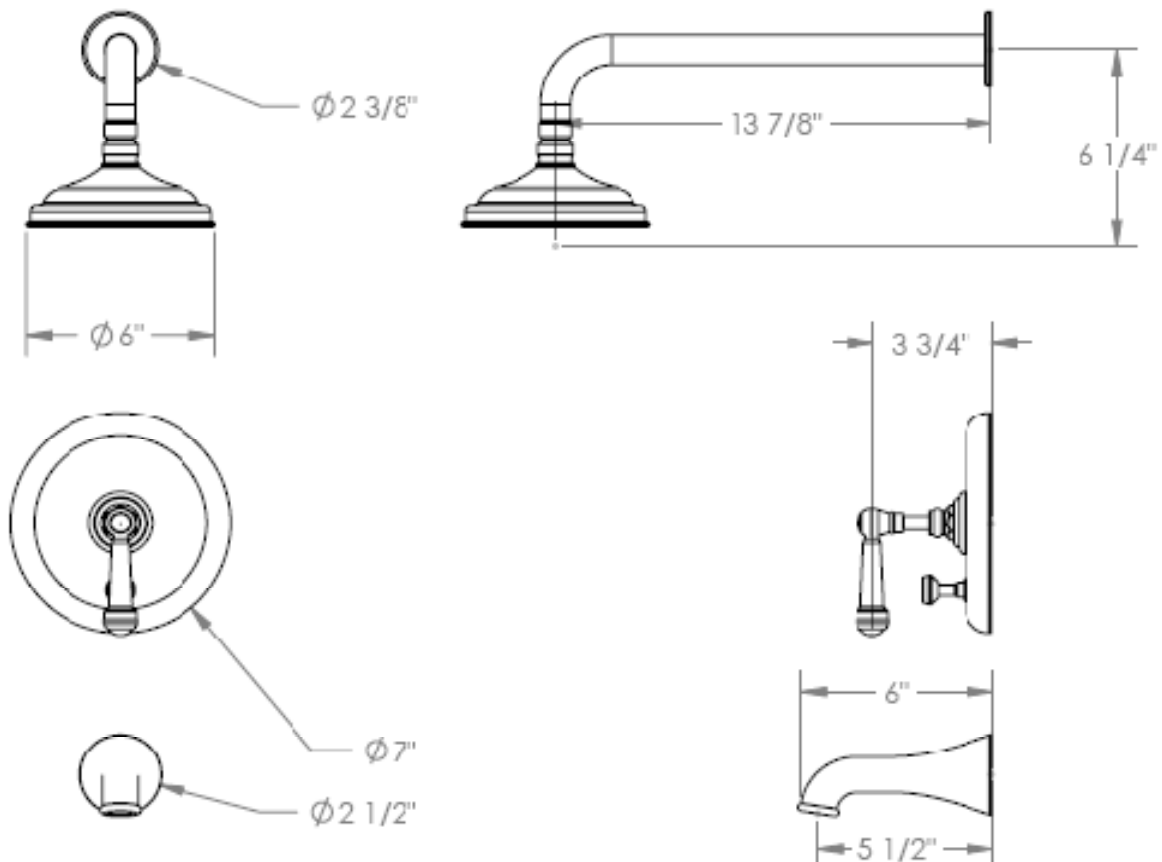
Note: Specification from finished wall to tip of broached stem is 3 1/8".

2. **Fit faceplate onto valve.**

Note: for tub/shower valves with diverter, screw diverter knob and post (9) onto diverter stem.

3. **Insert handle trim onto stem broach so that escutcheon (5) rests against faceplate (4) and slight clearance is left for handle (7) to rotate freely.**

Note: When fitting handle it may be necessary to shorten broach stem and/or threaded nipple to eliminate gap between handle and escutcheon.



For technical support, please call 1-888-779-5176