

# P O T T E R Y B A R N

## Anna Daybed Trundle

### *Pre-assembly:*

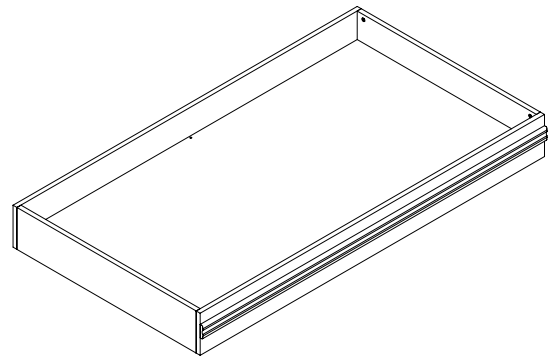
- Please read all instructions carefully before assembly.
- For your safety and ease, assembly by three people is recommended.
- Save all packing materials until assembly is complete to avoid accidentally discarding small parts or hardware.

### *Parts Included:*


- BOX - Trundle:
  - (2) Front side rail
  - (2) Back side rail
  - (1) Bottom Board

### Hardware included:

- A:(8) M6x37mm Cam Bolts 
- B:(8) 15mmx13mm Cam Locks 
- C:(2) 8mmx15mm Wooden Connector pin 
- D:(24) 6x16mm Pan head screws 
- E:(6) Swivel Casters 

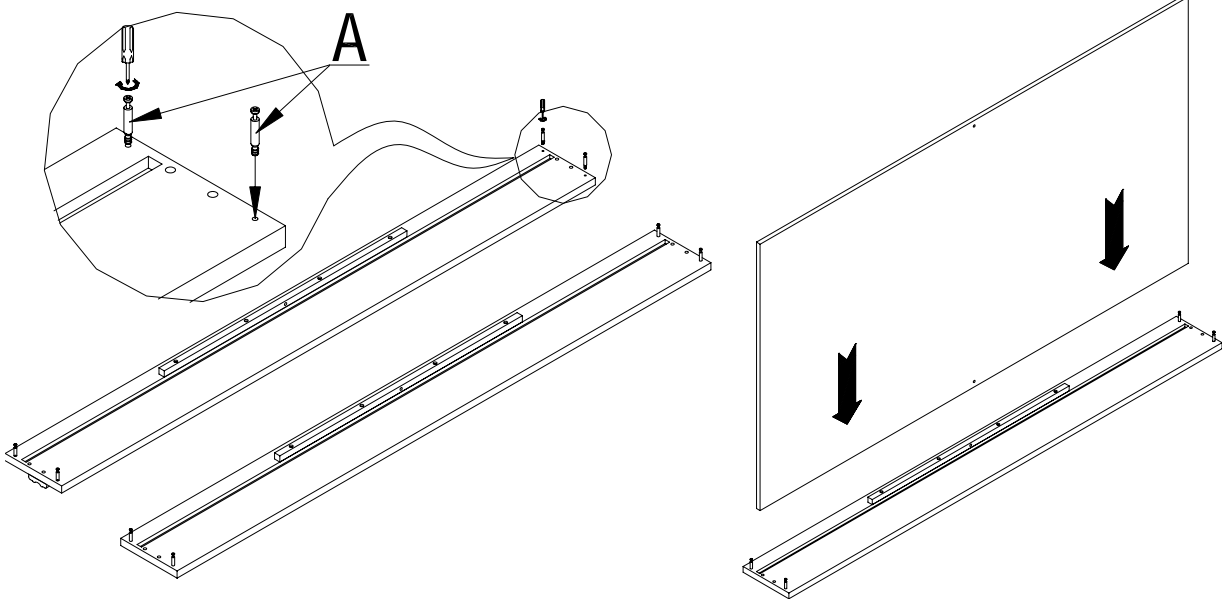


### *Tools Needed:*

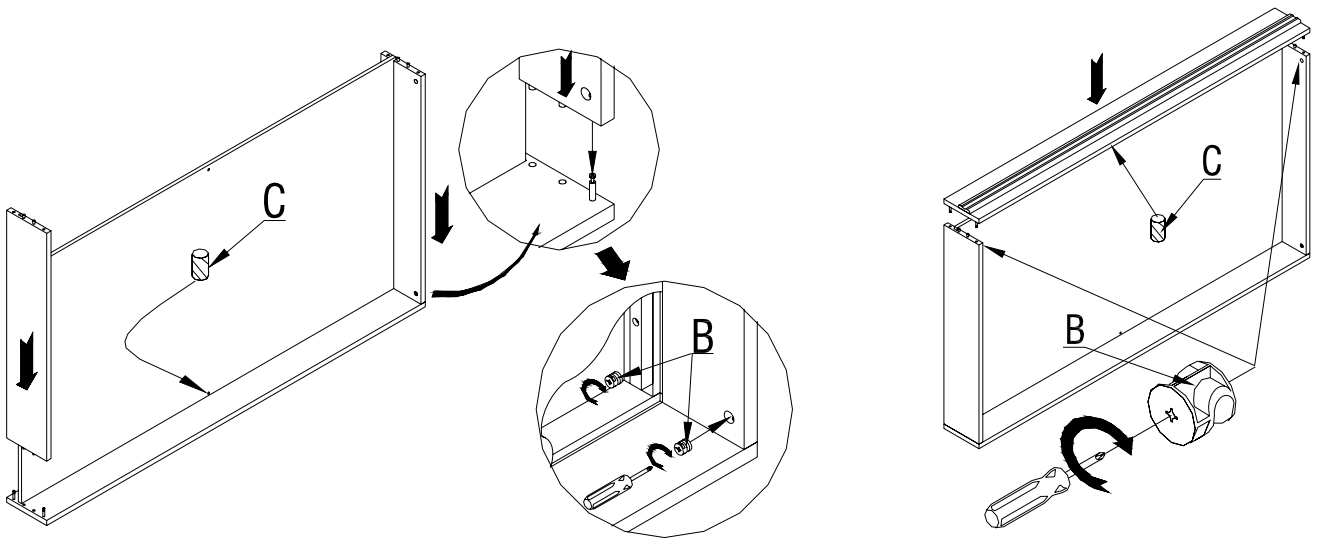
- Phillips screwdriver (not provided) 

### *Trundle Assembly Instructions:*

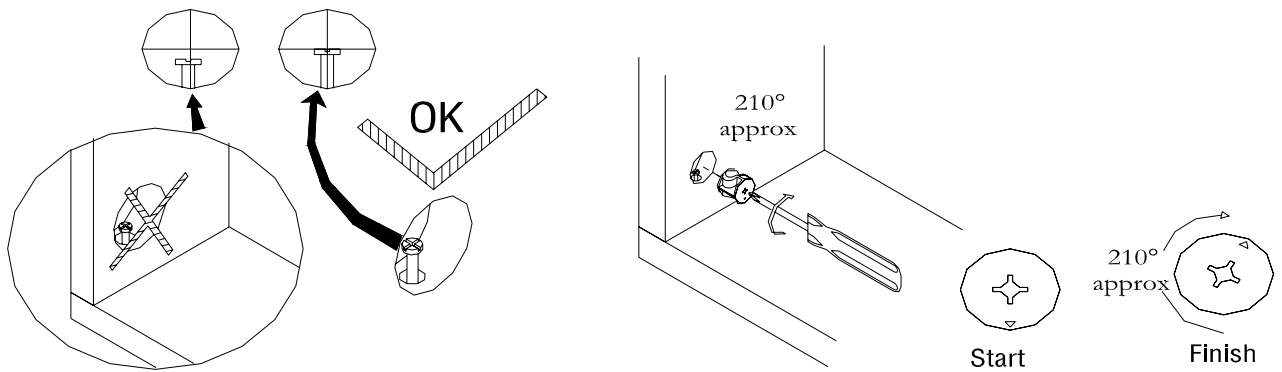
1. Screw (2) cam bolts (A) into each side of (1) long side rail.
2. Using (1) wooden connector pin (C), fasten (1) long side rail to the bottom board.



3. Insert (2) short side rails over the cam bolts sticking out of the long side rail.
4. Repeat step 2 with the remaining side of the long side rail.
5. Insert cam locks (B) into large pre-drilled holes on the interior of short side rail.

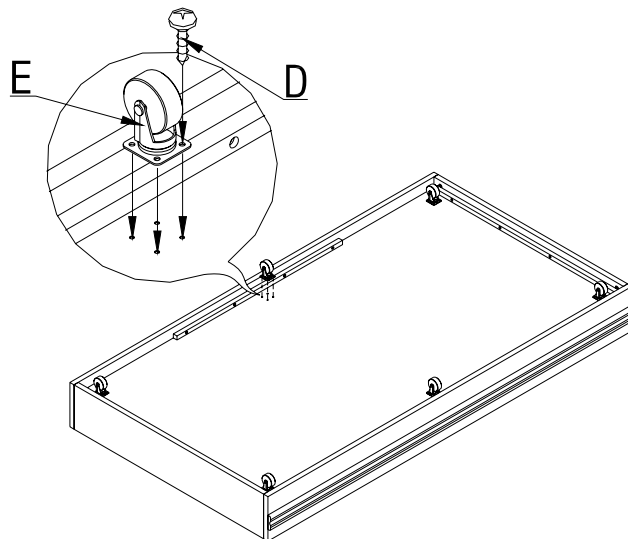


6. Turn the cam locks (B) clock-wise with a Phillips head screwdriver (approx. 210°).



7. Turn the assembly upside down and repeat step 6.

8. Fasten the casters to the bottom corners of the bottom board by aligning the pre-drilled holes, using (4) pan head screws (D) for each caster (E).



**Care Instructions:**

- Dust with a clean, soft cloth. Avoid the use of all abrasive cleaners.