

P O T T E R Y B A R N

Hotel Nickel Short Etagere Assembly Instructions

- Please read all instructions before assembly.
- Save all packing materials until assembly is complete to avoid the accidental discarding of smaller parts or hardware.
- Use the parts and hardware lists to identify and separate each of the components included.
- For your safety, assembly by two people is recommended.

Parts Included:

- (1) Top metal frame - with threads on the corner connections) (A)
- (2) Middle/Bottom metal frames - with through holes on the corner connections (B)
- (8) Long metal tubes -length 358mm (C)
- (4) Short metal tubes- length 148mm (D)
- (4) Metal feet (E)
- (4) Metal rods with 12mm thread (F)
- (4) Metal rods with 8mm thread (G)
- (3) Glass shelves (H)

Hardware Enclosed:

- (1) Allen key (I)
- (4) Bolts - 5/16"dia. X 1" (J)
- (4) Flat Washers - 5/16"dia. (K)
- (4) Plastic Caps (L)
- (4) Adjustable levelers (M)
- (12) Shelf pegs - 8.5mm dia. (N)

Assembly Instructions:

1. Carefully remove all parts and hardware from the box and lay out on a clear workspace. Place the top metal frame (A) upside down on a carpet or scratched-free surface. Insert the metal rods with 12mm thread (F) into the threaded holes on the corner of the metal frame. Turn the metal rods in the clockwise direction until tightened.
2. Gently put (4) long metal tubes (C) and a middle metal frame (B) down through the assembled metal rods. Note the water drill holes on the metal frame should be face up at the moment (Fig. 1).

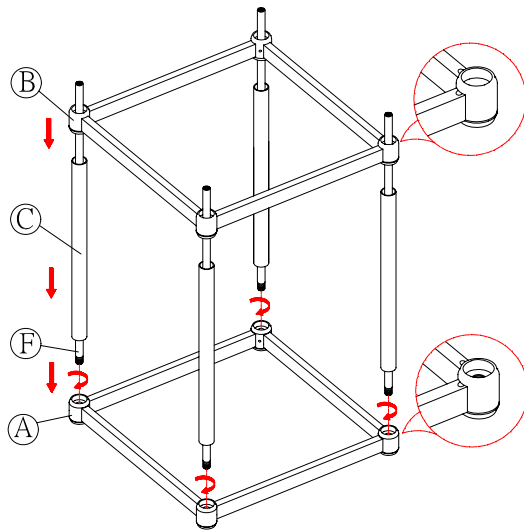


Fig. 1

3. Assemble the metal rods with 8mm thread (G) by inserting them to the ends of the assembled rods. Turn the rods in a clockwise direction until tightened. Repeat the steps with the other metal rods.
4. Gently put the long metal tubes and then the bottom metal frame (with the drill holes face up) into the assembled frame through the metal rods (Fig 2).

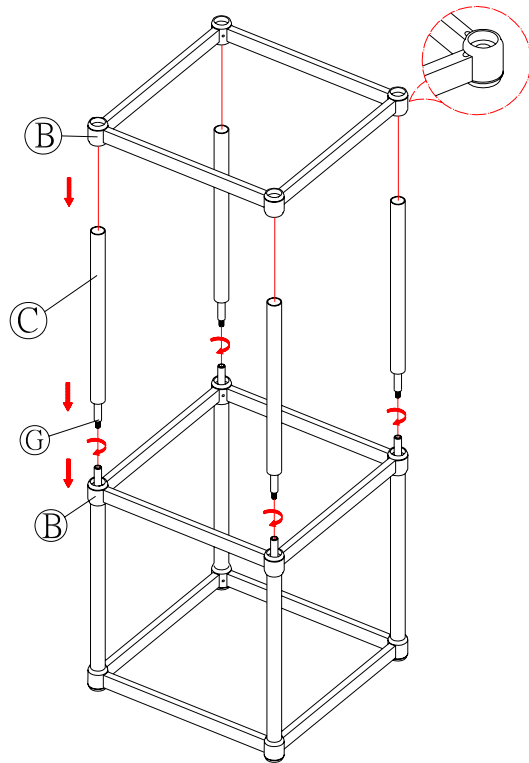


Fig. 2

5. Put the short metal tubes (D) to the metal rods on the end of the frame. Secure the metal feet (E) to the legs using the bolts (J) and the flat washers (K). Tighten with the enclosed Allen key (I).
6. Plug the plastic caps (L) into the end of the feet. Screw the adjustable levelers (M) into the plastic caps as shown (Fig. 3).

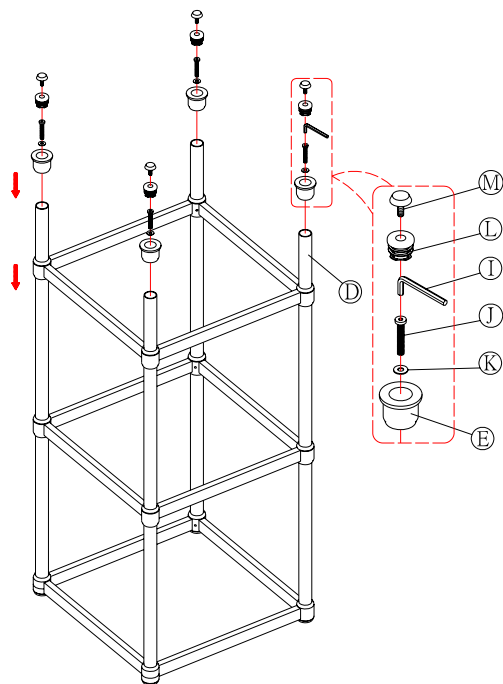


Fig. 3

7. Two people gently grasp the étagère and turn it to the upright position. Insert the shelf pegs (N) into the pre-drilled holes found in the four interior corners of the metal frames (Fig. 4).

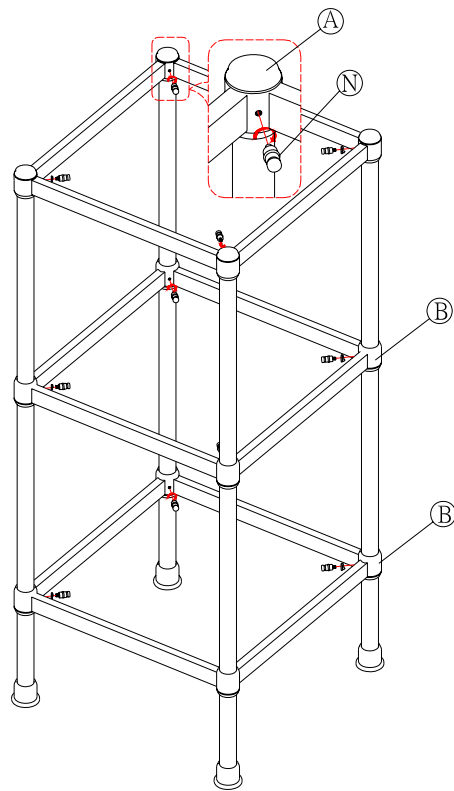


Fig. 4

8. Hold the glass shelves (H) in a slightly tilt angle and insert them to the frame. Gently rest the shelves onto the shelf pegs (Fig. 5).

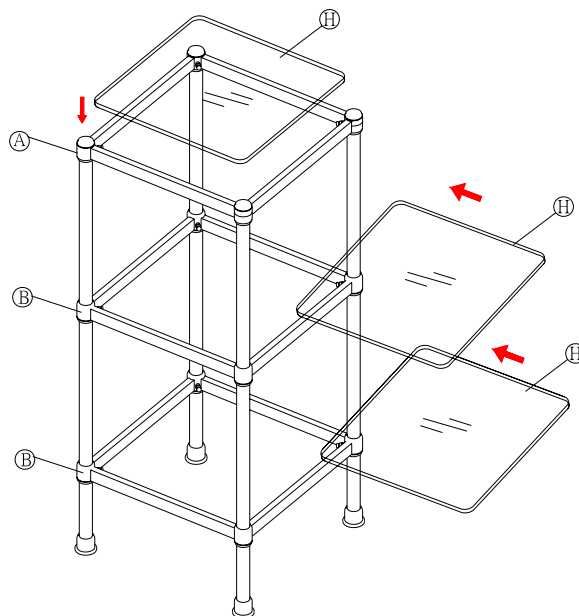


Fig. 5

9. If the floor is uneven, adjust the recessed levelers underneath the legs. To do this, carefully grasp one side of the étagère and elevate it slightly to provide access to the levelers. Turn the levelers until adequate contact is made with the floor. Carefully set the étagère down. Repeat until the étagère is level and stable (Fig. 6).

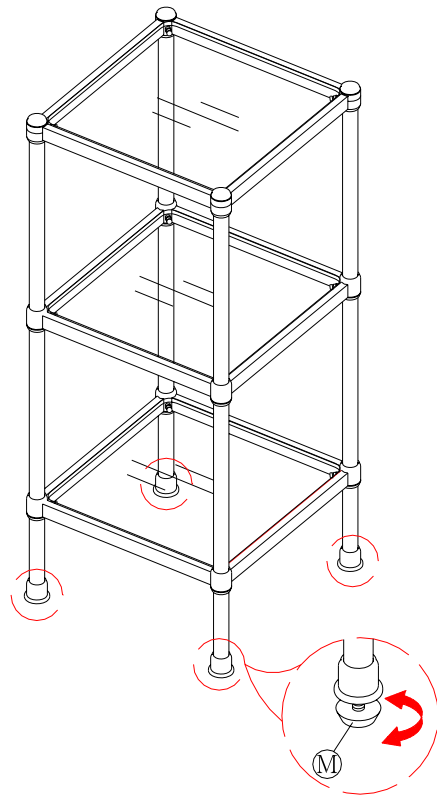


Fig. 6

10. Assembly is complete.

Care Instructions:

- Dust with a clean, soft damp cloth and wipe dry immediately
- Avoid the use of chemicals and harsh cleaning agents

thank you for your purchase
stores | catalog | www.potterybarn.com