

POTTERY BARN

Ashland Ring Assembly Instructions

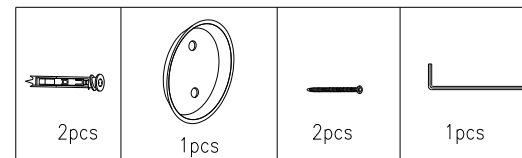
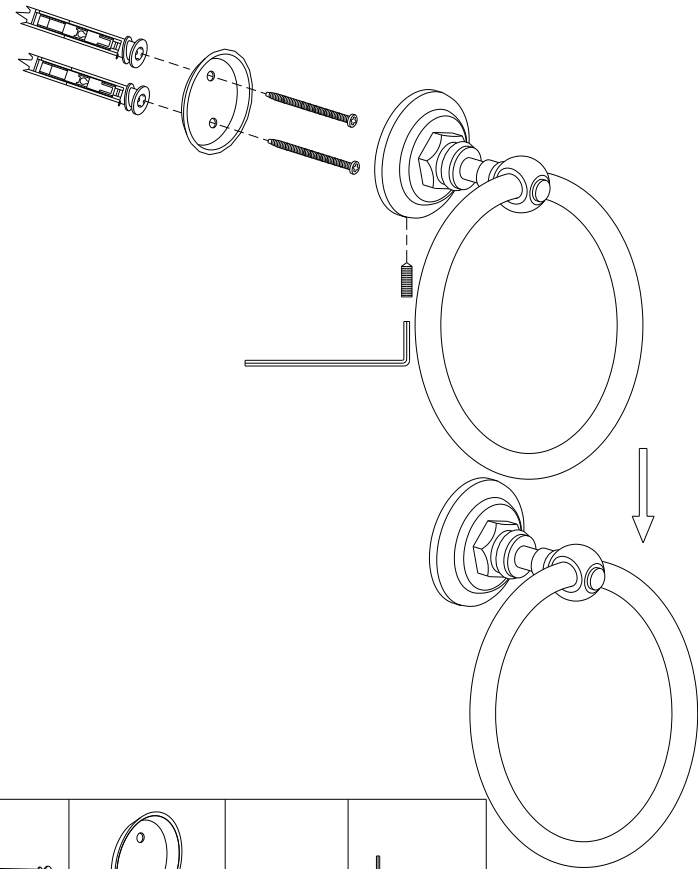
Note: For safe mounting, it is essential to use the proper hardware for your wall type. Be sure to consult your local hardware store to determine the hardware needed for your wall type (plaster, drywall, concrete, etc.). Mount to wood studs whenever possible. Use a stud finder to locate stud in desired shelf location. If the mounting plate locations align with stud, use provided stud mounting screws. If there is no stud, the toggle anchors/toggle screws are required.

Parts and Hardware Included:

2pcs	Toggle anchors Toggle screws (for dry wall only)	1pc	Towel ring
2pcs		1pc	Allen wrench
1pc	Mounting Plate	2pcs	Stud mounting screws

Mounting Instructions:

1. Hold mounting plate at desired location. With a pencil, mark on the wall the screw hole location. These marks will be used to determine the location of your mounting hardware.
2. Remove mounting plate. Use a carpenter's level or measure up from the floor at each mark to ensure towel ring will be level.
3. Use a Phillips screwdriver to insert the toggle anchors. Do not "push" or drive the anchor into the wall, it is designed to bore into the wall like a drill bit. Slowly turn the anchor clockwise while applying pressure until the flange just touches the wall. Keep turning clockwise until one of the arrows on the flange is pointing to the 12 o'clock position.
4. Insert the toggle screw into the toggle anchor turning clockwise. At this point, you will feel a slight resistance. This is the point where the toggle screw is engaging the pivoting portion of the anchor. Keep turning screw clockwise until the screw head touches the flange. Tighten the screw until it becomes difficult to turn. At this point the internal pivot will have engaged the backside of the dry wall. Remove the anchor screw turning counter-clockwise.
5. Align the mounting plate over the anchors, and re-insert toggle screws with Phillips screwdriver until tight.
6. Place towel ring onto mounting plate, tighten pre-assembled hex screw with Allen wrench.



Note: Do not load more than 10lbs on towel ring.

Care Instructions:

Wipe with a soft, dry cloth. To protect the finish, do not use household cleaners or abrasives.

thank you for your purchase
stores | catalog | www.potterybarn.com