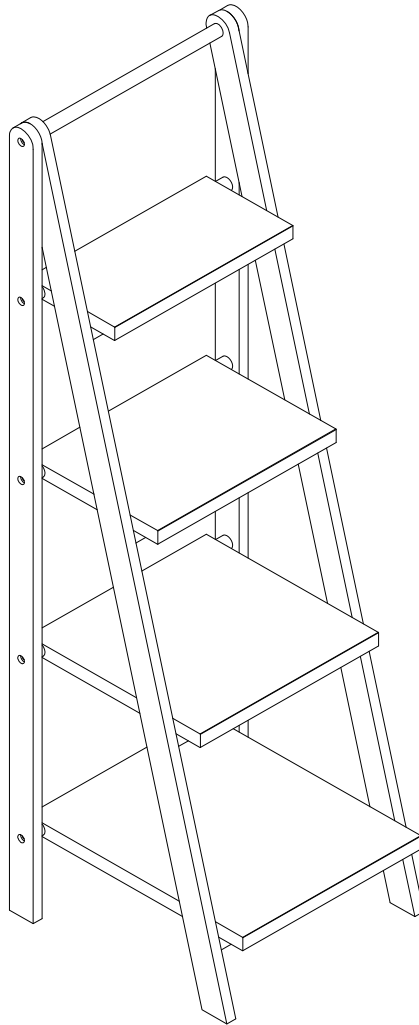


POTTERY BARN



AINSLEY BATH LADDER

Important Safety Instructions:

- Please read all instructions carefully before assembling.
- For your safety, assembly by two or more adults is strongly recommended.
- Keep instructions for future use.
- Use only vendor supplied hardware to assemble. Using unauthorized hardware could jeopardize the structural integrity of the item.
- **Maximum weight capacity is 40 pounds (18 kg) per each layer. Do not exceed the load capacity.**

Pre-assembly:

- Remove all parts and hardware from the box and lay out on a clear carpeted or scratch-free work surface, as this will avoid damaging parts during assembly. The shipping box provides an ideal work surface.
- Do not dispose of any packaging or contents of the shipping carton until assembly is completed to avoid accidentally discarding small parts or hardware.
- Use the parts and hardware lists below to identify and separate each of the pieces included.
- The illustrations provided allow for easier assembly when used in conjunction with the assembly instructions.
- The use of power tools to aid in assembly is not recommended. Power tools can damage hardware and split wood.



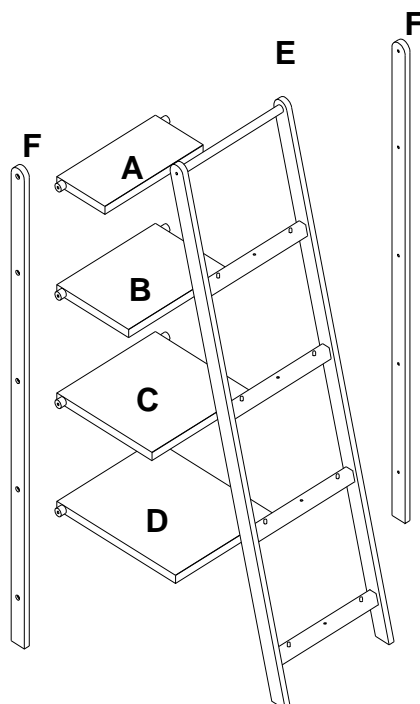
WARNING: This is not a real ladder, DO NOT climbing!



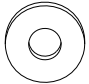

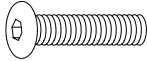
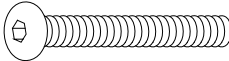
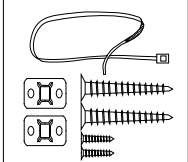
NO CLIMBING!

Parts Included:

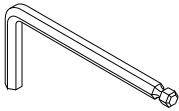
(A)	1st Layer	1x
(B)	2nd Layer	1x
(C)	3rd Layer	1x
(D)	4th Layer	1x
(E)	Front Frame	1x
(F)	Rear Leg	2x



Hardware Included:

<p>(G) Flat Washer</p>  <p>Dia. 1/4" 14x</p>	<p>(H) Spring Washer</p>  <p>Dia. 1/4" 14x</p>	<p>(J) Short Bolt</p>  <p>Dia. 1/4"x1-1/2" 4x</p>	<p>(K) Long Bolt</p>  <p>Dia. 1/4" x 2-1/2" 10x</p>	<p>Anti-tip Kit</p> 
---	---	--	---	---

Tools Required (included):

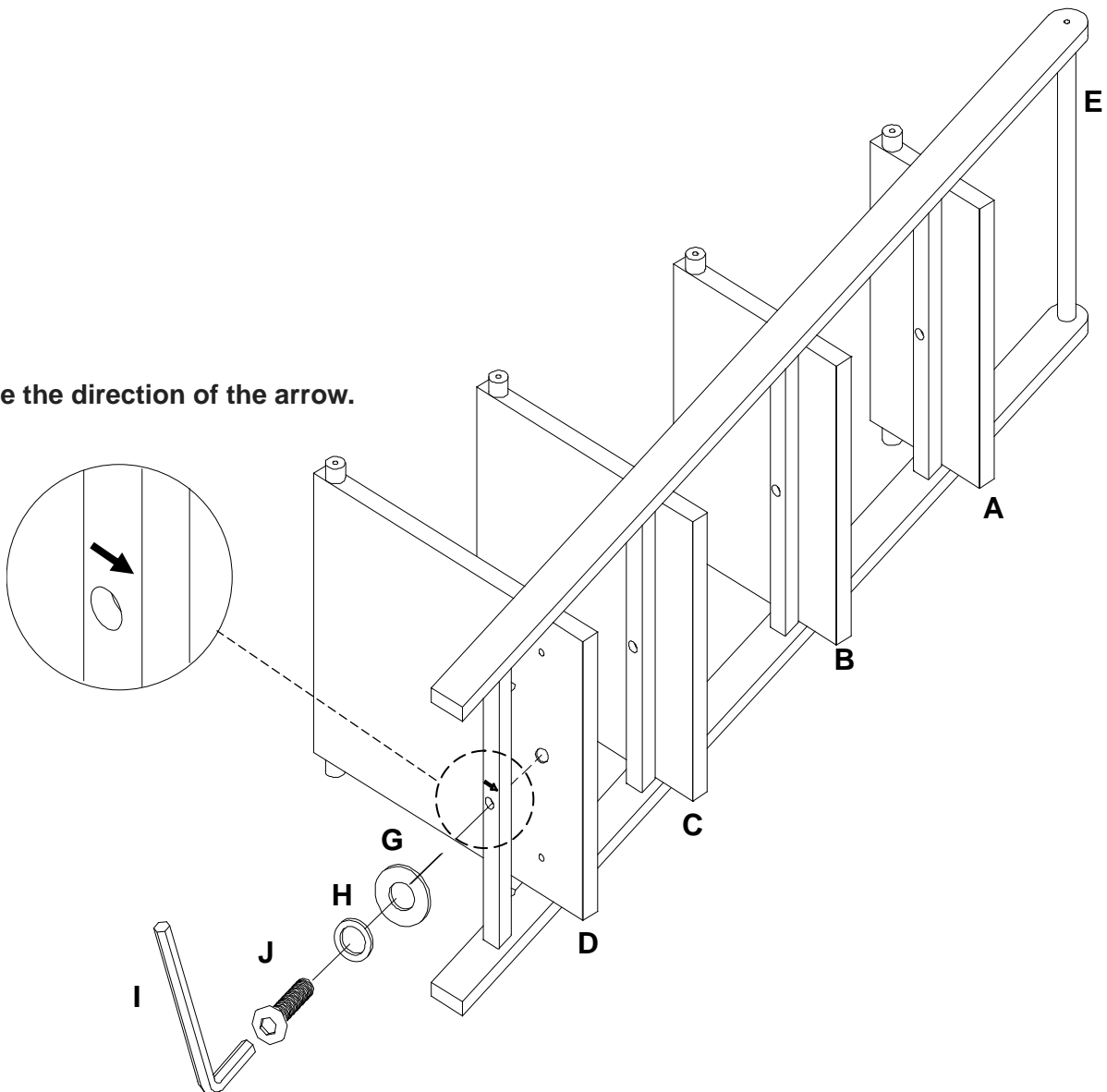


(I) Allen Wrench

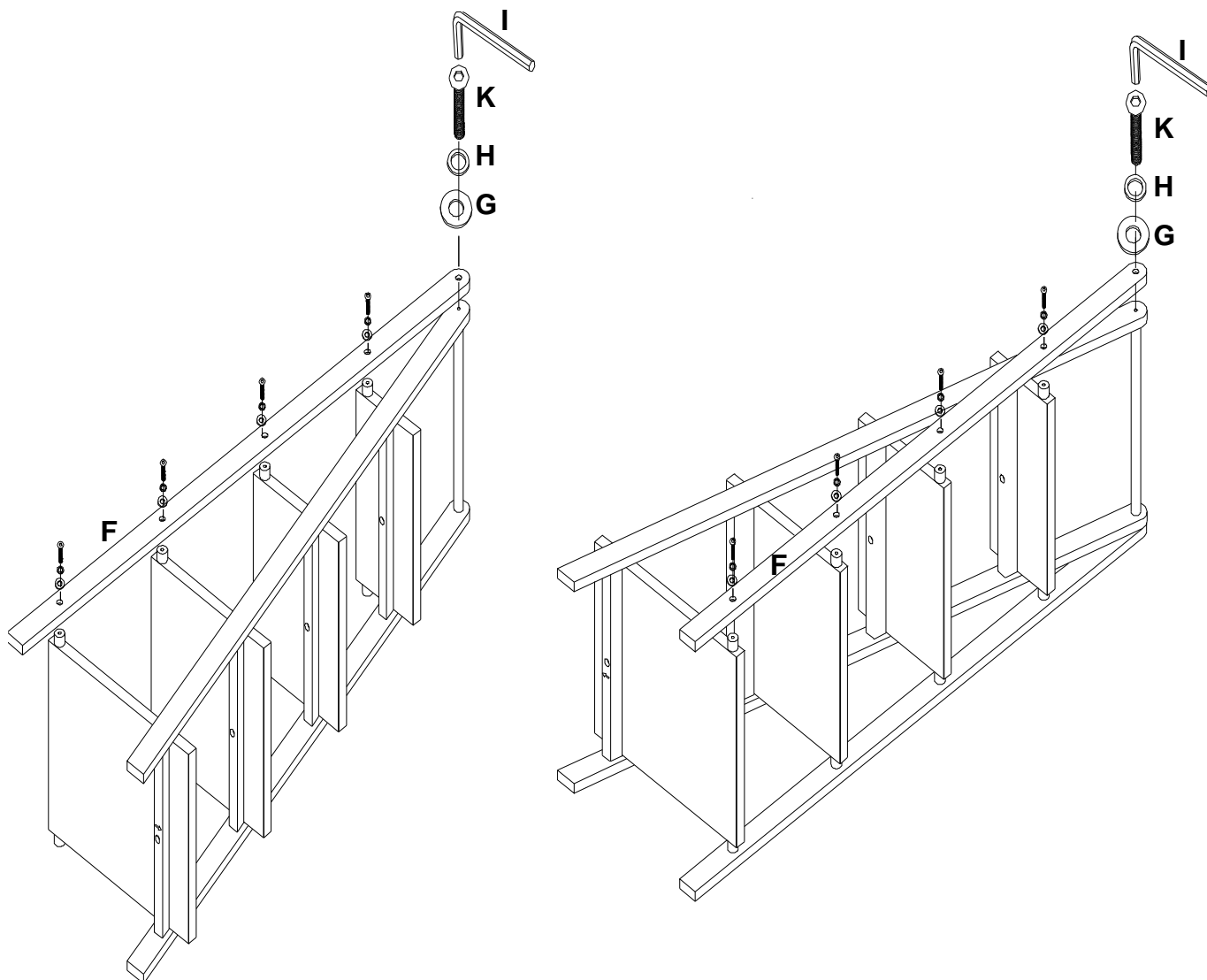
Assembly Instruction Steps:

1. Attach 1st Layer (A) to the Front Frame (E) as shown, insert Short Bolt (J) thru Spring Washer (H) and Flat Washer (G), and tighten with Allen Wrench (I). Repeat the step to other Layers (B) and (C) and (D).

Note the direction of the arrow.



2. Attach the Rear Leg (F) to the layers and insert Long Bolt (K) thru Spring Washer (H) and Flat Washer (G), tighten with Allen Wrench (I). Repeat the step for another Rear Leg (F). Carefully turn the ladder upright. Assembly is complete!



NOTE: USE THE ANTI-TIP KIT PROVIDED TO SAFELY SECURE YOUR PRODUCT(S). FOLLOW THE INSTRUCTIONS PROVIDED TO PREVENT SERIOUS INJURY FROM TIPPING FURNITURE.

Care Instructions:

- Dust often using a clean, soft, dry and lint-free cloth.
- Blot spills immediately and wipe with a clean, damp, cloth.
- We do not recommend the use of chemical cleansers, abrasives or furniture polish on our lacquered finish.
- Hardware may loosen over time. Periodically check to make sure all connections are tight. Re-tighten if necessary.

Thank you for your purchase
Stores | catalog

FURNITURE TIPPING RESTRAINT

WARNING: This product is only a deterrent. It is not a substitute for proper adult supervision. Manufacturer assumes no liability for improper installation or excessive loads placed on screws, brackets or straps.

Young children may be injured by tipping furniture and the use of a tipping restraint is highly recommended.

When properly installed, this restraint will provide protection against tipping of furniture. This tipping restraint **MUST** be secured to a wall-stud or wall structure of similar strength.

Hardware included:

(2) Brackets (1) Nylon Strap (2) Stud Mounting Screws

Note: For safe mounting it is essential to use the proper hardware for your wall type. The included hardware is for drywall or stud mounting only. For other wall types (e.g., plaster, concrete and brick) please consult your local hardware store for fastener advice.

To install:

1) LOCATING THE STUDS: Use a stud finder to locate the vertical wooden studs within your wall located behind the final position of the furniture item. Mark the stud locations with a light pencil-mark.

2) MOUNTING THE WALL-SIDE BRACKET: Position the bracket along the selected stud mark so that it will be adjacent the ladder top rail when the ladder is moved to its final position. The bracket should be about TWO inches lower than the top rail. Use the TWO Stud Mounting Screws to secure the bracket to the wall. Remember to position the bracket vertically so that both screws will engage the selected wall stud

3) ATTACHING THE STRAP: When bracket is securely attached, move the ladder to its final desired position and thread the strap through the bracket and top rail as shown. Tighten the strap until several “clicks” are heard. The furniture item is now securely tethered to the wall.

Note: If you must move the furniture item, you can release the strap by depressing the lever arm located at its buckle and simultaneously withdrawing the strap from the buckle. Make sure to reconnect the strap once the furniture item is returned to its previous position.

