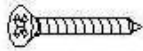


POTTERY BARN

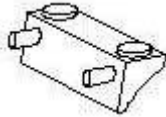
Hardware Included:



Toggle Screw(A)

Toggle Anchor(B)

Small screw(C)



Small Anchor (D)

Plastic cap(E)

Shelf Bracket (F)



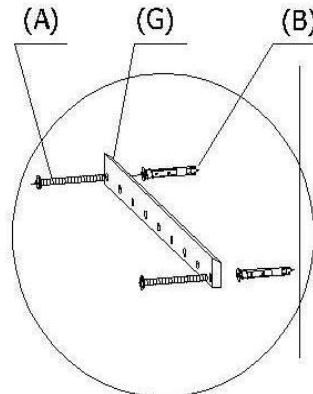
French cleat (G)

- 1pc



Stud mounting screw (H)

- 2pcs



WALL

illustration1

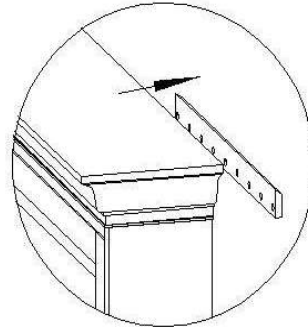


Illustration2

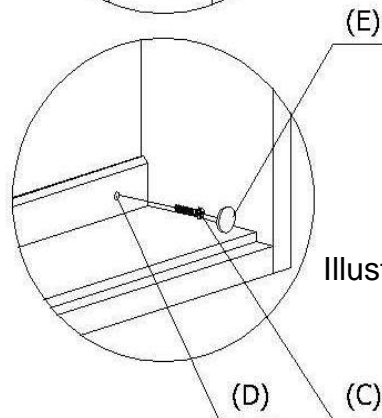
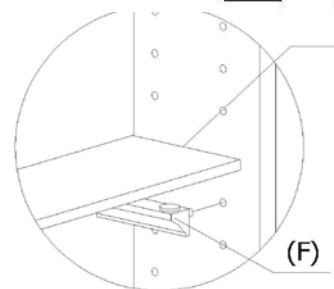


Illustration3



Shelf

Illustration4

Care Instructions:

Wipe cabinet with a soft, dry cloth. Avoid cleaners and abrasives as they may damage finish, Use a small amount of glass cleaner and a soft cloth to clean glass shelves.

thank you for your purchase

P O T T E R Y B A R N

hampton medicine cabinet

This hanging system is meant for dry wall/stud mounting only. If walls are concrete, brick or plaster please consult your local hardware store for assistance. For safety and ease of mounting, installation is recommended using two people.

Note: Mount to wood studs whenever possible. Use a stud finder to locate stud in desired mounting position. If mounting locations align with stud, use stud mounting screws. If there is no stud, toggle screws should be used.

Hardware Included:

- (1) French cleat
- (2) Glass shelves
- (4) Shelf brackets
- (2) Toggle Anchors and (2) Toggle Screws (for dry wall only)
- (2) Stud mounting screws
- (2) Small Anchor, (2) Small Screw, (2) plastic caps

Mounting Instructions **(Dry Wall Mounting)**:

1. Place the template (provided) at a desired location as a guide. Use a carpenter's level to ensure that cabinet will be level. The two marked holes on the template will be the insertion point of your mounting hardware.
2. Place a #2 Phillips screwdriver into recess of the toggle anchor (B). Do not "push" the anchor, it is designed to bore into the wall like a drill bit. Slowly turn the anchor clockwise while applying pressure until the flange just touches the wall. Keep turning clockwise until one arrow on head points to the 12 o'clock position.
3. Place the french cleat (G) on the wall, align the end holes with the toggle anchors. Insert toggle screw (A) through the french cleat, screw into toggle anchor turning clockwise. You will feel a slight resistance. Continue turning screw until the screw head touches the anchors flange. Tighten screw until it becomes difficult to turn. At this point the internal pivot will have engaged the backside of the dry wall. (see illustration 1)
4. Align the slot at the back of cabinet over the french cleat and slide cabinet down until the slot rests on the french cleat. (see illustration 2)
5. With a pencil, mark on the wall through the location of the lower mounting points.
6. Take away the cabinet, use the marked point as the insertion points of the small anchor (D). Place the #2 Philips screwdriver into recess of the anchor. Slowly turn the anchor clockwise while applying pressure until the flange just touches the wall.
7. Again, align the slot on the back of s over the french cleat and slide cabinet down until the slot rests on the French cleat. Insert small screw (C) through the pre-drilled holes inside the cabinet. Tighten against wall. Cover the screw heads with plastic plug (E). (see illustration 3)

Mounting Instructions **(Stud Mounting)**:

1. Place the french cleat (G) at the desired location. Use a carpenter's level to ensure that cabinet will be level. Insert stud mounting screws (H) into the two end holes of the french cleat, tighten using Phillips screwdriver or drill.
2. Follow step 4 to step 7 as above.

Shelf Installations:

Insert shelf bracket (F) into coordinating holes at desired level. Align the bottom slots of each glass shelf with the corresponding holes. Push down to secure. (see illustration 4)