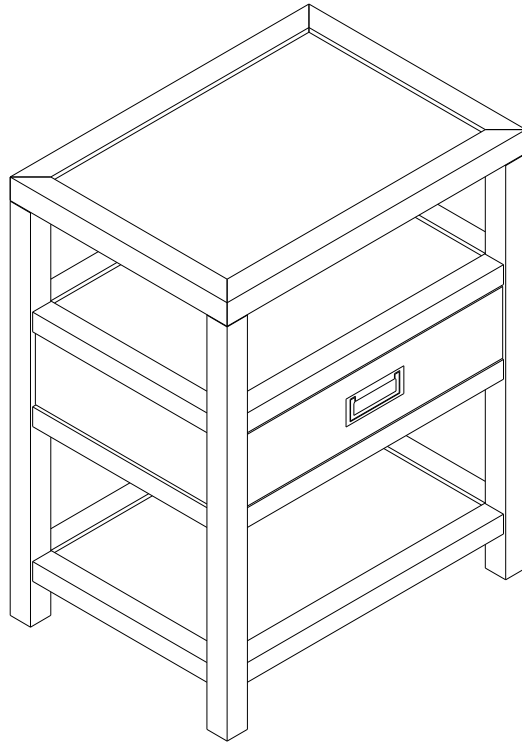


# POTTERYBARN

## Lonny Bedside

### ASSEMBLY INSTRUCTIONS



Date: 2014-Oct-17

Rev:

[www.potterybarn.com](http://www.potterybarn.com)

### IMPORTANT SAFETY INSTRUCTIONS:

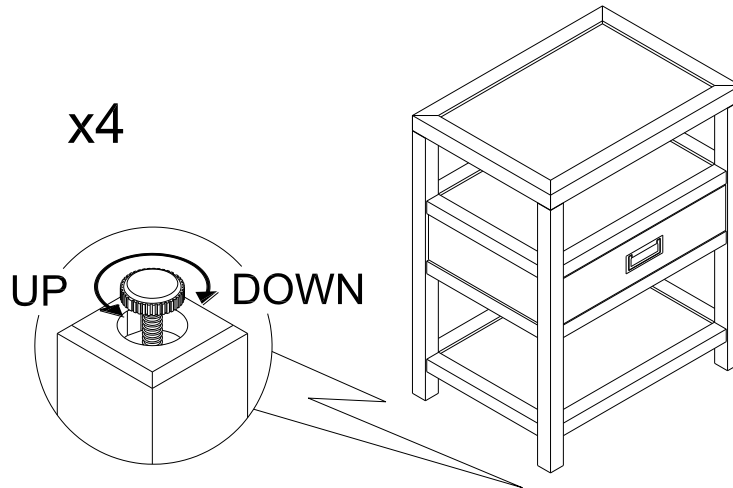
- Please read all instruction carefully before assembling.
- For your safety, assembly by two or more adults is strongly recommended.
- Keep instructions for future use.
- Use only vendor supplied hardware to assembly. Using unauthorized hardware could jeopardize the structural integrity of the item.

### PRE- ASSEMBLY:

- Remove all parts and hardware from the box and place them on a carpeted or scratch-free work surface. The shipping box provides an ideal work surface.
- To avoid accidentally discarding small parts or hardware, please do not dispose of any contents until assembly is complete.
- Two people are recommended for your safety and ease of assembly.
- Prior to starting assembly, use the parts and hardware lists to identify and separate each of the pieces included.
- The illustrations provided allow for easier assembly when used in conjunction with the assembly instructions.
- Note: Do not fully tighten any bolts until all parts are in place. Failure to follow these instructions may cause the bolts to misalign during assembly.
- Please use caution if using power tools to aid in assembly. Power tools can damage hardware or split the wood.

### ASSEMBLY INSTRUCTION STEPS:

1. If the Bedside doesn't sit level, adjust the levelers underneath the base.



2. Assembly is complete.

### Care Instructions:

- Dust often using a clean, soft, dry and lint-free cloth.
- Blot spills immediately and wipe with a clean, damp, cloth.
- We do not recommend the use of chemical cleansers, abrasives or furniture polish on our lacquered finish.
- Hardware may loosen over time. Periodically check to make sure all connections are tight. Re-tighten if necessary.

Thank you for your purchase  
Stores | catalog | [www.potterybarn.com](http://www.potterybarn.com)