

# P O T T E R Y B A R N

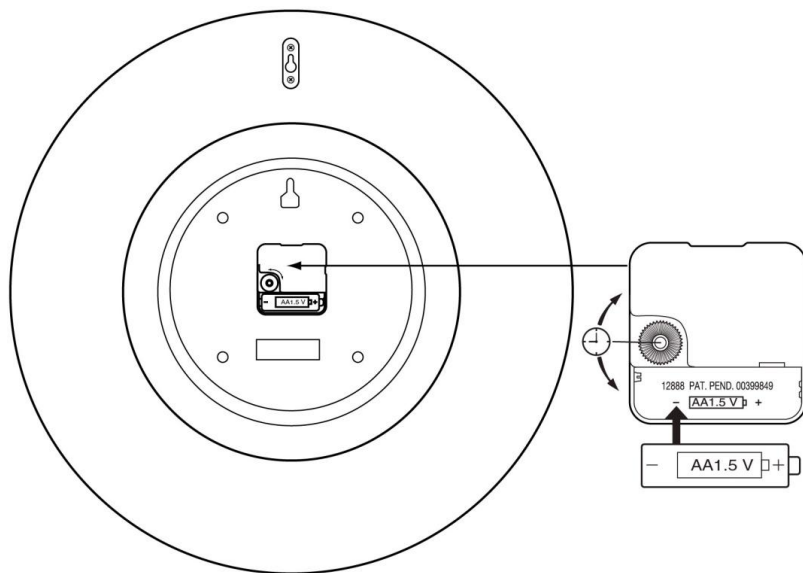
## Carter Wall Clock OPERATING INSTRUCTIONS

### BATTERY INSTALLATION

- Insert ONE new 1.5 volt "AA" battery (not included) into the battery compartment at the back of clock. Match the battery terminals to the polarity markings (+ / -) displayed inside the compartment.
- The clock's movement should start immediately.
- Should the clock fail to function properly, confirm that the battery is correctly inserted and if the clock still fails to operate, then replace the current battery with a new battery.

### Setting the Time:

- The Time set dial is located on the back of the clock just near battery compartment. Turn the Time Set dial in the direction indicated by the arrow until correct time is reached.



### Battery Safety Information:

Do not use rechargeable batteries to power this clock. Do not try to recharge non-rechargeable batteries. Never short circuit batteries. Spent batteries must be removed from the clock promptly. To avoid explosion or leakage, do not dispose of battery in a fire or attempt to recharge standard or alkaline battery. Please dispose of battery safely according to the battery manufacturers' instructions or recycle battery per state and local codes. If battery leakage occurs and any such leaked material comes in contact with the skin or eyes, wash immediately with plenty of water. Battery should be handled under adult supervision. If this clock is not to be used for a long period of time, remove the battery to prevent injury or product damage caused by possible battery leakage.

### MOUNTING INSTRUCTION

**Hardware Included:** (1) Anchor (1) Screw



**Note:** The hardware included with this item is meant for drywall or stud mounting only. For other wall types, please consult your local hardware store for assistance in selecting the appropriate hardware.

### Tools Required:

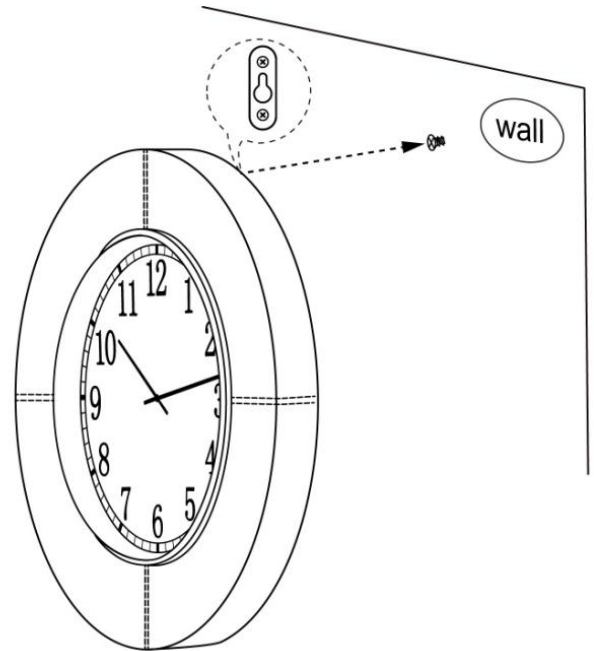
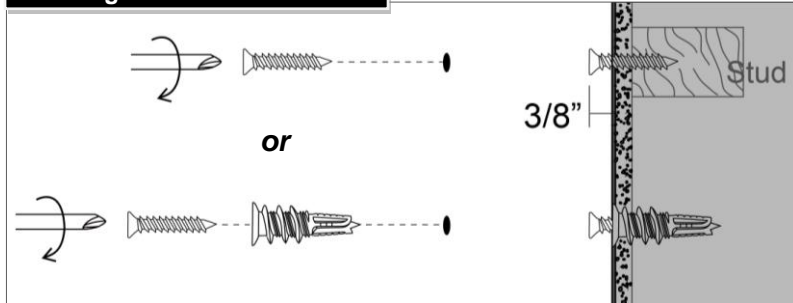
Philips Screwdriver, Pencil, Stud-Finder

The clock includes one keyhole bracket on the back for wall mounting.

1. With the help of another person, hold the clock against the wall at a desired mounting location. Using a pencil, mark a point on the wall at the top of the clock. The keyhole position is about 2 inches lower from the top of the clock, so we need to remark the point with 2 inches downward to match this position. Set the clock aside.

2. Use a stud-finder to determine if the mark of Step (1) happens to align with a wall stud or not. If it does, do not use the anchor as the provided anchor cannot penetrate wood studs. In this instance, use a Phillips screwdriver to secure a screw directly into the wall and stud at that mark. Rotate the screw clockwise until the screw head is about 3/8 inch from the wall.
3. If the mark does not align with a wall stud, first install an anchor. To install the anchor, use a Phillips screwdriver to engage an anchor and then position the anchor tip against the wall at that mark. Rotate the anchor clockwise as you firmly push it into the wall. The anchor will drive itself into the wall like a large screw. Continue rotating until the flange of the anchor becomes even with the wall surface. Do not over-tighten.
4. Insert a screw into the installed anchor and use the screwdriver to rotate the screw clockwise until the screw head is about 3/8 inch from the wall.
5. Lift the clock against the wall and engage the keyhole bracket with the protruding screw head. Gently lower the clock so that the screw supports its full weight.

#### Mounting Hardware Installation



#### CARE INSTRUCTIONS

- Wipe with soft, dry cloth.
- Do not use abrasive or strong chemical household cleaners.

**Thank you for your purchase!**  
stores | catalog | [www.potterybarn.com](http://www.potterybarn.com)