

P O T T E R Y B A R N

Saratoga Bedside Lamp Assembly Instructions

Important Safety Instructions:

- These instructions are provided for your safety. It is very important that they are read carefully and completely before beginning the assembly and installation of this lighting fixture.
- This portable luminaire has a polarized plug (one blade is wider than the other) as a safety feature to reduce the risk of electric shock. This plug will fit in a polarized outlet only one way. If the plug does not fit fully in the outlet, reverse the plug. If it still does not fit, contact a qualified electrician. Never use with an extension cord unless plug can be fully inserted. Do not alter the plug. Do not attempt to defeat this safety feature.
- This fixture has been rated for up to one (1) **60-Watt maximum TYPE A standard incandescent light bulb** (not included) or one (1) **13-Watt compact fluorescent light bulb** (not included) or one (1) **9-watt LED light bulb** (included). To avoid the risk of fire, **DO NOT EXCEED THE RECOMMENDED LAMP WATTAGE.**
- Use with approved Pottery Barn shades only, having a minimum opening diameter of 3-1/2 inches and a minimum lamp-to-shade spacing of 3 inches.

The lampshade is not included for the lighting fixture and can be used with a lampshade that have the open top and open bottom construction.

- This lamp is meant for indoor use.
- **Save these instructions.**

WARNING:

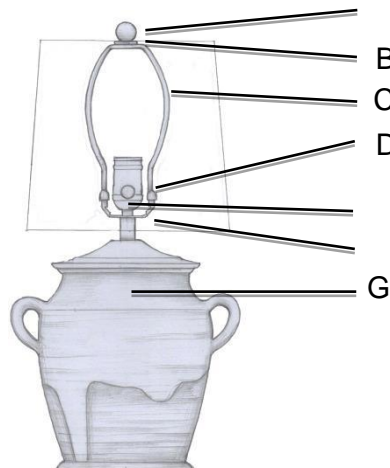
- **To reduce the risk of fire, electrical shock or personal injury, always turn off and unplug the light fixture and allow it to cool prior to replacing the light bulb.**
- **Do not touch bulb when fixture is turned on. Do not look directly at lit bulb.**
- **Keep flammable materials away from lit bulb.**

Pre-assembly:

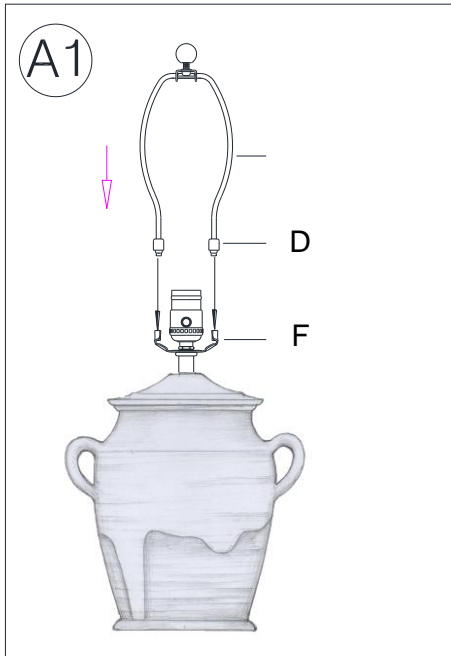
- Remove all parts and hardware from box along with any plastic protective packaging.
- Do not discard any contents until after assembly is complete to avoid accidentally discarding small parts or hardware.

Parts Included:

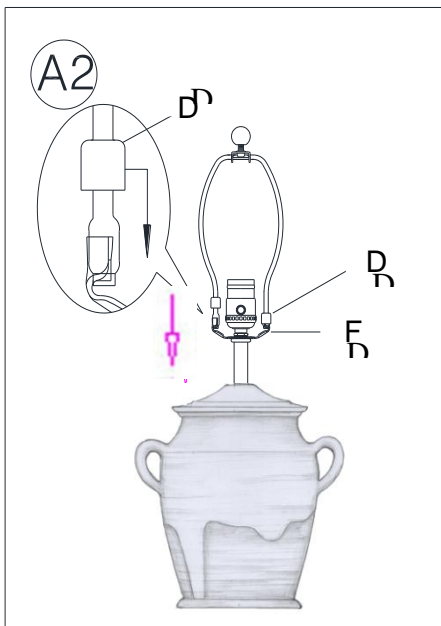
- (A) Finial (1)
- (B) Harp Top (1)
- (C) Harp (1)
- (D) Harp Caps (2)
- (E) Socket (1)
- (F) Saddle (1)
- (G) Lamp Base (1)



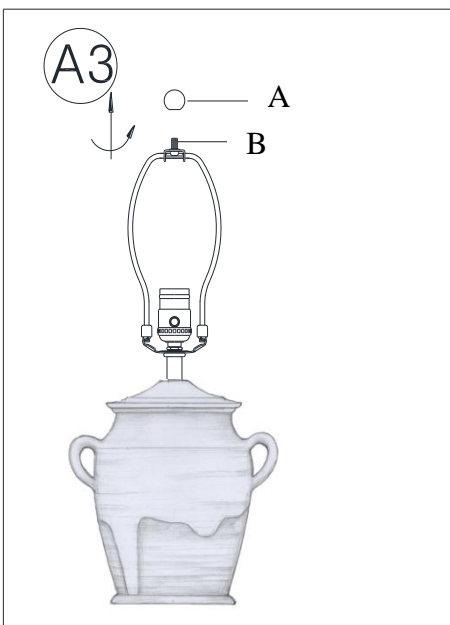
To Assemble:



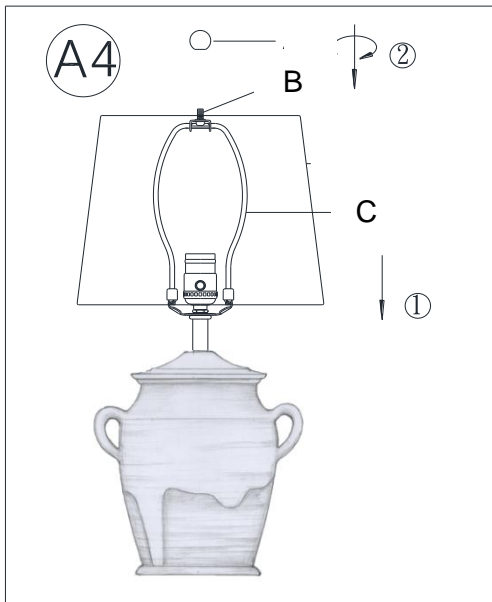
Raise the Harp Caps (D) and insert the bottom ends of Harp (C) into the Saddle (F)



Lower the Harp Caps (D) until they cover the two-pronged Saddle (F)

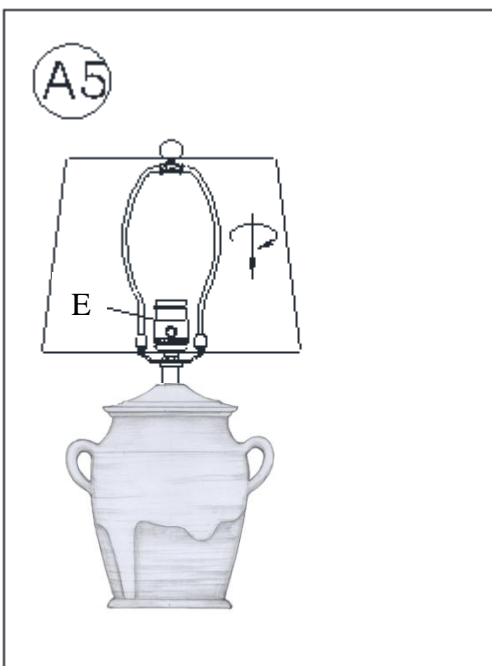


Unscrew the Finial (A) from the Harp Top (B)



1. Place the Shade (Not Included) over the Harp (C) making sure the Harp Top (B) extends through the top ring of Shade (Not Included).

Secure the Shade (Not Included) by turning the Finial (A) onto the Harp Top (B).A



Insert the specified light bulb into the Socket (E). DO NOT EXCEED THE SPECIFIED WATTAGE.

To replace the burned-out 9 watt LED light bulb please follow these steps:

1. Turn off and unplug the light fixture and allow it to cool prior to replacing the light bulb.
2. Unscrew the burned-out light bulb.
3. Insert one (1) **60-Watt Type A standard incandescent light bulb** or one (1) **13-Watt compact fluorescent light bulb** or one (1) **9-watt LED light bulb**.

Care instructions:

- Wipe clean with a soft, dry cloth or static duster.
- Always avoid the use of harsh chemicals or abrasive cleaners as they may cause damage to the fixture's finish

Thank you for your purchase
 Stores | catalog | www.potterybarn.com
 USA 1.888.779.5176