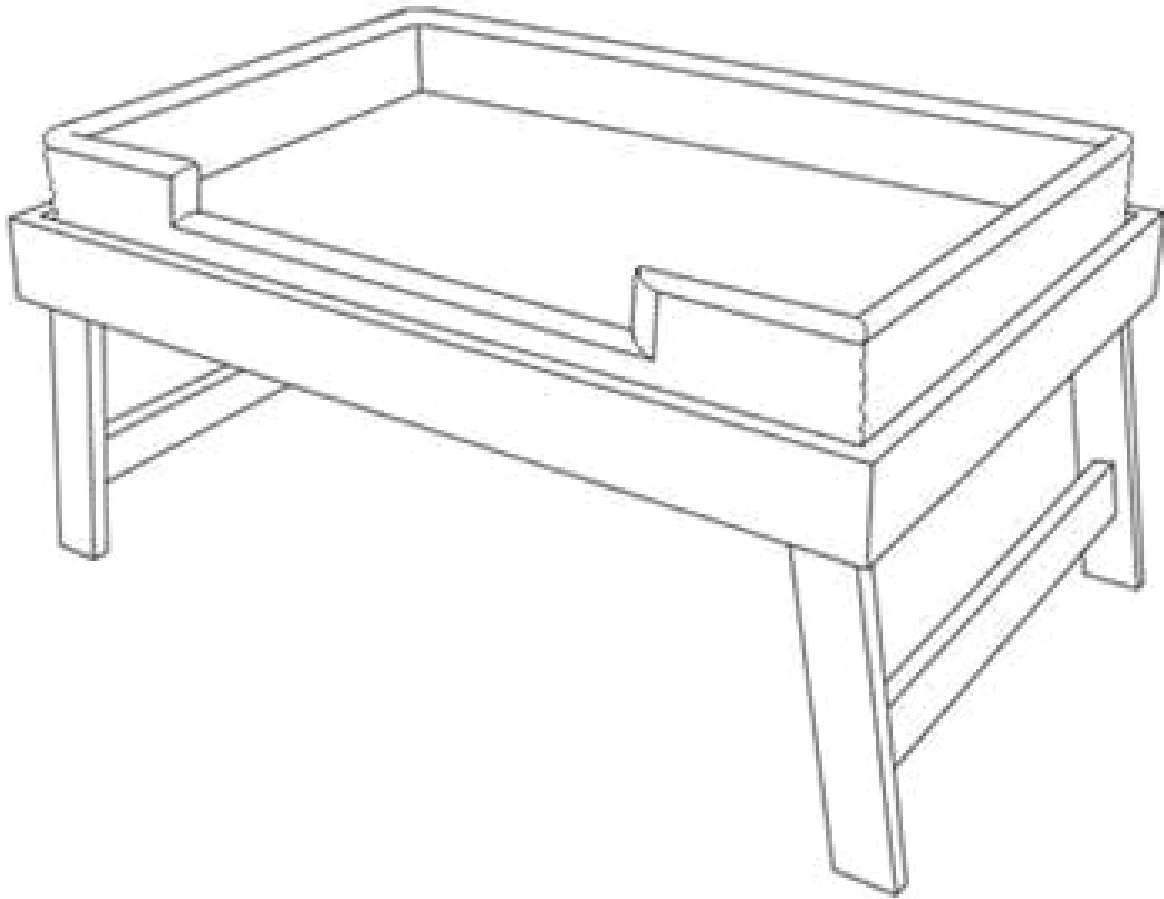


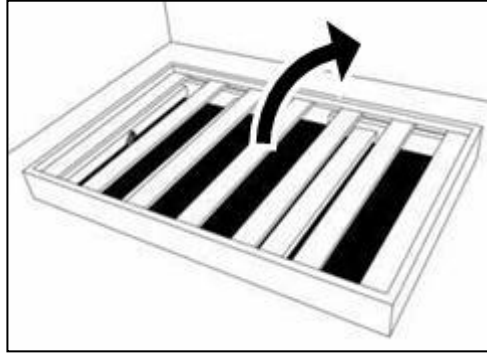
POTTERY BARN



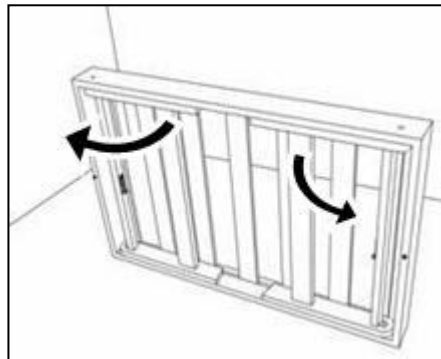
Wood and Woven Breakfast Lap Tray

Assembly Instruction Steps:

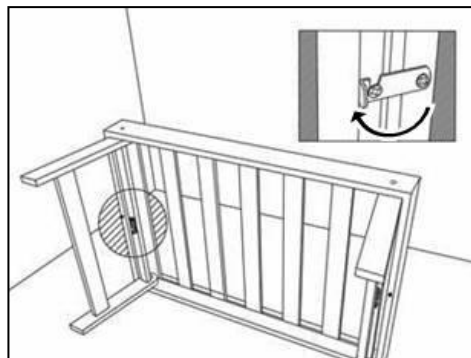
1. Pull up the tray sideways to pull out the right and left legs of the tray stand.



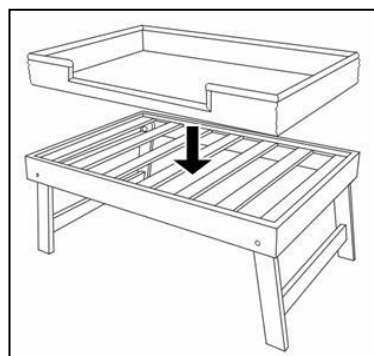
2. Pull out the legs of the tray stand.



3. Once legs are pulled out of the tray stand, ensure to securely lock the latch on the center of the upper legs of the base/stand to make it firm.

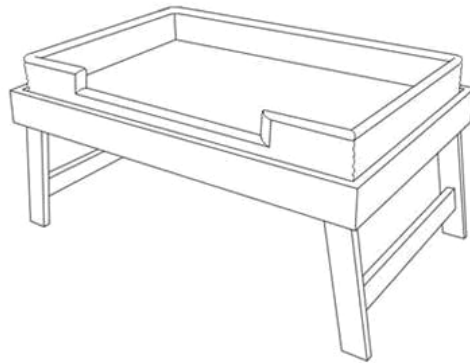


4. After locking the latch, put the stand on its functional position.



5. Ensure the legs stands tight and firm.

6. Assembly is complete. Put the tray on top (Both wood stand and tray are multi – functional).



Care Instructions:

- Dust often using a clean, soft, dry and lint-free cloth.
- Blot spills immediately and wipe with a clean, slightly damp cloth.
- We do not recommend the use of chemical cleansers, abrasives or furniture polish on our lacquered finish.
- Hardware may loosen over time. Periodically check to make sure all connections are tight.
Re-tighten if necessary.

Thank you for your purchase
Stores | catalog