

P O T T E R Y B A R N

CLASSIC METAL CHANDELIER Octavia Assembly and Installation Instructions

CAUTION:

- DO NOT ASSEMBLE THE GLASS SHADE BEFORE MOUNTING THE CANOPY TO THE CEILING.
- BEFORE INSTALLING FIXTURE, MAKE SURE THE POWER TO THE CIRCUIT IS TURNED OFF AT THE MAIN FUSE BOX / CIRCUIT BREAKER UTILITY BOX.

Important Safety Instructions:

- These instructions are provided for your safety. It is very important that they are read carefully and completely before beginning the assembly and installation of this lighting fixture.
- We strongly recommend that a professional electrician install all direct wire fixtures.
- THIS PRODUCT MUST BE INSTALLED IN ACCORDANCE WITH THE APPLICABLE INSTALLATION CODES BY A PERSON FAMILIAR WITH THE CONSTRUCTION AND OPERATION OF THE PRODUCT AND THE HAZARDS INVOLVED.
- The lighting fixture is meant for indoor use. It must be connected only to 3-wire, single-phase electrical supply systems (provided with Ground wire or equivalent protection system).
- For your safety, it is strongly recommended that two people install the lighting fixture.
- This fixture has been rated for up to Ten (10) 40-watt maximum TYPE B standard incandescent light bulb (not included) or Ten(10) 9-watt compact fluorescent light bulb (not included) or Ten (10) 4.5-watt LED light bulb (not included). To avoid the risk of fire, do not exceed the recommended wattage.
- The lighting fixture is meant for indoor use, SUITABLE FOR DAMP LOCATION.
- Save these instructions.

WARNING:

- This lighting fixture contains lead, a chemical known to the State of California to cause cancer, birth defects and other reproductive harm. Wash hands after installing, handling, cleaning or otherwise touching this fixture.
- To reduce the risk of fire, electrical shock or personal injury, always turn off light fixture and allow it to cool prior to replacing light bulb.
- Do not touch bulb when fixture is turned on. Do not look directly at lit bulb.
- Keep flammable materials away from lit bulb.

Pre-assembly:

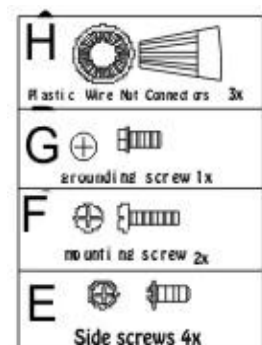
- Remove all parts and hardware from box along with any plastic protective packaging.
- Do not discard any contents until after assembly is complete to avoid accidentally discarding small parts or hardware.
- For your safety and convenience, assembly by two people is recommended.

Parts Included:

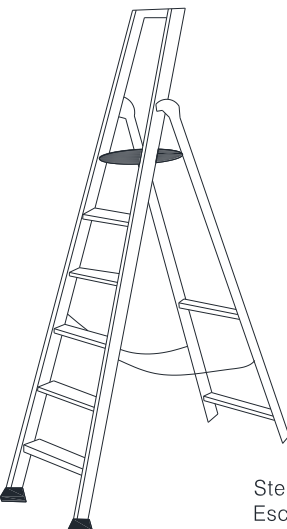
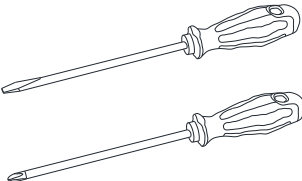
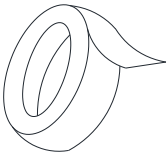
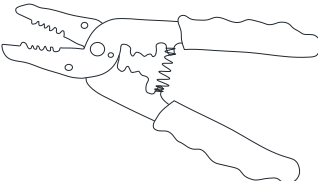
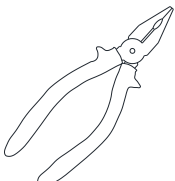
- (2) Light Fixture (A)
- (1) Mounting Plate (C)
- (10) Sockets (I)
- (4) Extenders (K)
- (1) Canopy (B)
- (1) Canopy Ring (Y)
- 4) Extenders (M)
- 4) Extenders (N)
- (1) Glass finial (O)

Hardware Enclosed:

- (2) Canopy Side Screws (E)
- (1) Green Ground Screw (G)
- (3) Plastic Wire Nut Connectors(H)
- (2) J-Box Mounting Screws (F)
- (4) Cord Grip (J)
- (1) Hex Nut (P)

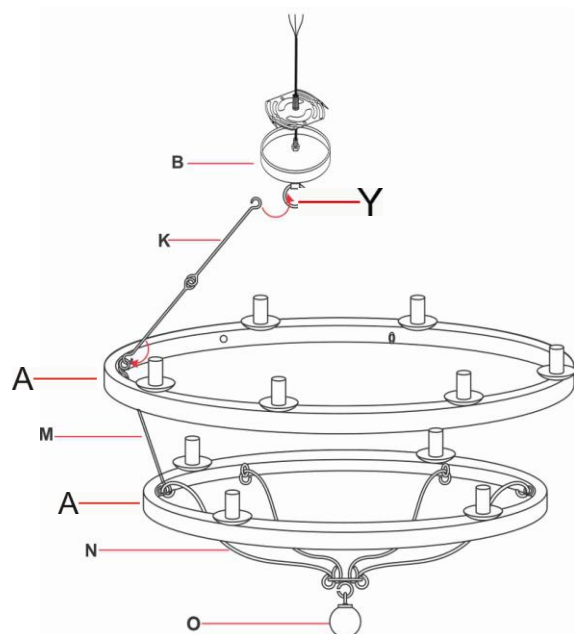
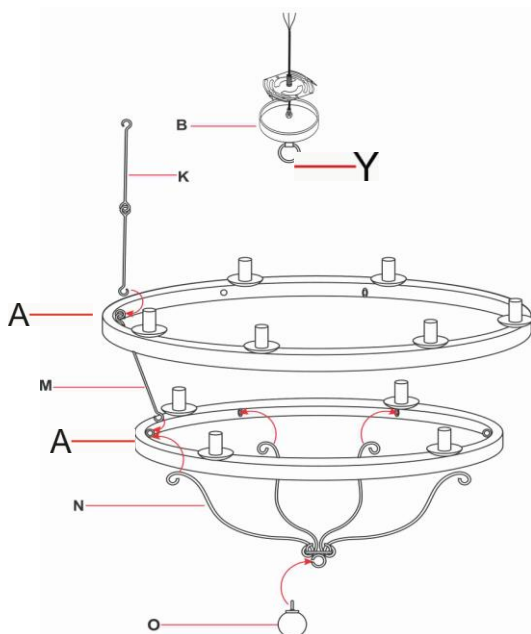


Tools Required: (not included): Step Ladder, Phillips Head & Flat Blade Screwdrivers, Wire Cutter/Stripper & Electrical Tape.

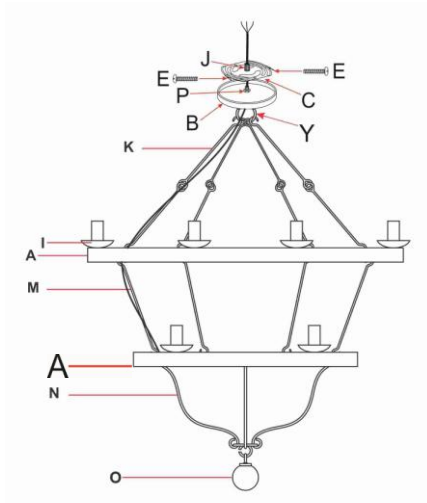
 <p>Step Ladder Escabeau Escalera</p>	 <p>Phillips Head, Flat Blade Screwdrivers Tournevis à tête Phillips et à tête plate Destornilladores Cabeza Phillips y Destornilladores Cabeza Plana</p>	 <p>Electrical tape Ruban isolant Cinta Eléctrica.</p>
	 <p>Wire Cutter/Stripper Pince coupe-fil/ à dénudé Cortador de Cable</p>	 <p>Plier Pince Alicates</p>

Assembly & Installation Instructions:

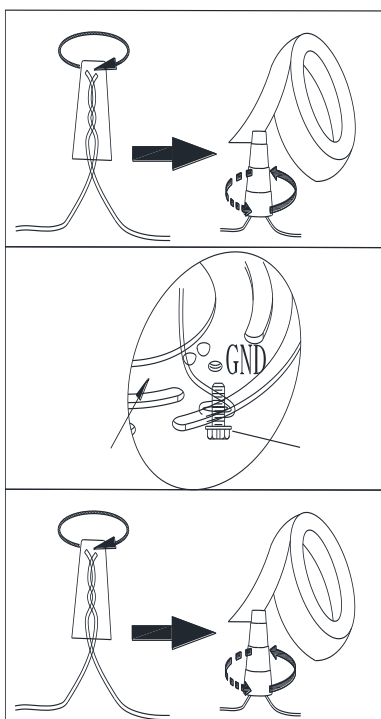
- SHUT OFF THE MAIN ELECTRICAL SUPPLY FROM THE MAIN FUSE BOX/CIRCUIT BREAKER!**
- Carefully unpack all fixture parts and hardware and lay out them on a clear workspace.
- Insert one end of the extenders (K) into the attached rings of light fixture (A) as per the illustration and second end to the Canopy Ring (Y). Similarly attached balance three extenders. Then Insert one end of the extenders (M) into the attached rings of light fixture (A) with both sides as per the illustration. Similarly attached balance three extenders. One end of extenders (N) is already preassembled & the second end attached to rings of light fixture (A) as per illustration. Finally attach the Glass finial with extenders (N) rings.



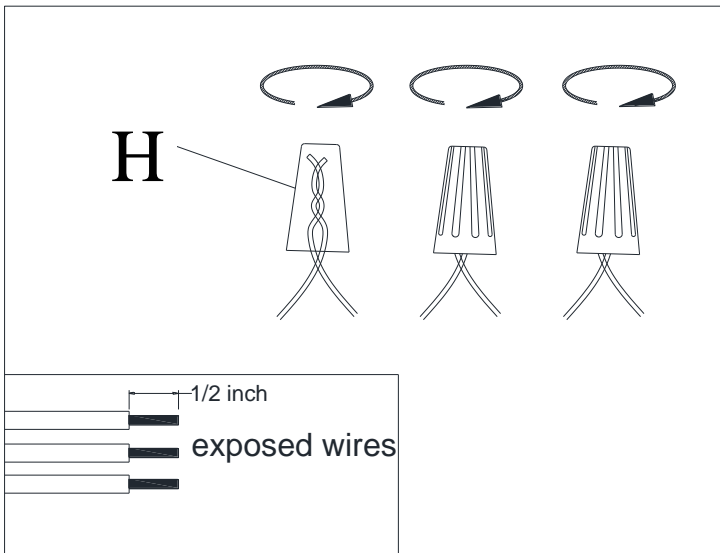
- Separate Mounting plate (C) from Canopy (B) by removing the canopy Side Screws (E). Do not discard canopy side screws as these will be used later.



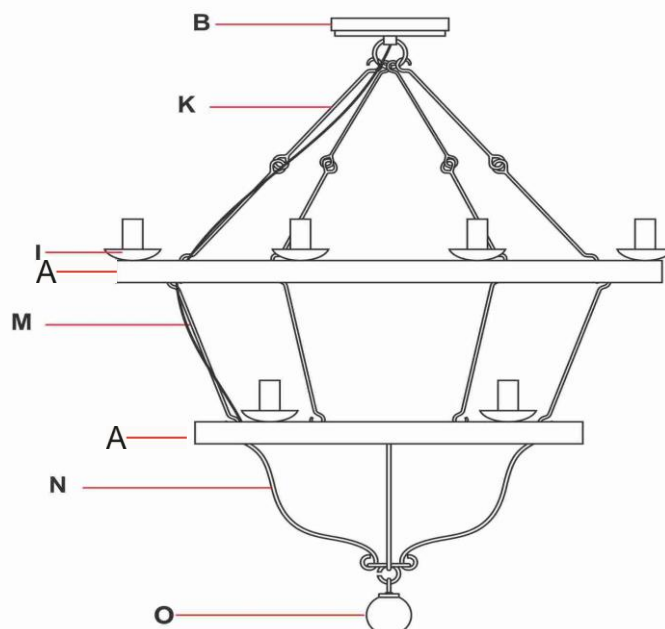
5. Gently pull existing wire out from the ceiling junction box and allow wires to hang. The HOT or LIVE wire is usually black. The NEUTRAL wire is usually white. Check to see if there is a ground wire that is usually green or green with a yellow stripe or exposed copper metal wire. If needed, use a pair of wire strippers to remove about 1/2 inch of insulation from each wire.
6. Carefully inspect the fixtures wires. The NEUTRAL FIXTURE WIRE is white. The HOT FIXTURE WIRE is black and the green wire is the GROUND WIRE. If you have any doubt and cannot identify the power-supply wires with confidence, then we recommend that you ask an electrician and that you not continue with the installation.
7. Insert the chandelier wires through the center opening of the Mounting plate (C).
Note: Hex Nut (P) and Cord Grip (J) are shipping preassembled with the mounting plate and customer need not to open or reassemble it during assembly.
8. Attach the GROUND WIRE from the fixture to the GROUND JUNCTION BOX WIRE from the ceiling outlet junction box (J-box) (usually green insulation or bare wire). Fasten each together with a Plastic Wire Nut Connector (H) by twisting the connector in a clockwise direction and wrap the connection with electrical tape. Be sure that no wire strands are exposed. If your ceiling outlet junction box DOES NOT have a GROUND WIRE, be sure to insert the Green Ground Screw (G) into the Mounting plate (C) marked as "GND", facing inward and wrap the fixture's ground wire around the Green Ground Screw (G). Tighten screw to clamp ground wire between ground screw head and Mounting plate (C). **IT IS IMPERATIVE THAT THE JUNCTION BOX IN YOUR HOME BE PROPERLY GROUNDED!**



- Connect the NEUTRAL FIXTURE WIRE to the NEUTRAL JUNCTION BOX WIRE (usually white insulation). Fasten each together with a Plastic Wire Nut Connector (H) by twisting the connector in a clockwise direction and wrap the connection with electrical tape. Be sure that no wire strands are exposed.



- Connect the HOT FIXTURE WIRE to the HOT JUNCTION BOX WIRE (usually black insulation). Fasten each together with a Plastic Wire Nut Connector (H) by twisting the connector in a clockwise direction and wrap the connection with electrical tape. Be sure that no wire strands are exposed. **DO NOT REVERSE THE HOT AND NEUTRAL CONNECTIONS OR SAFETY WILL BE COMPROMISED.**
- Check the wiring connections and if all looks good, gently tuck the wire connections neatly into the ceiling junction box.
- Attach the Mounting plate (C) to the ceiling outlet box using the two J-box Mounting Screws (F). Align the slots of the Mounting plate (C) with the two threaded holes located on the J-Box. Use a screwdriver to tighten each screw with a screwdriver until the Mounting plate (C) is firmly secured to the J-Box.
- Position Chandelier canopy (B) over the Mounting plate (C), aligning the two holes in the Mounting plate (C) with the two holes on the side of the Chandelier Canopy (B).
- Insert the 2 Canopy Side Screws (E) and tighten each with a screwdriver until secure.
- Insert Ten (10) **40-watt maximum TYPE B standard incandescent light bulbs** (not included) or Ten (10) **9-watt compact fluorescent light bulbs** (not included) or Ten (10) **4.5-watt LED light bulb** (not included) into the sockets (I) **DO NOT EXCEED THE SPECIFIED WATTAGE.**



16. Restore power to junction box and test fixture.
17. Assembly and installation is complete.

Care instructions:

- Wipe clean with a soft, dry cloth or static duster.
- Always avoid the use of harsh chemicals or abrasive cleaners as they may cause damage to the fixture's finish.

