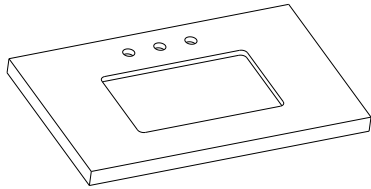


POTTERY BARN

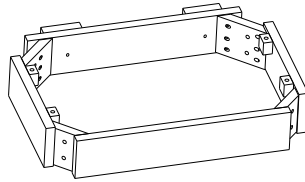
Abbott Single Console Assembly Instructions

- Please read all instructions before beginning assembly.
- For your safety and convenience, assembly by two people is required.
- Use the parts and hardware lists to identify and separate each of the components included.
- Save all packing materials until assembly is complete to avoid the accidental discarding of smaller parts or hardware.
- **Please note that sink is sold separately.**

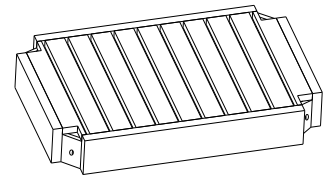
PARTS INCLUDED:



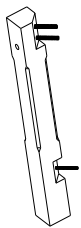
(1) Cement top - A



(1) Top apron frame -B



(1) Shelf - C



(1)Left front leg -D



(1) Right front leg -E



(2) Back leg-F



(1) Towel Bar -G

HARDWARE:



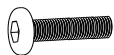
(12) Nuts (Ø 3/8" Dia)-a



(12) Spring Washer (Ø 3/8" Dia) -b



(12) Flat Washer (Ø 3/8") - c



(6)Short Bolt (Ø5/16 x 3/4"-Stainless Steel) -d



(6) Spring Washer (Ø5/16"-Stainless Steel) -e



(6) Flat Washer (Ø 5/16"-Stainless Steel) -f



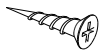
(4)Long Bolt (Ø 5/16" x 2-1/2") - g



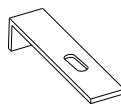
(4) Spring Washer (Ø5/16") -h



(4) Flat Washer (Ø5/16"x19mm) -i



(8) screws #8 x1 1/2") - j



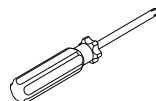
(6) L shape metal bracket (80x20x3.5mm) -k



(1) Wrench

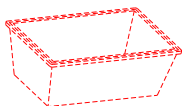


(1) Allen Wrench



(1) Phillips screw driver (not included)

PARTS NOT INCLUDED IN THIS SET:

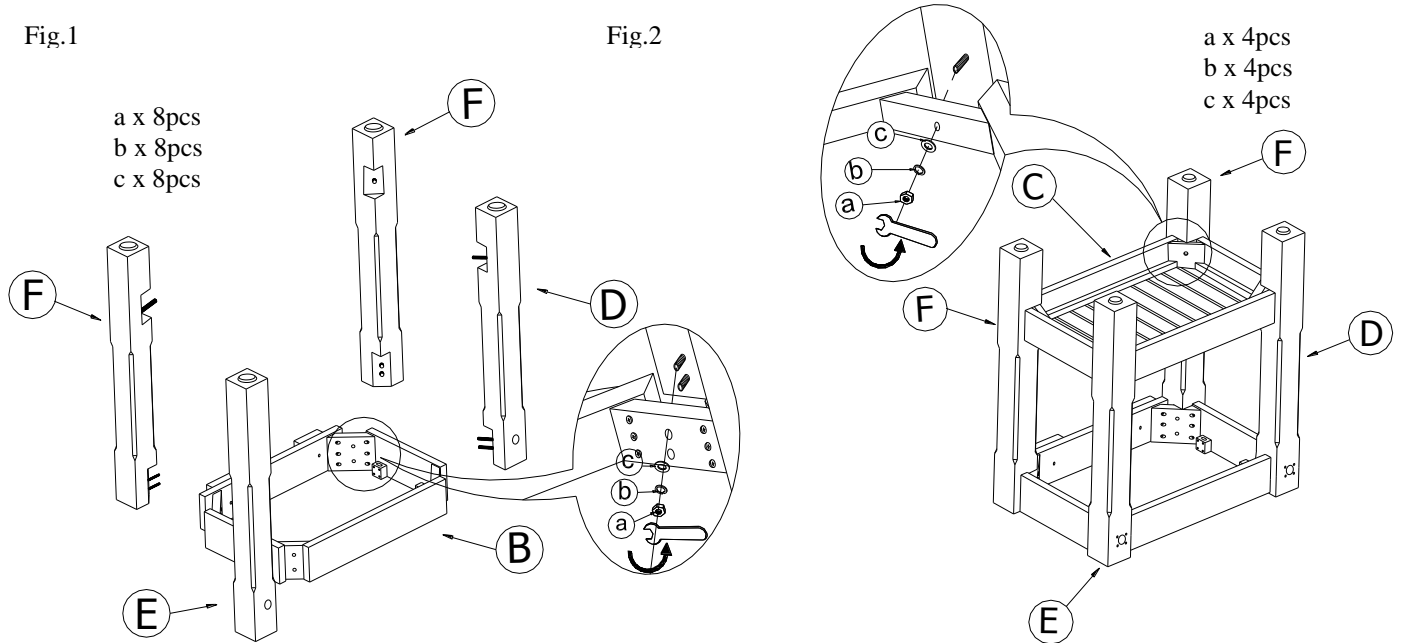


(1) Sink - H (sink dimensions 21-1/2" L x 14" W)

Assembly Instructions:

1. Carefully lay the parts on a carpeted or scratch-free surface.
2. Loosely attach the Left front leg (D), Right front leg (E) and Back leg (F) to the Top apron frame (B) using Nut (a), Lock washer (b) and Flat washer (c) with Wrench. **See Fig.1**
3. Attach Shelf (C) to the legs using Nut (a), Spring Washer (b) and Flat washer (c) with Wrench. Tighten all nuts securely by wrench, but do not over tighten the nuts. **See Fig.2**

Reminder: Leg D & E need to be assembled on the front side for towel bar.

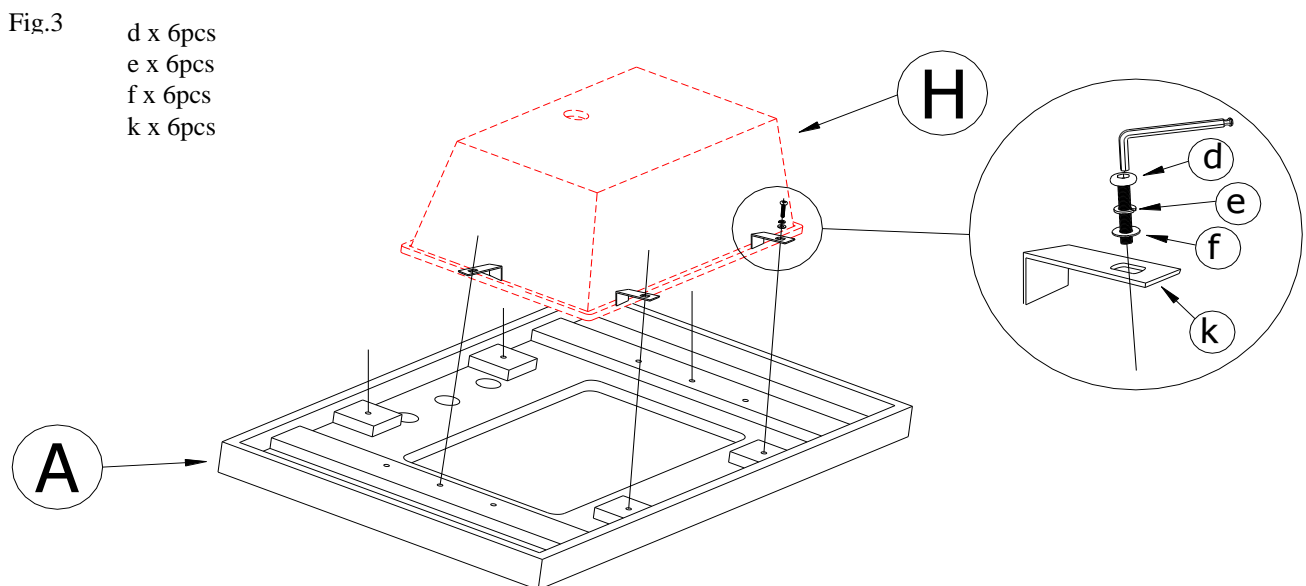


4. Attach the Sink (H) to the Cement Top (A) with L shape metal bracket (k) using Short bolt (d), Spring Washer (e) and Flat washer (f) with Allen wrench. **See Fig.3**

Reminder: When assembling sink, you must make sure drain hole is on the same side as holes in cement top.

Note: position the basin (A) squarely under the cut-out before fixing L shape brackets at this stage. Apply a continuous bead of high quality silicone or acrylic based bath sealant to the basin rim where it will contact the countertop.

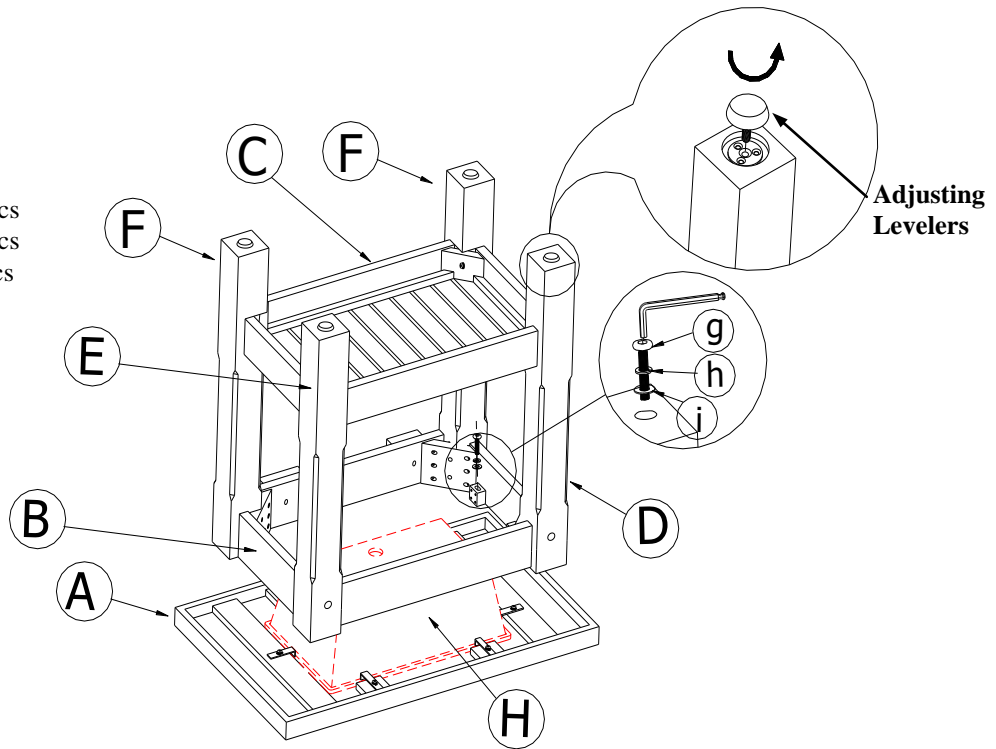
Do not use adhesives or adhesive sealants.



5. Attach the wood base to the Cement top using Long bolt (g), Spring Washer (h) and Flat washer (i) with Allen wrench. See Fig.4

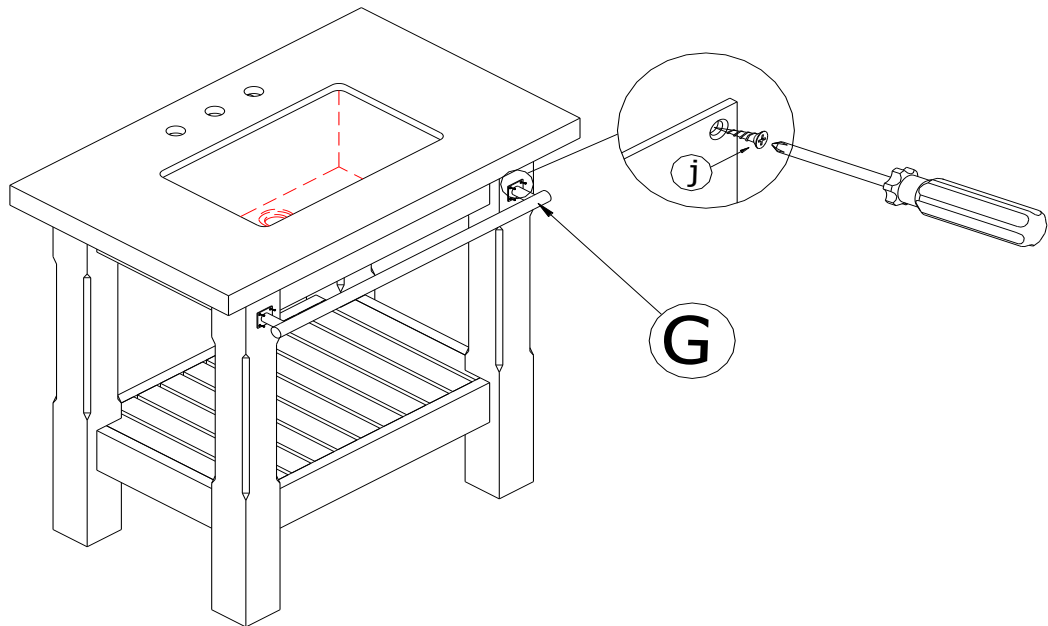
Fig.4

g x 4pcs
h x 4pcs
i x 4pcs



6. Grip the table firmly at each end and carefully turn upright. Attach Towel Bar (G) to the front of the wood base using Screw (j) with Philips screw driver. Assembly is now complete. See Fig.5

Fig.5



Adjusting Levelers:

Due to an uneven floor the furniture may not sit level due causing it to wobbles. If the piece wobbles, determine which corner does not touch the ground correctly. With two people follow these steps:

1. Carefully lift the item slightly to provide access to the levelers attached to the bottom. See Fig.4
2. Turn the levelers until adequate contact will be made with the floor. Gently set down the piece and check stability.
3. Repeat steps until furniture sits firmly on the ground.

Care Instructions:

This item is intended for indoor use only. To clean, use a damp cloth; wipe spills immediately.

Avoid the use of cleaners or abrasives as they may damage finish.

The use of trivets and coasters on tabletop is recommended to protect the table top.

thank you for your purchase.
stores | catalog | www.potterybarn.com