

P O T T E R Y B A R N

Apothecary Single Sink Console

PROFESSIONAL INSTALLATION REQUIRED- Contractor and Plumber needed for Installation

Important Note: Please read all instructions carefully and completely before beginning assembly.

Pre-Installation:

- Remove all parts and hardware from boxes along with any protective packaging. Identify each part and each piece of hardware included. Do not discard any contents until after installation is complete to avoid accidentally discarding small parts or hardware. Keep all parts out of the reach of children.
- A standard 8" spread faucet should be used with this Marble top console.

Note: The Carrera marble is fragile. In order to preserve its integrity, it is important to limit the amount of handling it gets. Due to the nature of this natural material, slight chipping or cracking may result with excessive handling or if placed on a hard surface.

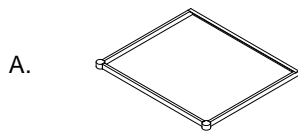
The Marble top, even when it is still packed, should never lie flat, except for when it is placed on top of the console or during unpacking. Please note that arrows on the package indicate the side to be placed up while storing.

Marble should be unpacked with extreme care. Once unpacked, the marble top should be placed directly on top of the console. If placing down, marble top should only be placed on its end and on a very soft, cushioned surface such as a rug or thick toweling.

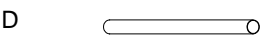
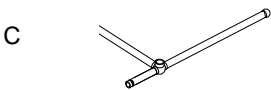
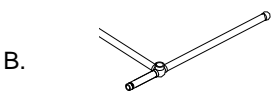
Note: Consoles usually need to be leveled and mounted to both wall and floor. Some hardware items needed for proper assembly and installation are not included: ex. shim, spacer, glue, epoxy, etc.

Note: Some cutting and drilling may be necessary to mount console base to wall or to shape shelves for under sink hardware or plumbing.

Parts Included:



Metal Frame (1pc)



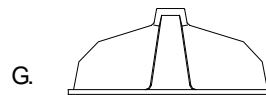
Round stainless tube (2pcs)



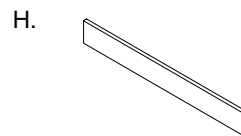
Wall flange (2pcs)



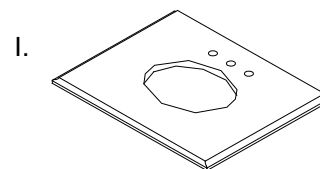
Metal cover (2pcs)



Ceramic Basin (1pc)



Back splash (1pc)





Marble Top


P O T T E R Y B A R N

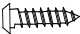
Apothecary Single Sink Console

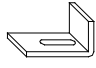
Hardware Included:


J. 
Set screw (6pcs)


K. 
Set 1/8" screw (2pcs)

L. 
Metal anchor (4pcs)


O. 
Tapping screw (7pcs)

P. 
"L" Bracket (4pcs)

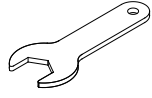
Q. 
Washer (4pcs)

R. 
Screw (4pcs)

Tools Required (Not included):

S. 
"L" tool (1pc)

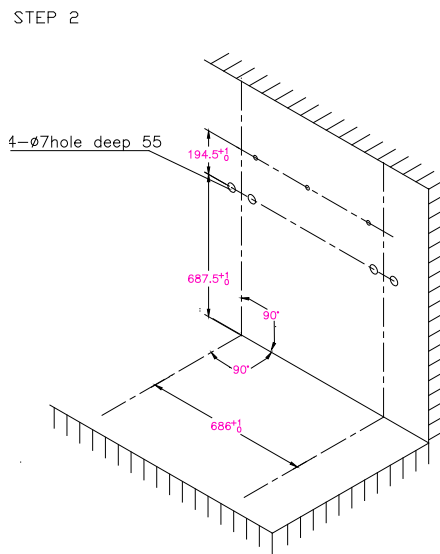
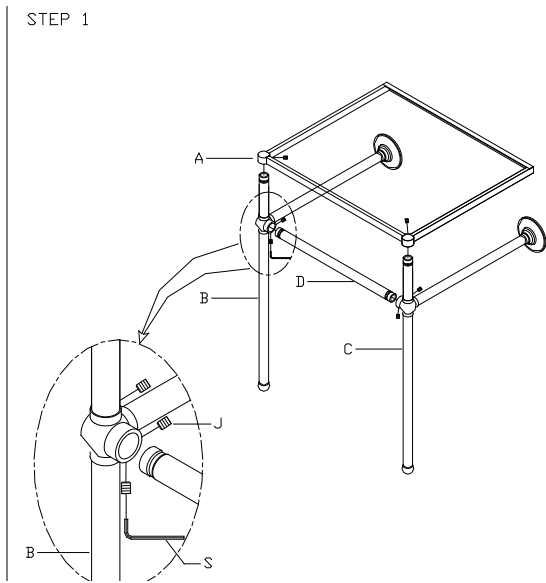

Phillips Head Screwdriver (1pc)


Open wrench (1pc)

POTTERY BARN

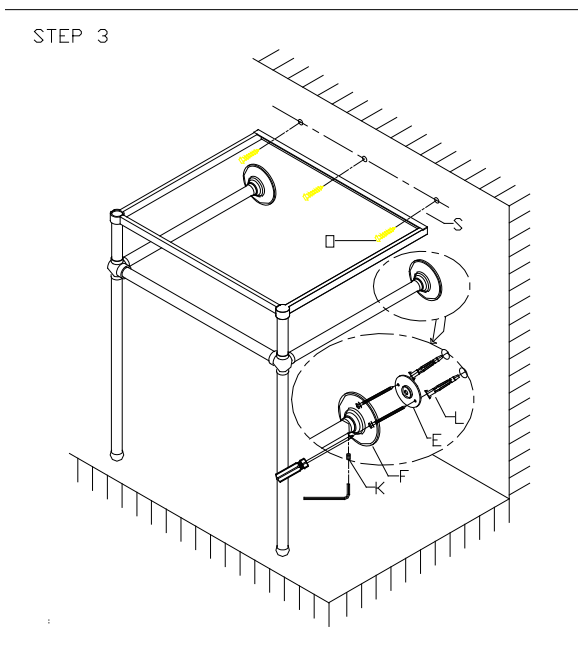
Apothecary Single Sink Console

Step 1 & Step 2:



Use tool S connect the B, C, D & J, sheathing F to the D, and lock it on the wall, then connect another end with B & C separately, at last leveling the A on the assembled metal frame, during the whole procedure, please make sure all the parts are included. Please drawing the position on the wall which have been showed on the <step 2>.

Step 3:



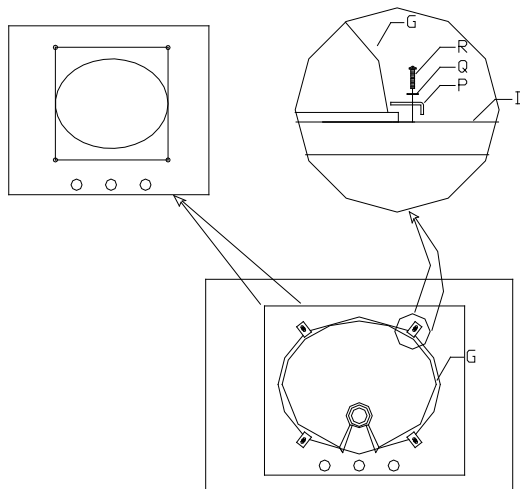
Place the assembled metal frame on the wall (make sure the parts match the position drawing made last step), Lock the under frame using L and adjust it to the right position, then use (O) to lock it tightly, during the whole procedure, please make sure all the parts are connected closely.

POTTERY BARN

Apothecary Single Sink Console

Step 4:

STEP 4



Carefully position the marble countertop (I) upside down on foam or soft padding to protect the surface. Position the basin (G) by placing over the marble top cutout. Carefully set the end into the predrilled holes at backside of countertop. Place the L shape brackets (P), washer and screw in succession. Secure by tightening the nut with a wrench.

Note: position the basin (G) squarely under the cutout before fixing L shape brackets tightly, don't tighten the brackets at this stage.

Apply a continuous bead of high quality sealant to the basin rim where it will contact the countertop

Note: Don't use adhesives or adhesive sealants.

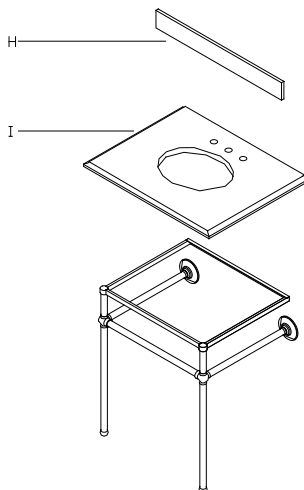
Draw the basin rim up to the countertop until it is snug.

CAUTION: TO AVOID BREAKAGE, DON'T OVER-TIGHTEN WITH WRENCH.

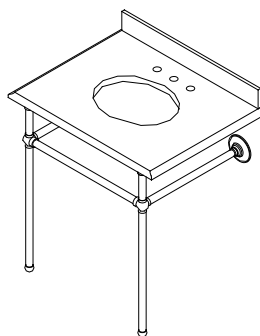
Immediately wipe away any excessive sealant.

Step 5 & 6:

STEP 5



STEP 6



Carefully lift up the marble Top (I) with basin attached to place it onto the metal frame. You can adjust the marble position to make sure it could be placed flat, then place the backslash (H) on the marble top and lie to the wall.

Marble Care:

To maintain the marble top:

Consult with a professional at your local home supply store regarding sealer. Re-apply sealer every two years.

Clean frequently with a clean soft damp cloth. Use a mild liquid detergent and warm water.

Avoid all types of abrasive cleaners and rough cleaning pads. Do not use any products that contain acids on the marble as this can cause the finish to dull. Liquid spills should be cleaned up promptly. Since marble is a natural stone consisting mainly of calcium carbonate it is sensitive to acid. Remove fruit juice or wine immediately from the surface of the marble top. We strongly advise avoiding all acidic cleansers.

POTTERY BARN

Apothecary Single Sink Console

Placing protective pads on the bottom of any heavy objects will help prevent scratching of the marble surface.
Do not place extremely heavy items on the marble top.

thank you for your purchase

stores | catalog | www.potterybarn.com