

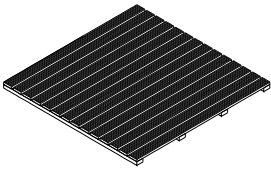
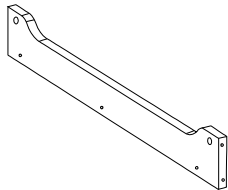
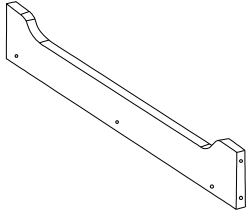
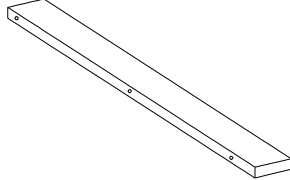
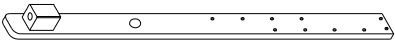

POTTERYBARN

ASSEMBLY INSTRUCTION FOR IT-59073

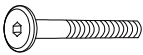
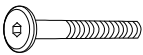
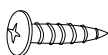
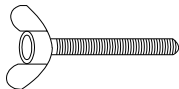

IMPORTANT SAFETY INSTRUCTIONS:

- Please read all instructions before beginning assembly. Save all packing materials until assembly is complete to avoid accidentally discarding smaller parts or hardware.
- For your safety and convenience, three or more people is recommended for assembly.
- Keep all parts and plastic bags out of the reach of children. For your safety and ease, assembly by two people is recommended.

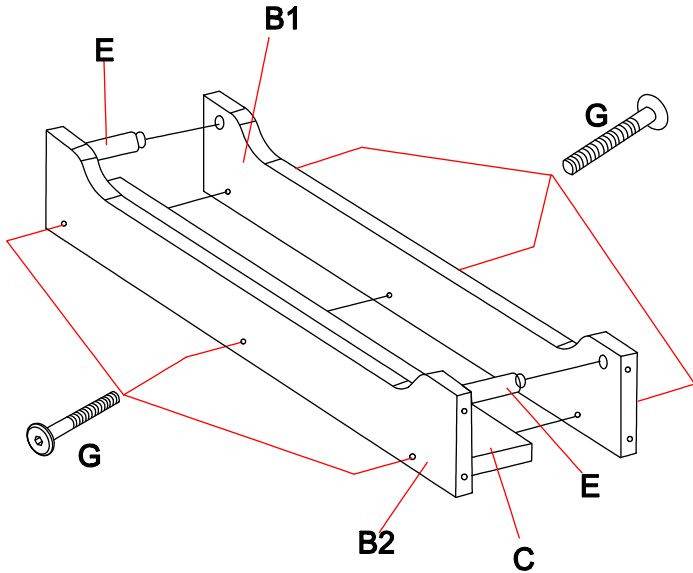
Parts Included :

<p>(1) Base Frame - A</p> 	<p>(1) Right Leg Frame - B1</p> 
<p>(1) Left Leg Frame - B2</p> 	<p>(1) Vertical Frame - C</p> 
<p>(1) Adjustable Frame - D</p> 	<p>(2) Dowel - E</p> 

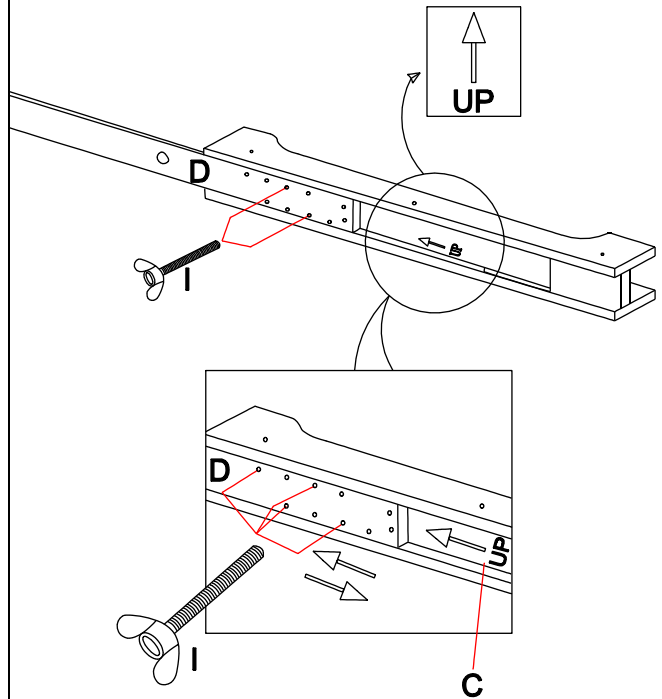
Hardware included :

<p>(4) 1-1/4" Bolt - F</p> 	<p>(6) 1" Bolt - G</p> 	<p>(2) 5/8" Screw - H</p> 
<p>(4) Wing Bolt - I</p> 	<p>(1) 4mm Allen Wrench - J</p> 	

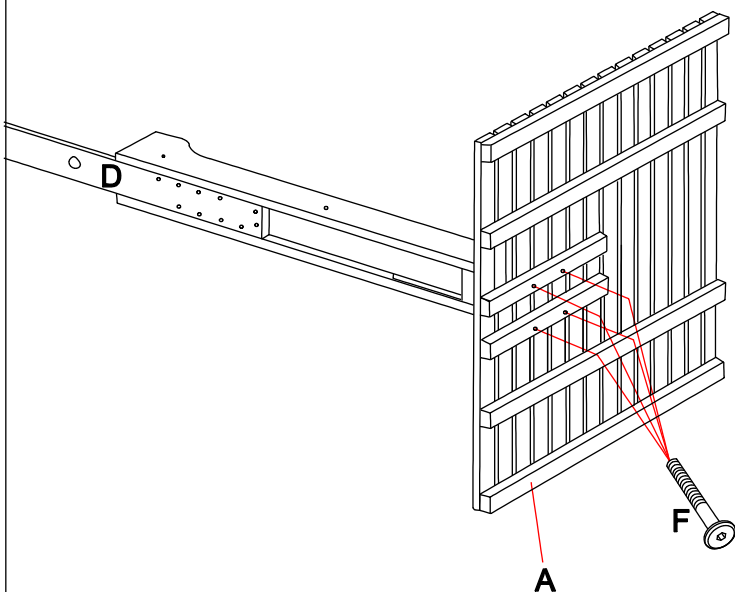
STEP 1: Attach all parts (B1、 B2、 C、 E) together using bolts (G) as shown in the below Diagram.



STEP 2: Attach adjustable frame (D) to the assembled support box using wing bolt (I).

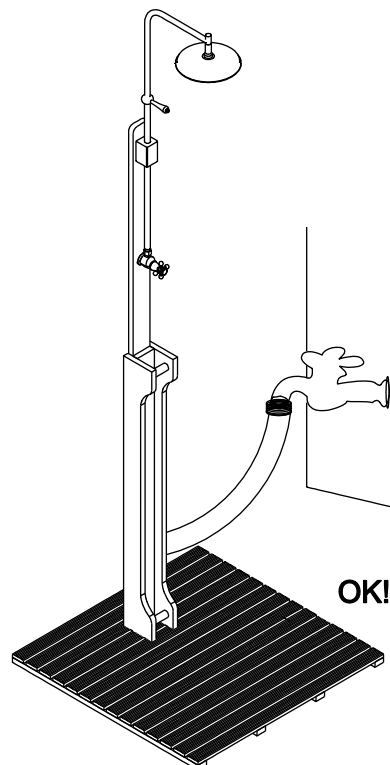


STEP 3: Attach base frame (A) to assembled support box using bolts (F).



STEP 4: Turn the assembled adjustable frame to an upright position. See shower assembly instructions on Page 3, Page 4 and Page 5 to complete assembling this shower.

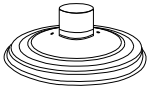
Assembly is now complete.



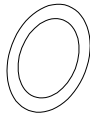
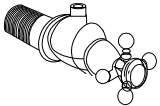
Shower assembly instructions

Parts list:

- (1) Shower Head - a (2) Black Rubber Washer - b (1) Hose Connector - c



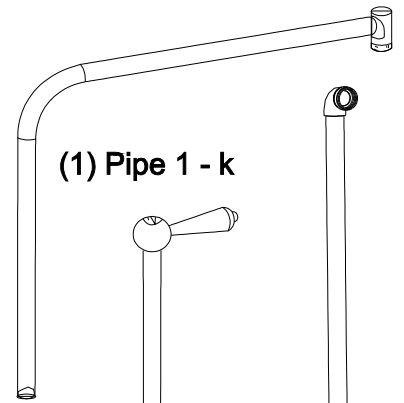
- (1) Faucet - d (1) Nut - e (1) Plastic Washer - f (1) Nut - g



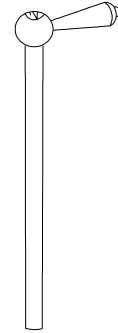
- (1) White "O" Ring - h (2) Black "O" Ring - i 2mm Allen Wrench (Provided) - j



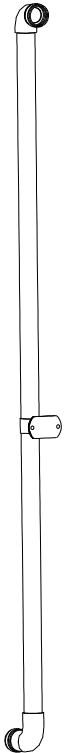
- (1) Shower Head Connector - n



(1) Pipe 1 - k



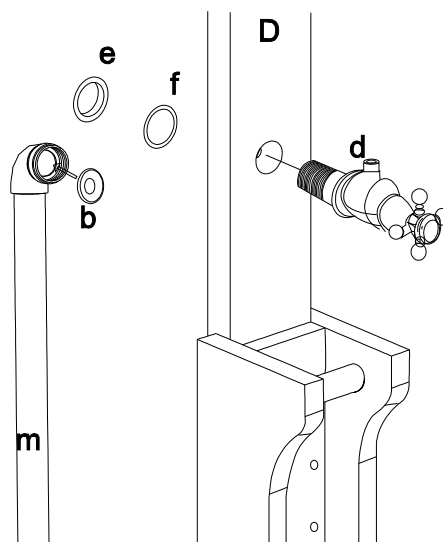
(1) Pipe 2 - l



(1) Pipe 3 - m

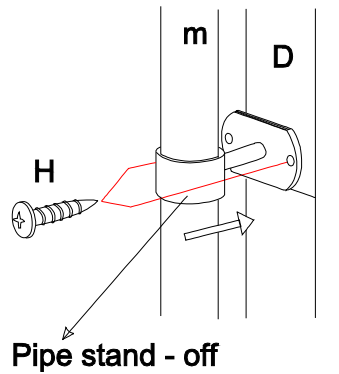
STEP a: Insert faucet (d) into adjustable frame (D), then fasten with 1pc plastic washer (f) and 1pc nut (e). See below Diagram.

STEP b: Insert black rubber washer (b) into ring connector at the end of pipe 3 (m), then connect and fasten it with faucet. As shown in above figure. See below Diagram.



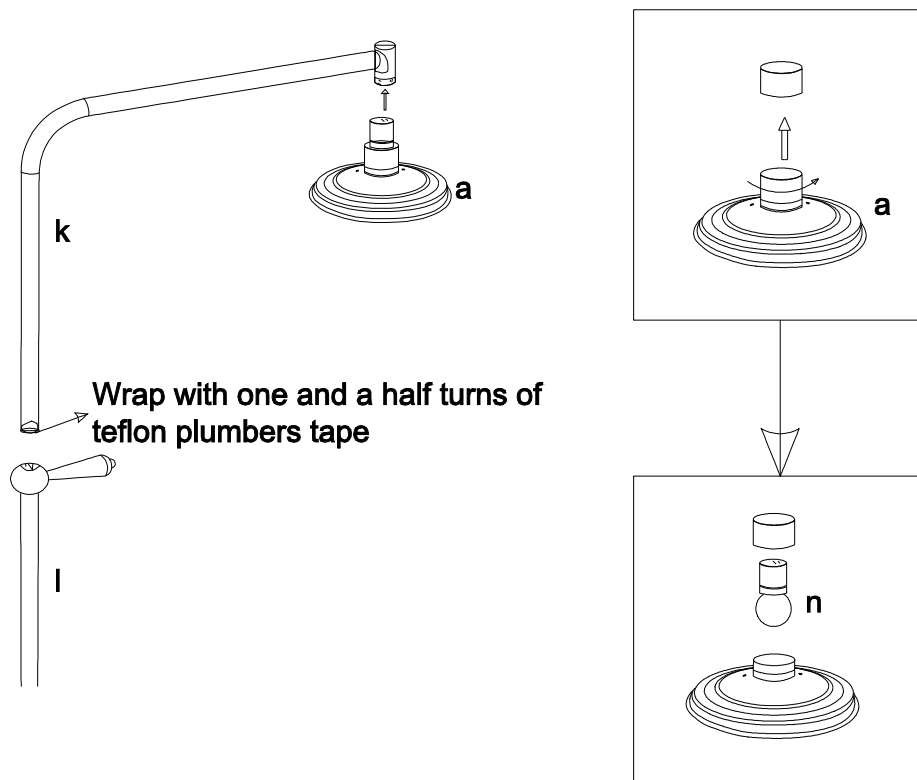
Shower assembly instructions

STEP c: Fix the pipe stand - off on adjustable frame (D) with 2 pcs 5/8" screws (H).



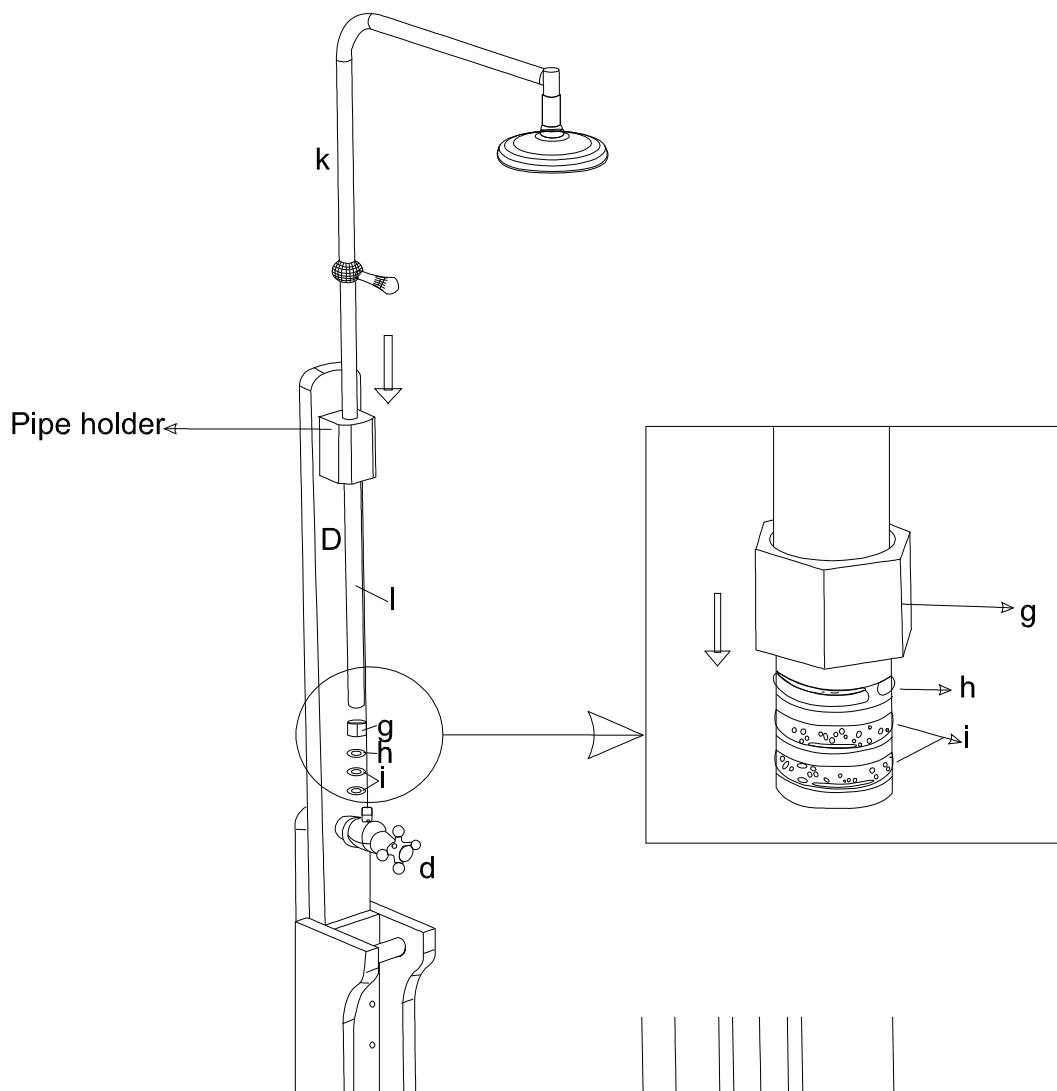
STEP d: Wrap teflon tape on lower end of pipe 1 (k), then screw it to pipe 2 (l).

Screw off shower head nut, put connector (n) between shower head and shower head nut, then screw down nut. Attach the shower head (a).



Shower assembly instructions

STEP e: Insert pipe 2 (l) into pipe holder on adjustable frame (D), then assemble faucet with 1pc nut (g), 1pc white plastic ring (h) and 2pcs black plastic ring(i).



STEP f: Insert rubber washer (b) into lower end of shower inlet fit hose connector with coarse thread into shower inlet fit 12mm tap adaptor to hose connector.

Connect garden hose.

